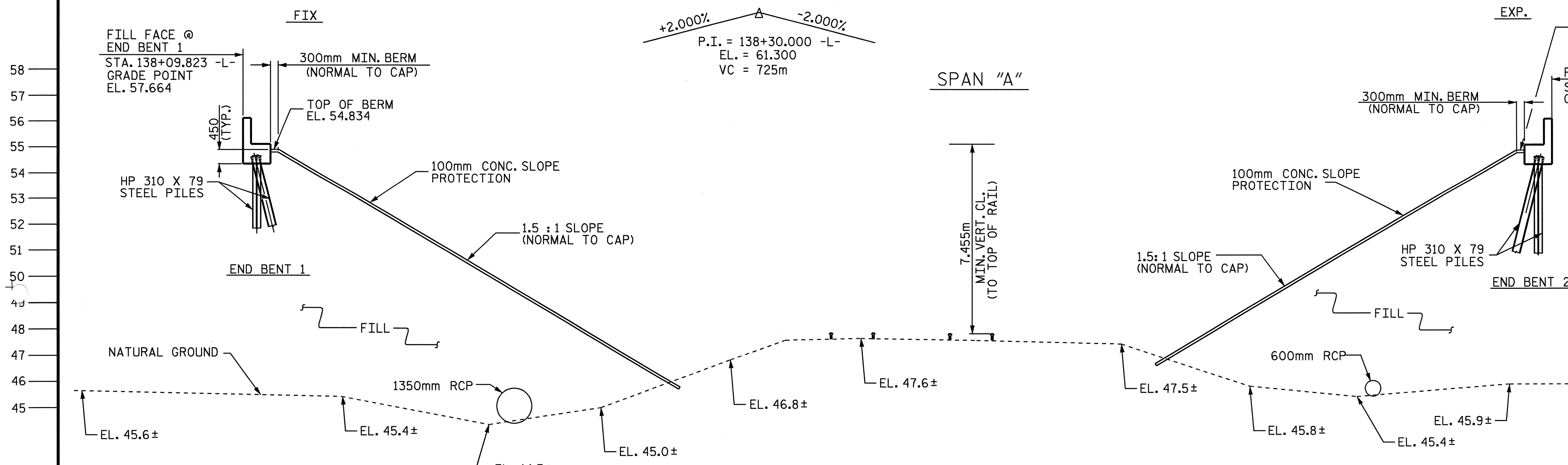
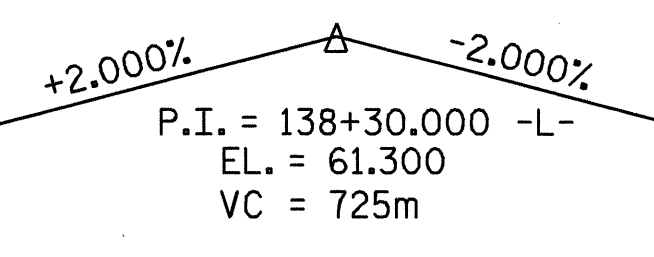
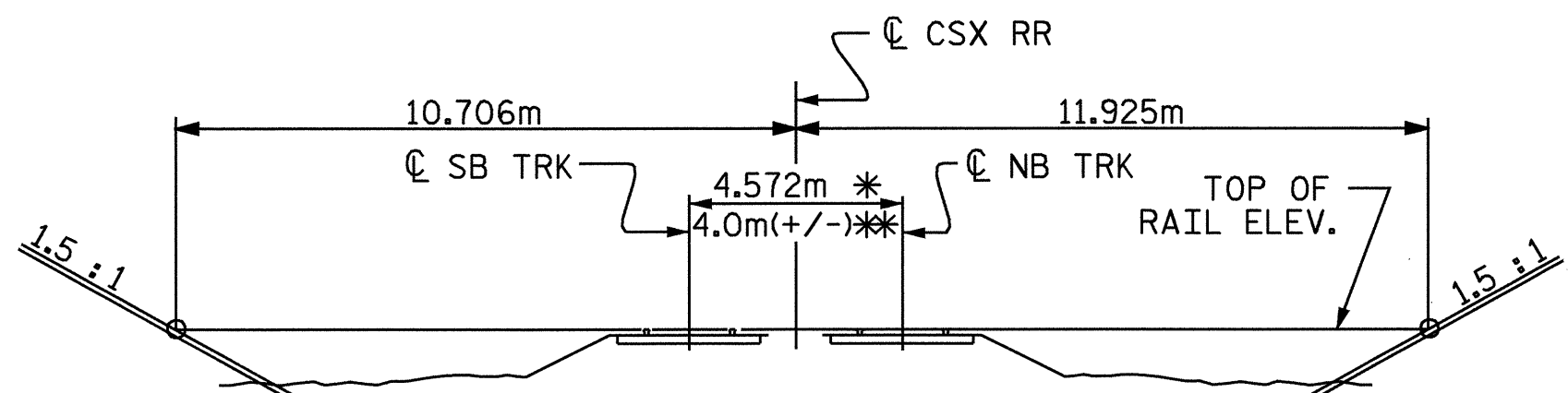
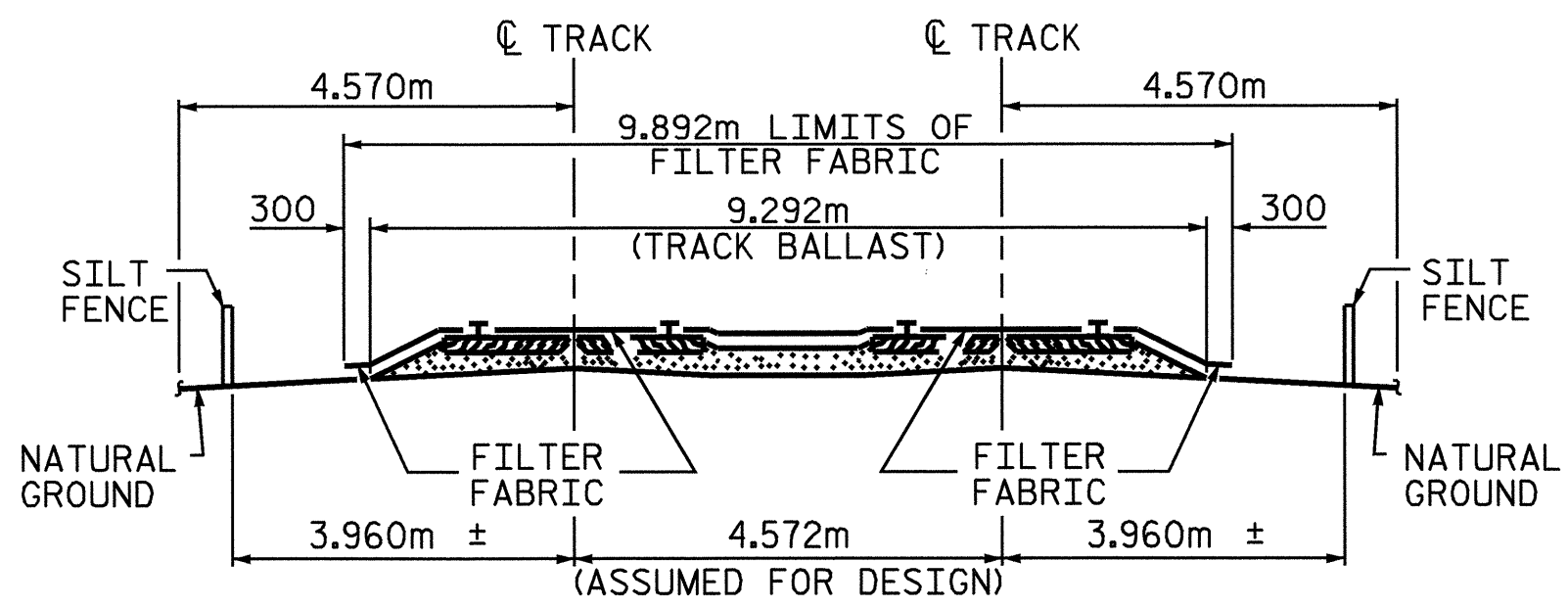




NOTES

FOR NOTES, SEE SHEET 3 OF 3.



TOP OF RAIL ELEVATIONS

	SB TRACK	
	OUTSIDE RAIL	INSIDE RAIL
STA. 14+77.049	47.640	47.648
STA. 14+89.859	47.656	47.660
STA. 15+08.433	47.680	47.679
STA. 15+21.243	47.697	47.694
	NB TRACK	
	INSIDE RAIL	OUTSIDE RAIL
STA. 14+78.757	47.772	47.772
STA. 14+91.567	47.781	47.785
STA. 15+10.141	47.797	47.807
STA. 15+22.951	47.813	47.821

PROJECT NO. R-513BA
ROBESON COUNTY
 STATION: 138+30.800 -L-
 BRIDGE NO. 481
 MILEPOST 245.19

SHEET 1 OF 3

STATE OF NORTH CAROLINA
 DEPARTMENT OF TRANSPORTATION
 RALEIGH
GENERAL DRAWING
 BRIDGE OVER CSX RAILROAD ON
 US 74 BYPASS (RT. LN.)
 BETWEEN NC 710 AND SR 1157

REVISIONS						SHEET NO.
NO.	BY:	DATE:	NO.	BY:	DATE:	TOTAL SHEETS
1			3			5-147
2			4			172

DRAWN BY: W.K. FISCHER DATE: 4-22-04
 CHECKED BY: J.A. WALTER DATE: 6-14-04