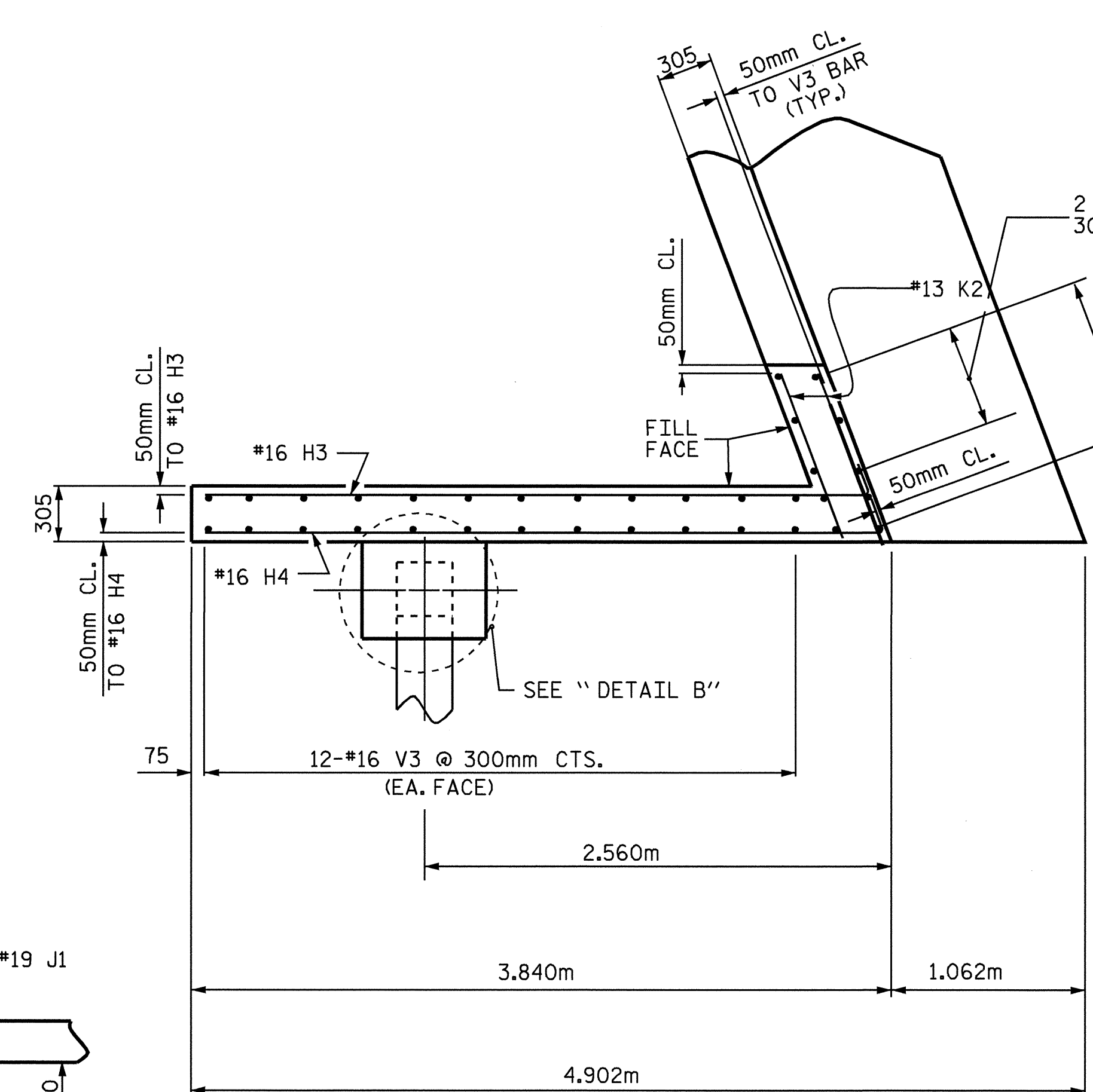
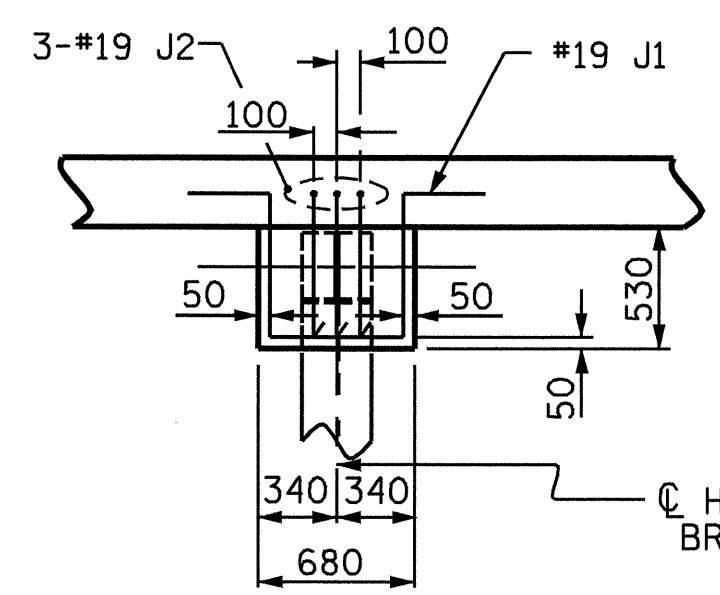


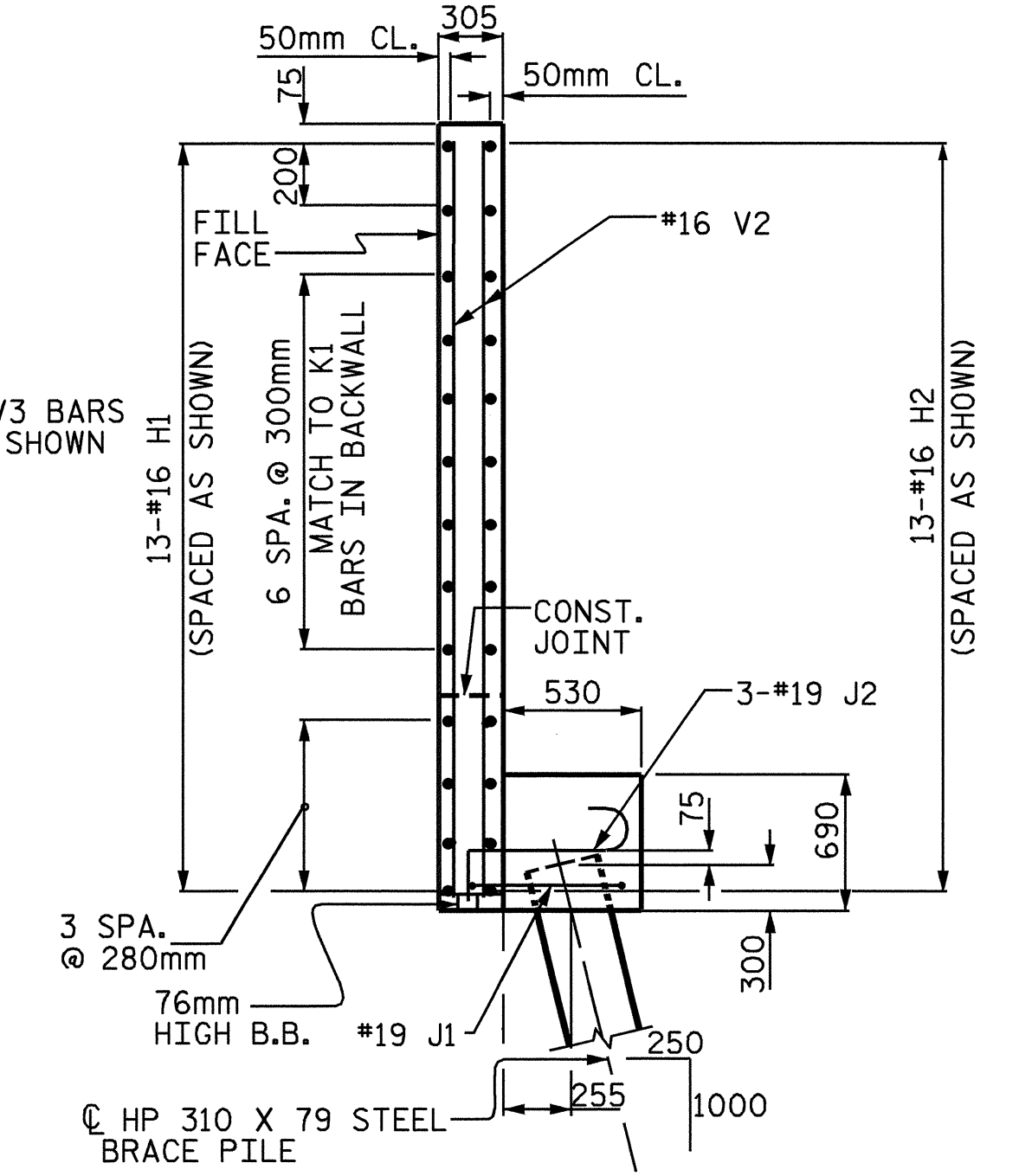
PLAN OF WING W1



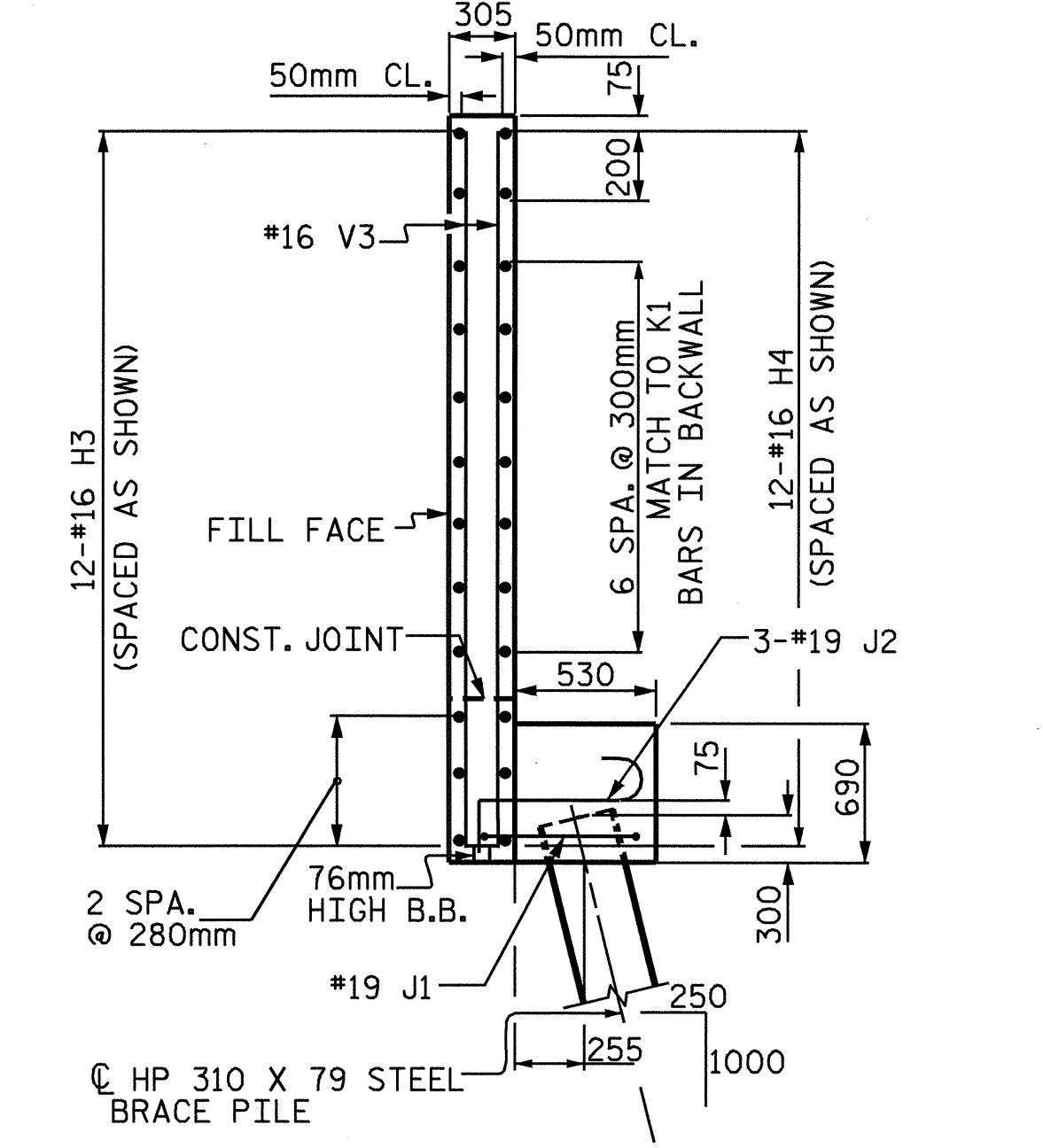
PLAN OF WING W2



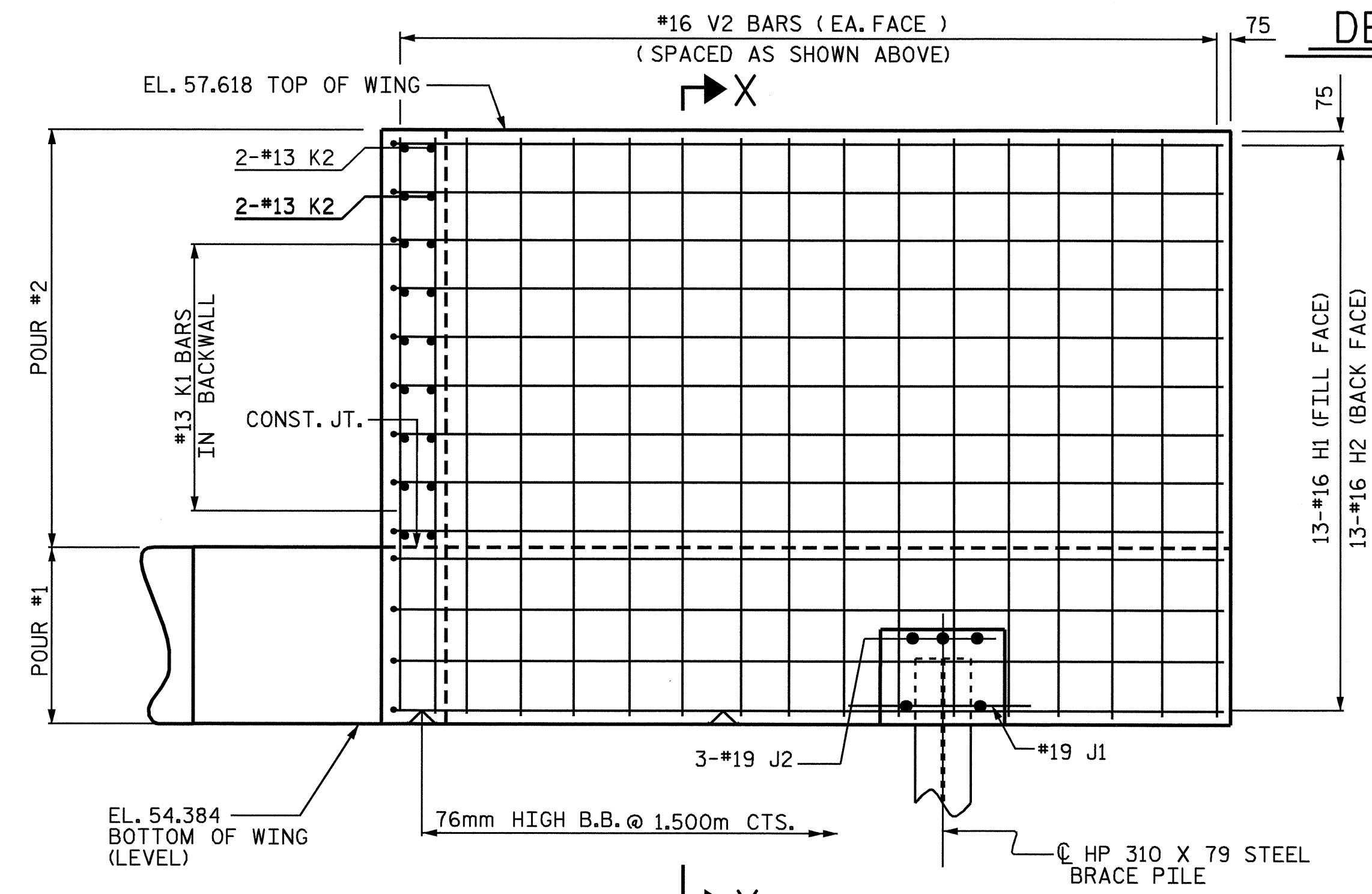
DETAIL B



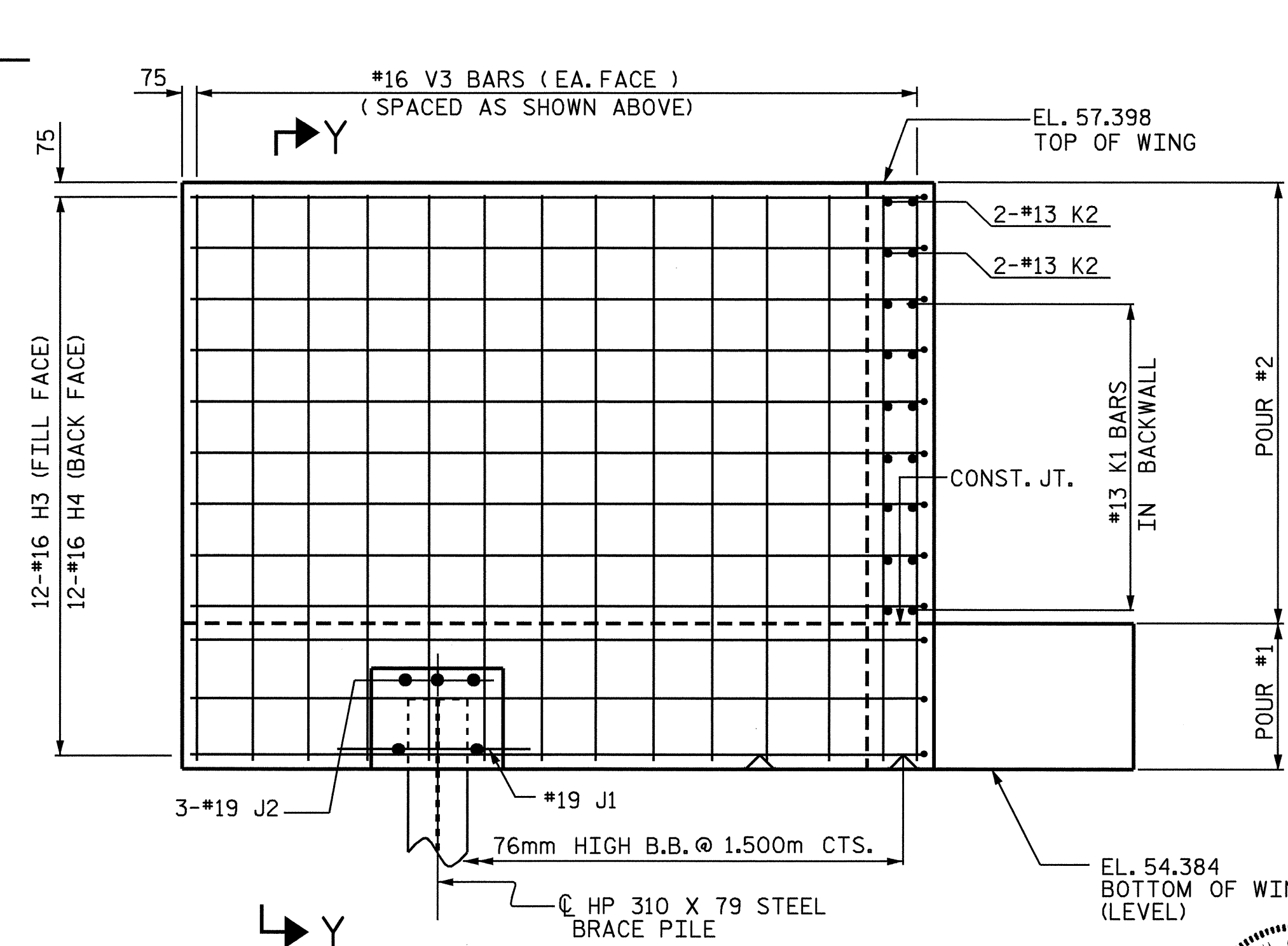
SECTION X-X



SECTION Y-Y



ELEVATION OF WING W1



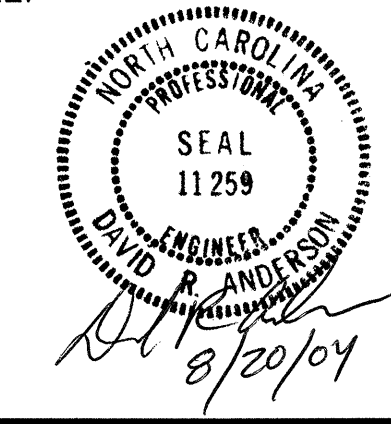
ELEVATION OF WING W2

PROJECT NO. R-513BA
ROBESON COUNTY
STATION: 138+30.800 -L-

SHEET 2 OF 3

STATE OF NORTH CAROLINA
DEPARTMENT OF TRANSPORTATION
RALEIGH

SUBSTRUCTURE
END BENT 1
(RIGHT LANE)



REVISIONS						SHEET NO.	
NO.	BY:	DATE:	NO.	BY:	DATE:	S-162	
1			3			TOTAL SHEETS 172	
2			4				

DRAWN BY: S. M. RASHIDI DATE: 10/8/03
CHECKED BY: M. A. ALLEN DATE: 04-04