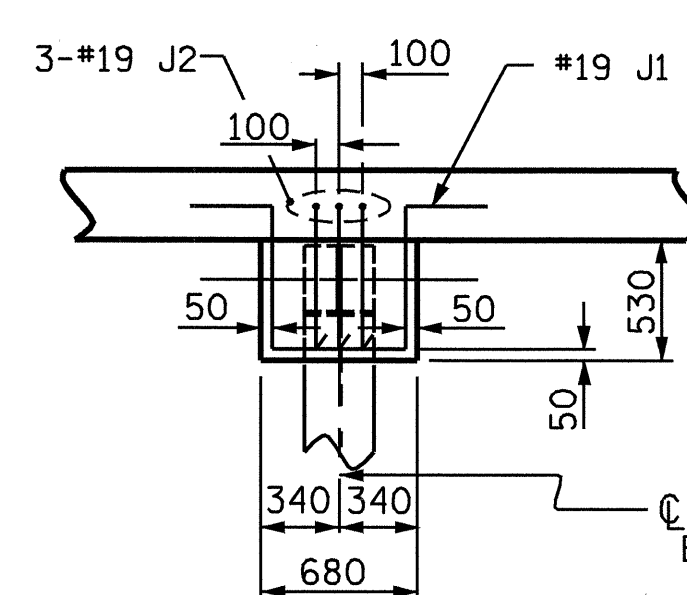
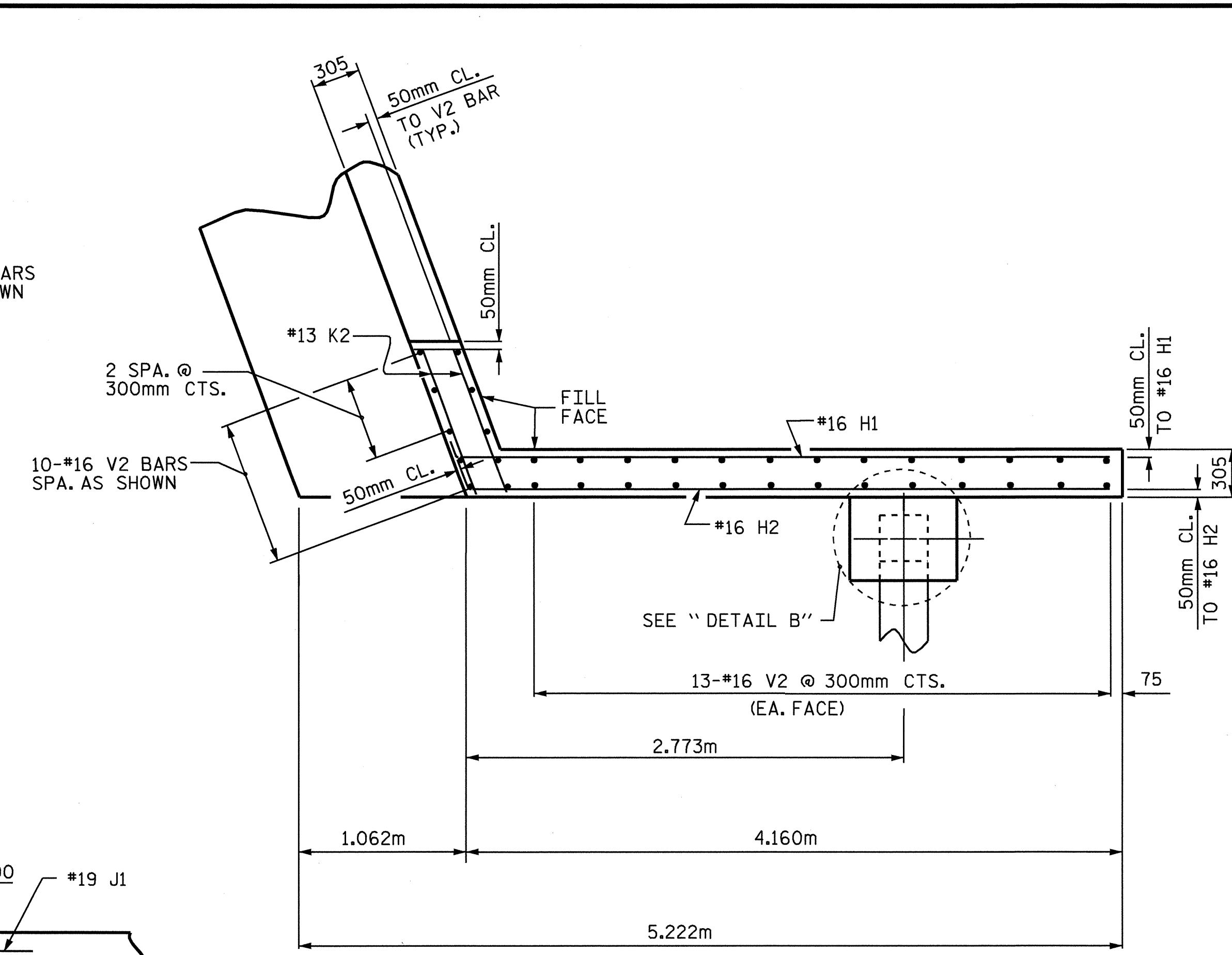


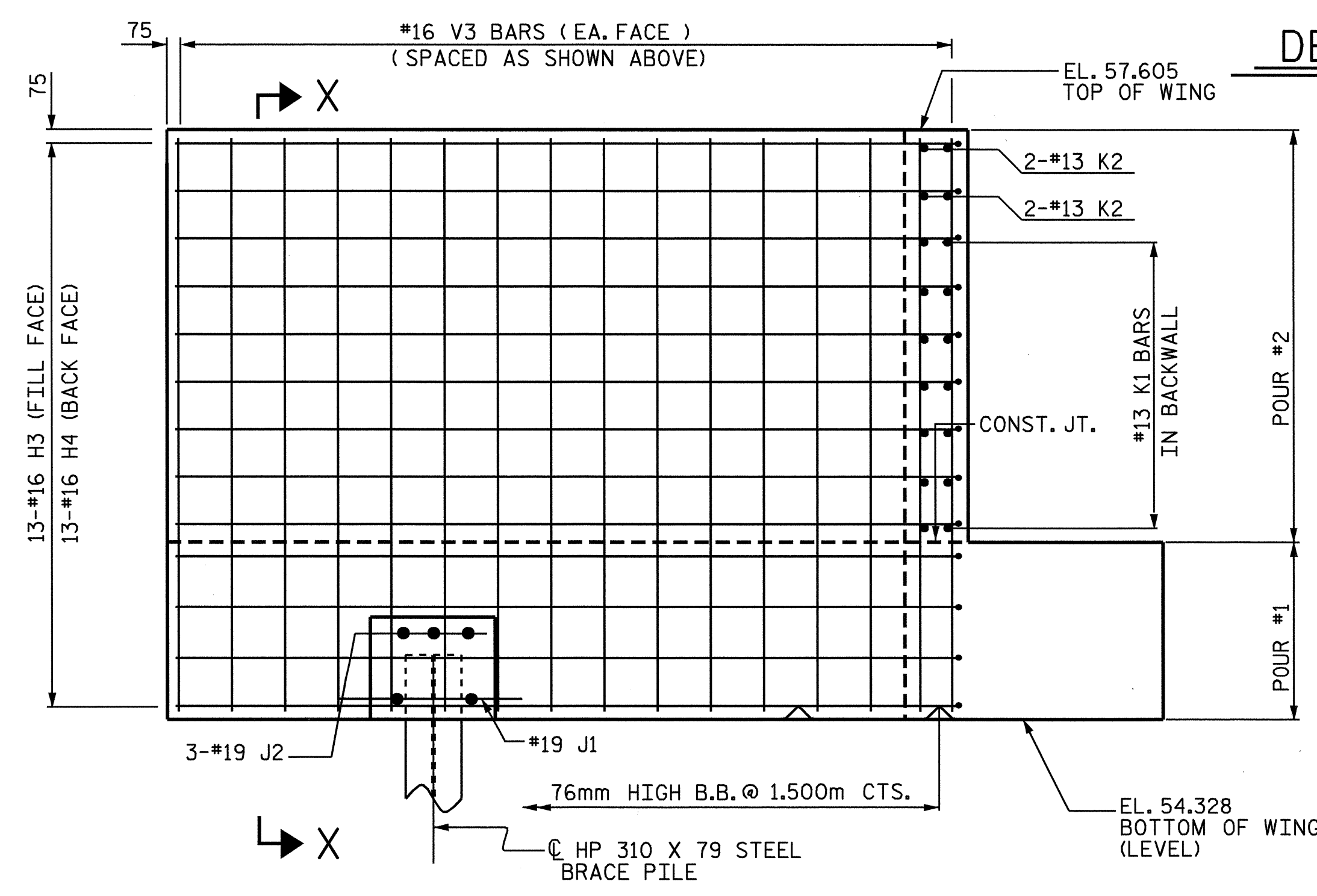
PLAN OF WING W1



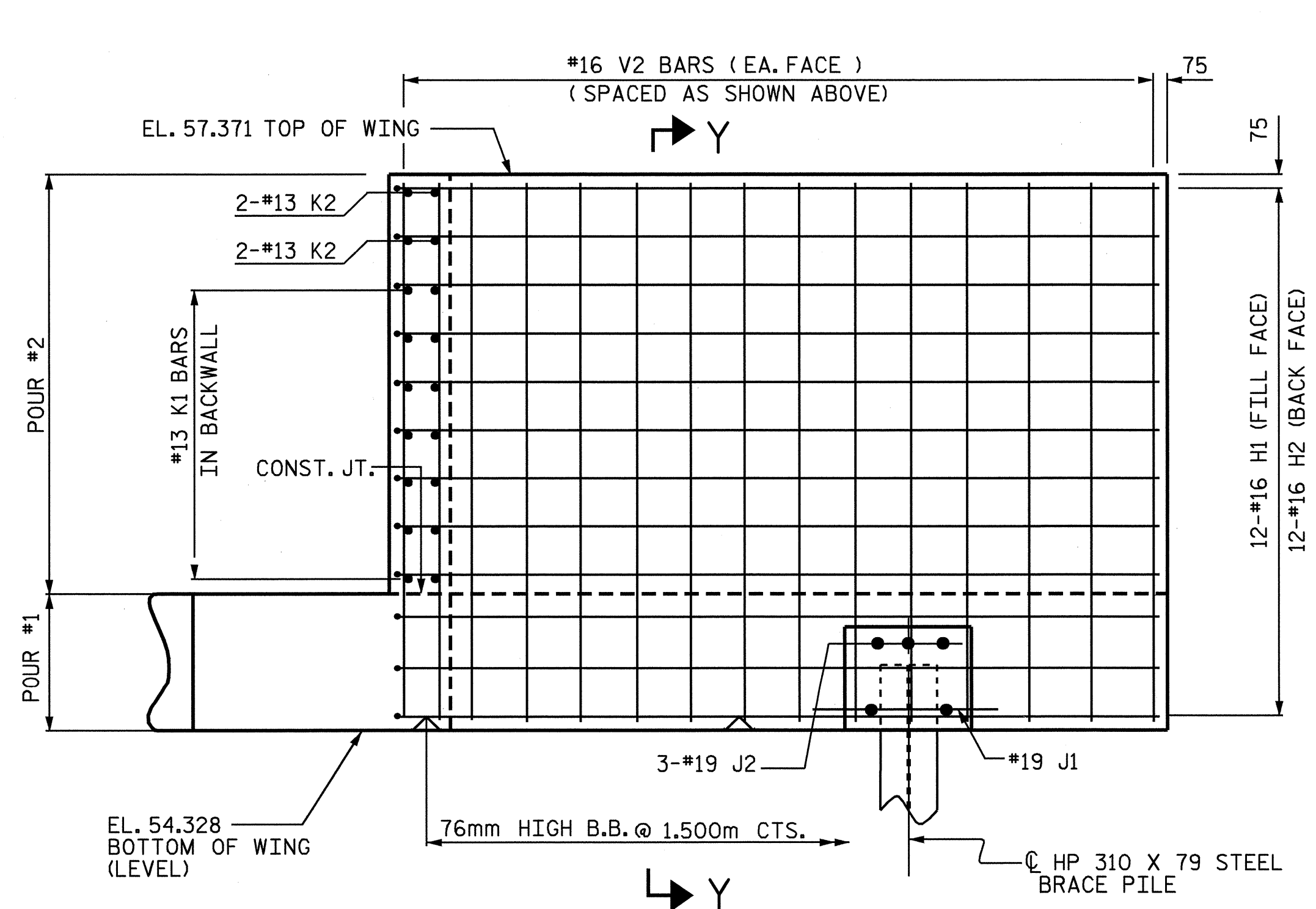
DETAIL B



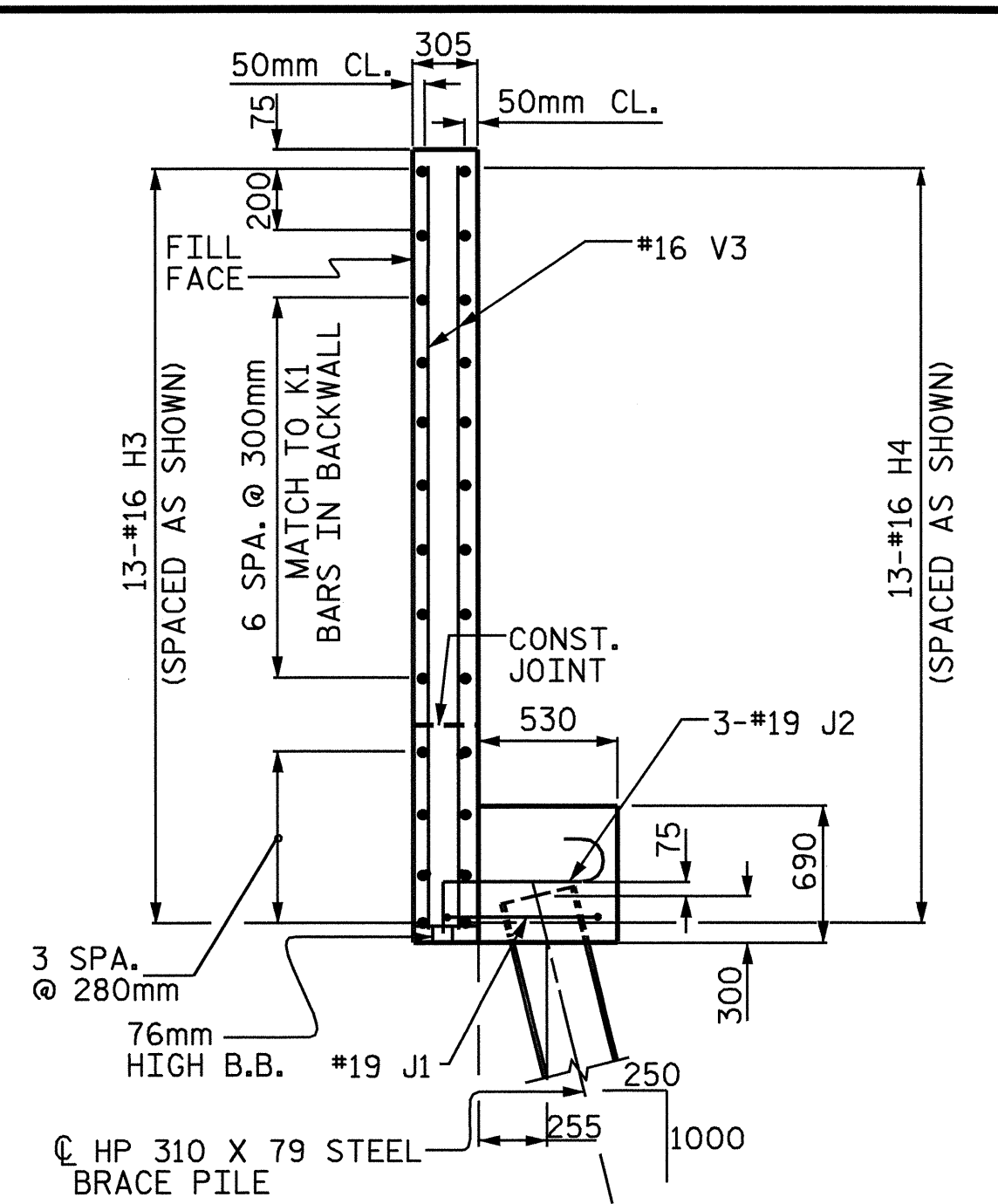
PLAN OF WING W2



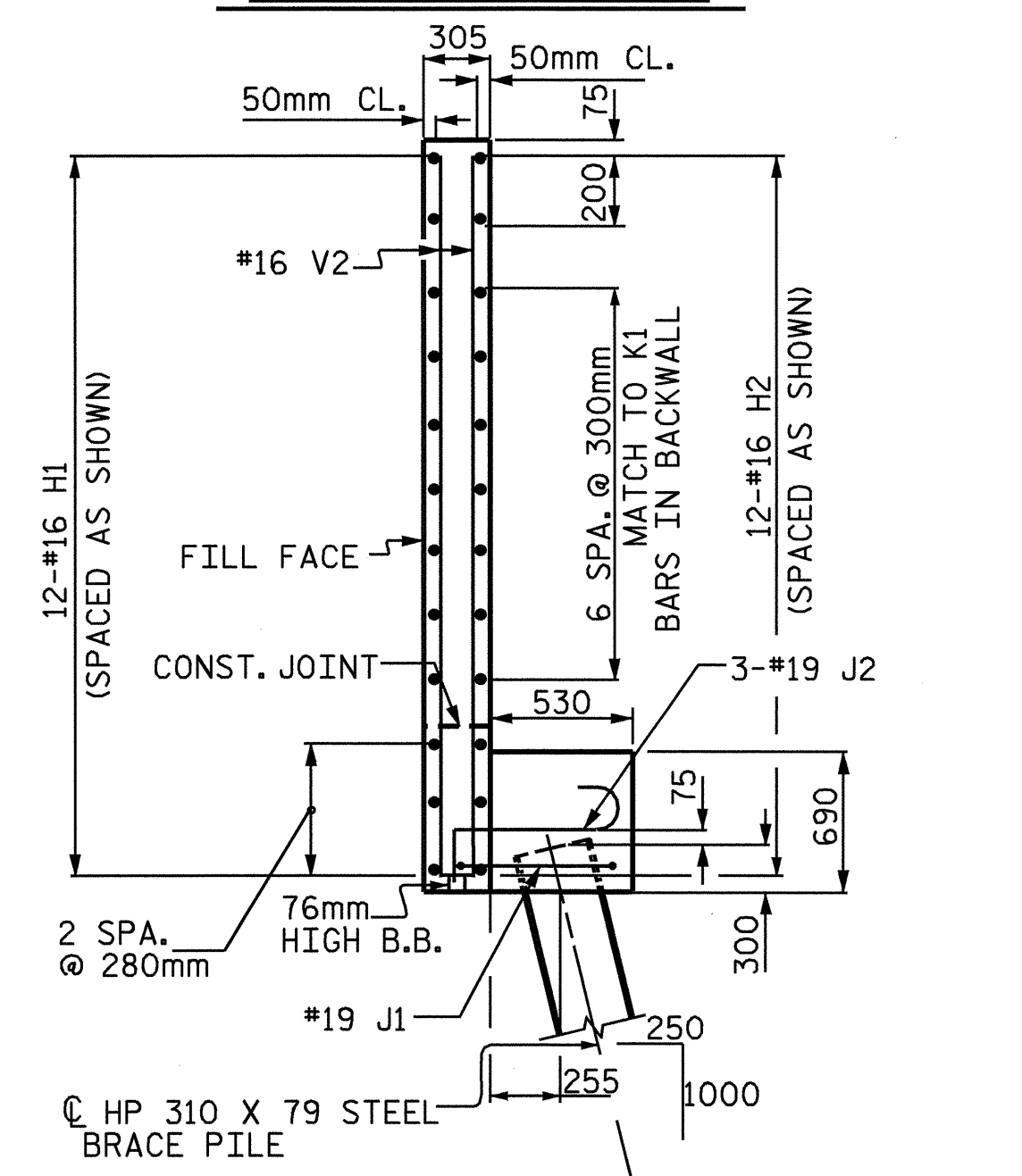
ELEVATION OF WING W1



ELEVATION OF WING W2



SECTION X-X



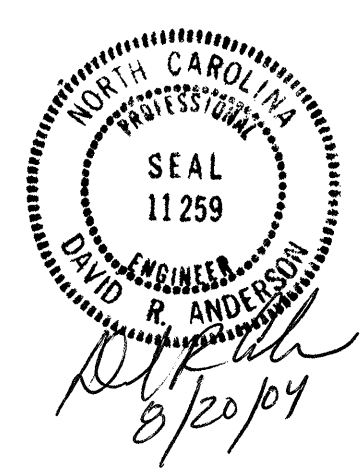
SECTION Y-Y

PROJECT NO. R-513BA
ROBESON COUNTY
 STATION: 138+30.800 -L-

SHEET 2 OF 3

STATE OF NORTH CAROLINA
 DEPARTMENT OF TRANSPORTATION
 RALEIGH

SUBSTRUCTURE
 END BENT 2
 (RIGHT LANE)



REVISIONS						SHEET NO.	
NO.	BY:	DATE:	NO.	BY:	DATE:	5-165	
1			3			TOTAL SHEETS	
2			4			172	

DRAWN BY: S. M. RASHIDI DATE: 10/8/03
 CHECKED BY: M. A. ALLEN DATE: 04-04