

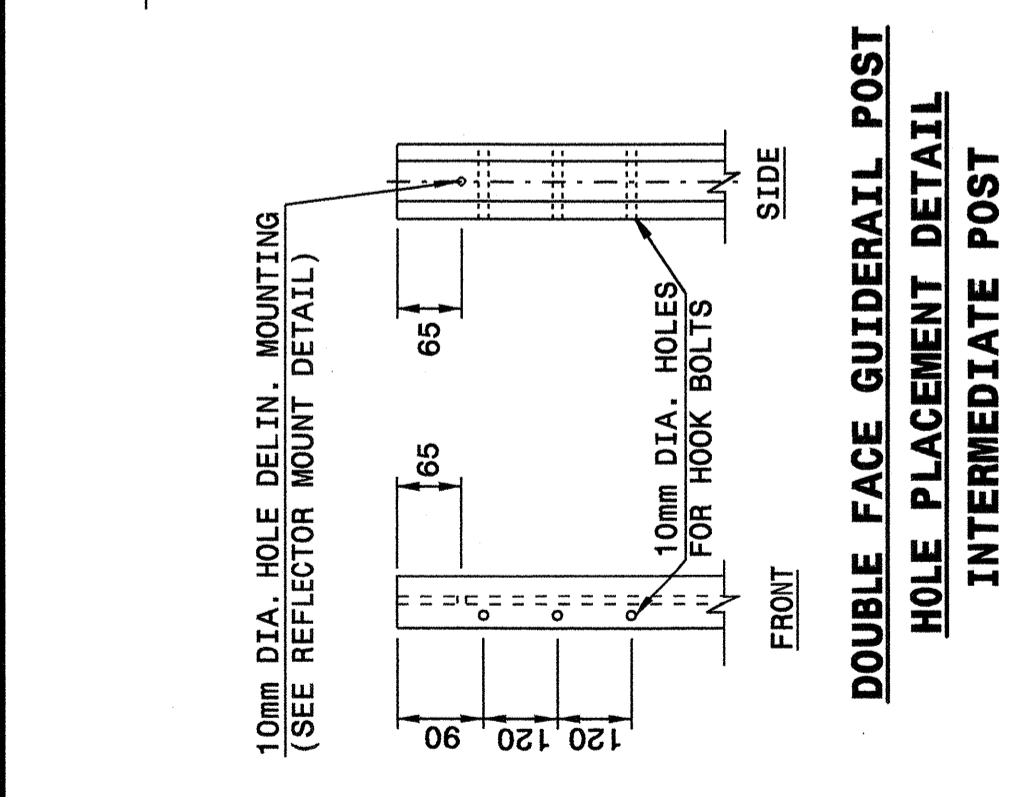


14-APR-2004 08:45 M:\Special Details\ward\stds to Special Details\metric\86501\086501.dgn

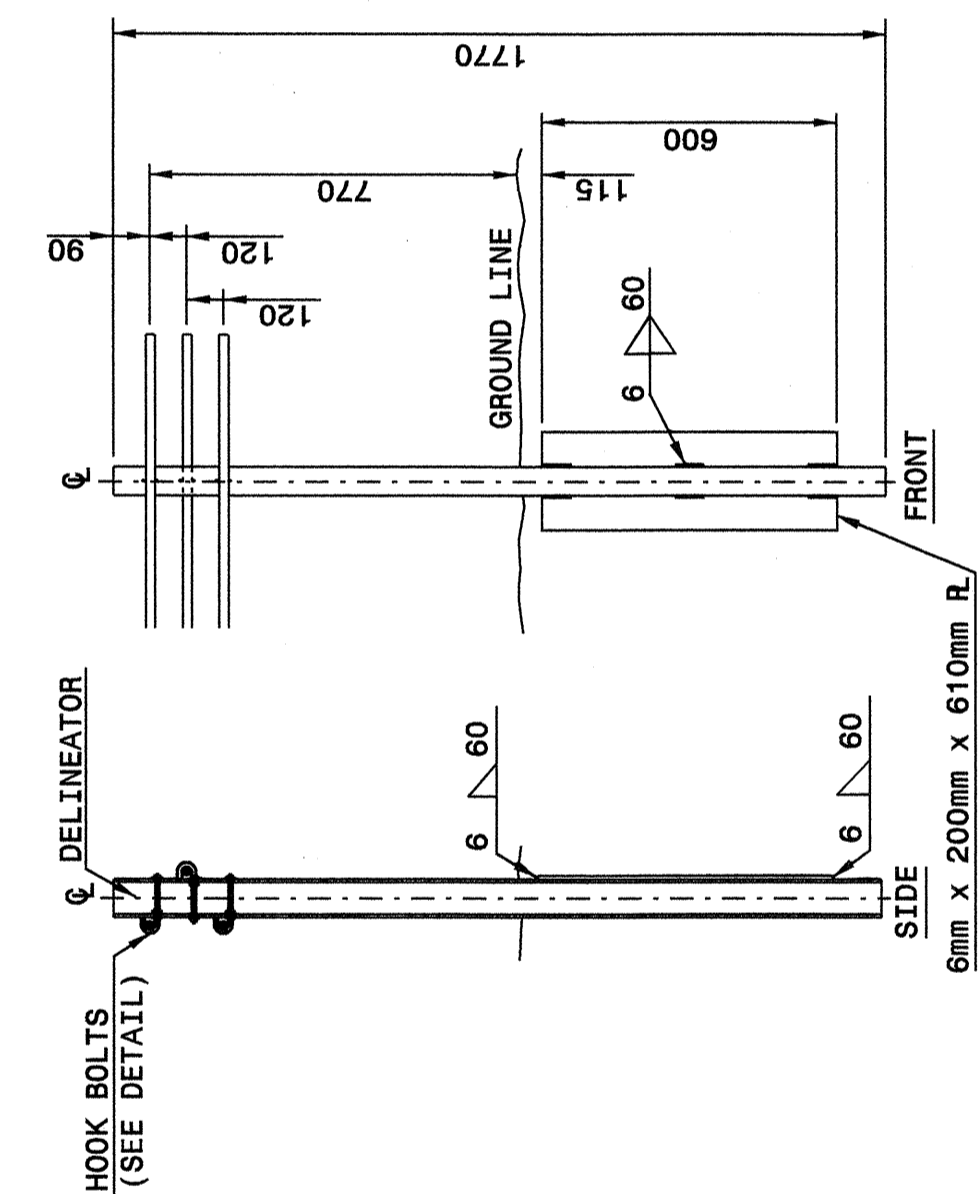
STATE OF  
NORTH CAROLINA  
DEPT. OF TRANSPORTATION  
DIVISION OF HIGHWAYS  
RALEIGH, N.C.

METRIC DETAIL DRAWING FOR  
**CABLE GUIDERAIL**  
DOUBLE FACE GUIDERAIL - POST DETAILS

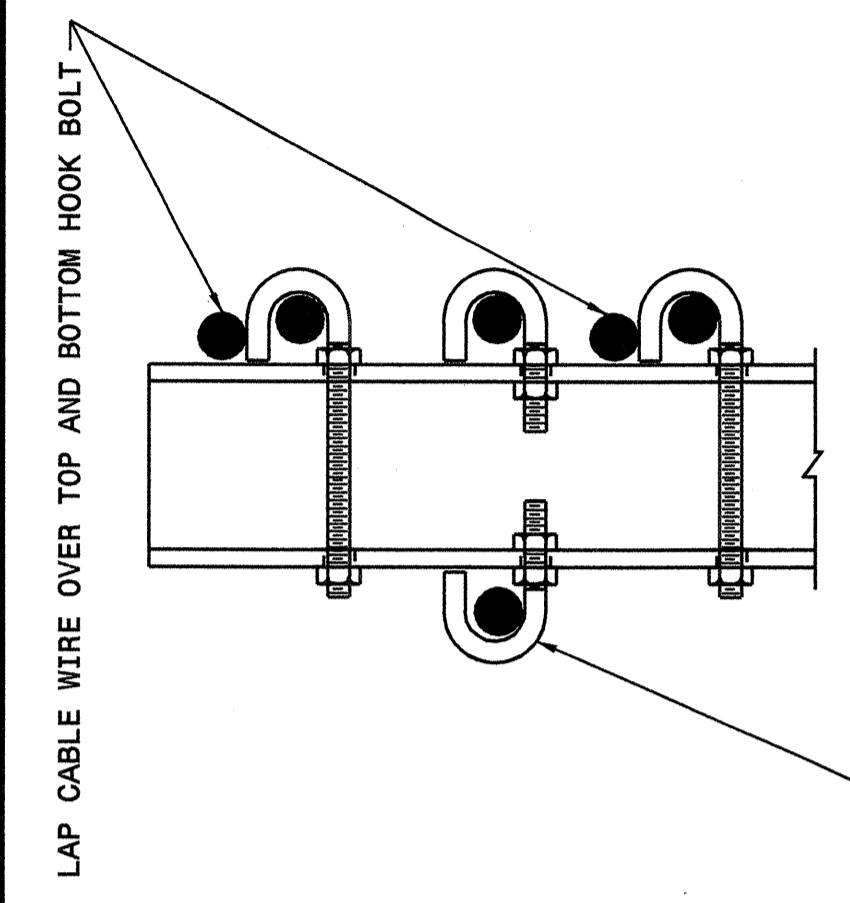
SHEET 5 OF 11  
**865D01**



**DOUBLE FACE GUIDERAIL POST HOLE PLACEMENT DETAIL INTERMEDIATE POST**



**DOUBLE FACE GUIDERAIL INTERMEDIATE POST**



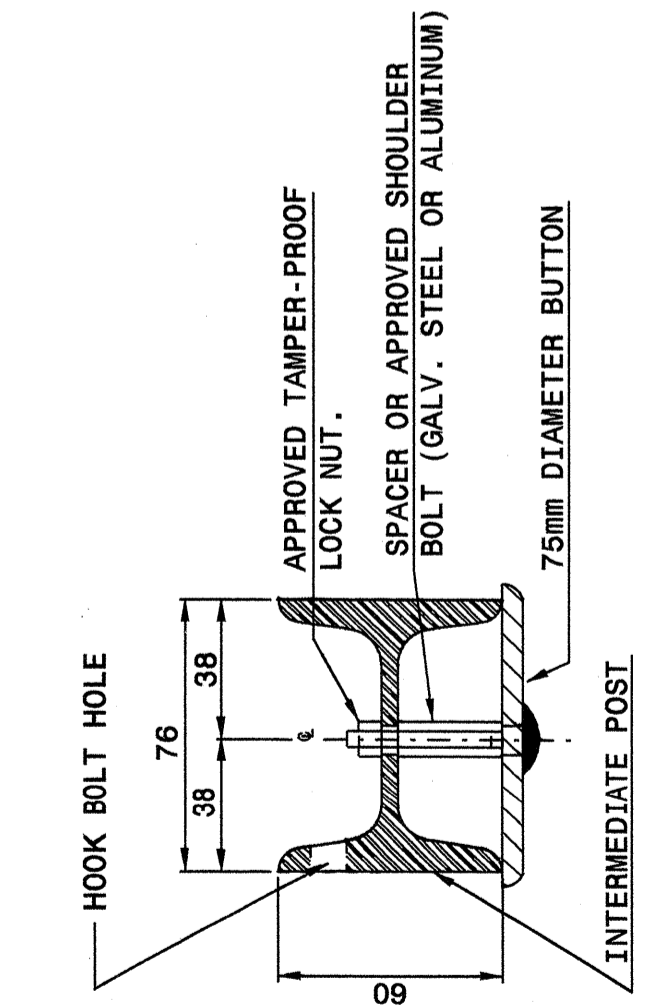
STATE OF  
NORTH CAROLINA  
DEPT. OF TRANSPORTATION  
DIVISION OF HIGHWAYS  
RALEIGH, N.C.

METRIC DETAIL DRAWING FOR  
**CABLE GUIDERAIL**  
DOUBLE FACE GUIDERAIL - POST DETAILS

SHEET 5 OF 11  
**865D01**

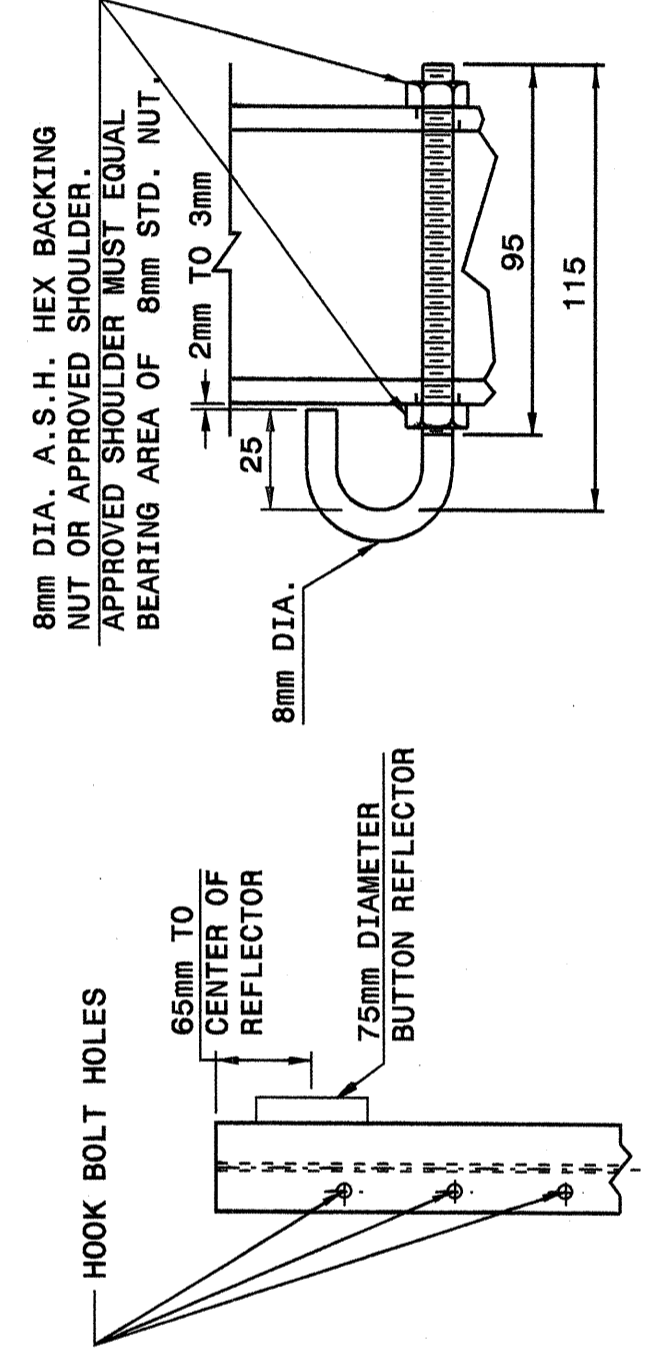
THE CENTER POST IN THE INTERMEDIATE ANCHORAGE SECTION WILL HAVE CABLE WIRE ON BOTH SIDES OF THE MIDDLE STRAND REQUIRING THE USE OF TWO 45mm HOOK BOLTS FOR THIS APPLICATION.

**DETAIL "A" CENTER POST INTERMEDIATE ANCHORAGE SECTION**

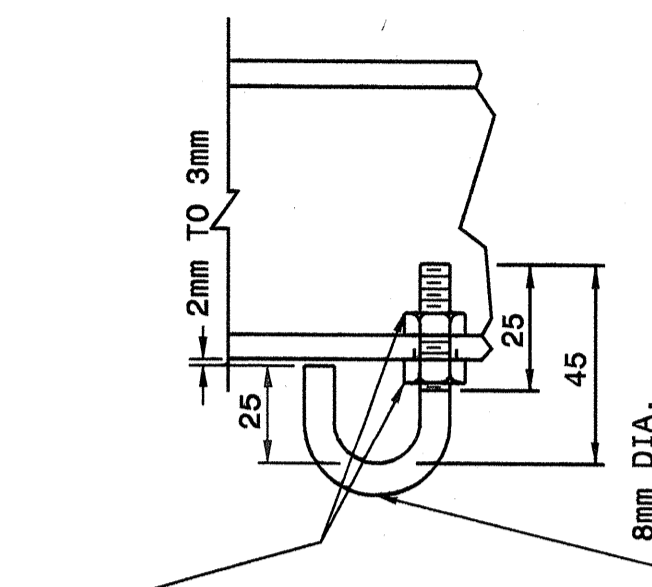


**REFLECTOR MOUNT DETAIL PLAN VIEW**

Note: This drawing is dimensioned in millimeters unless otherwise depicted within the drawing.



**REFLECTOR MOUNT DETAIL ELEVATION VIEW**



**HOOK BOLT (ALTERNATES)**

STATE OF  
NORTH CAROLINA  
DEPT. OF TRANSPORTATION  
DIVISION OF HIGHWAYS  
RALEIGH, N.C.

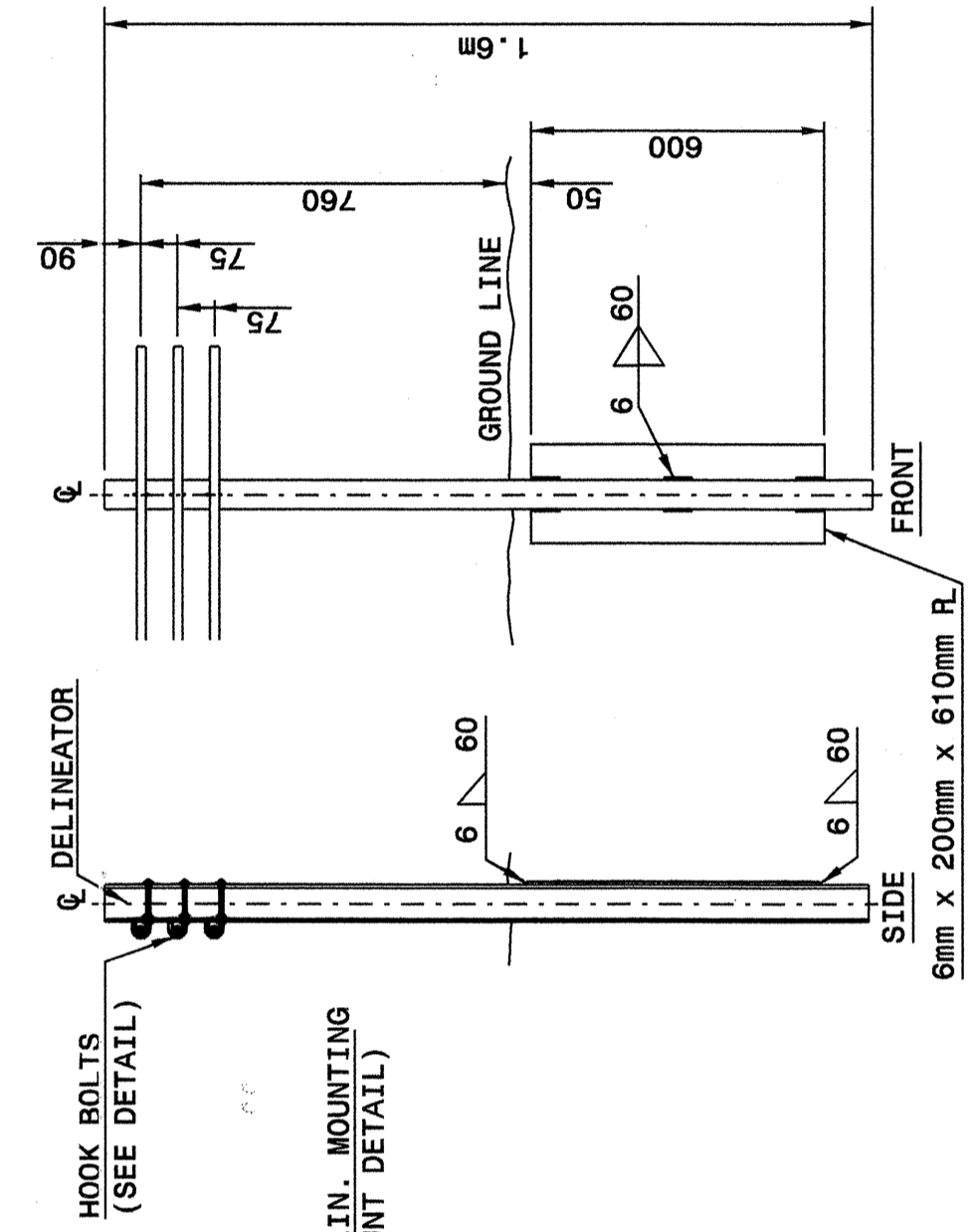
METRIC DETAIL DRAWING FOR  
**CABLE GUIDERAIL**  
DOUBLE FACE GUIDERAIL - POST DETAILS

SHEET 5 OF 11  
**865D01**

STATE OF  
NORTH CAROLINA  
DEPT. OF TRANSPORTATION  
DIVISION OF HIGHWAYS  
RALEIGH, N.C.

METRIC DETAIL DRAWING FOR  
**CABLE GUIDERAIL**  
SINGLE FACE GUIDERAIL - POST DETAILS

SHEET 6 OF 11  
**865D01**



**SINGLE FACE GUIDERAIL INTERMEDIATE POST**

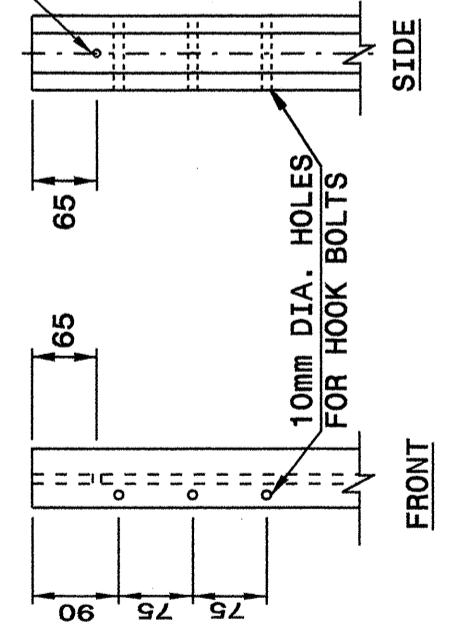
STATE OF  
NORTH CAROLINA  
DEPT. OF TRANSPORTATION  
DIVISION OF HIGHWAYS  
RALEIGH, N.C.

METRIC DETAIL DRAWING FOR  
**CABLE GUIDERAIL**  
SINGLE FACE GUIDERAIL - POST DETAILS

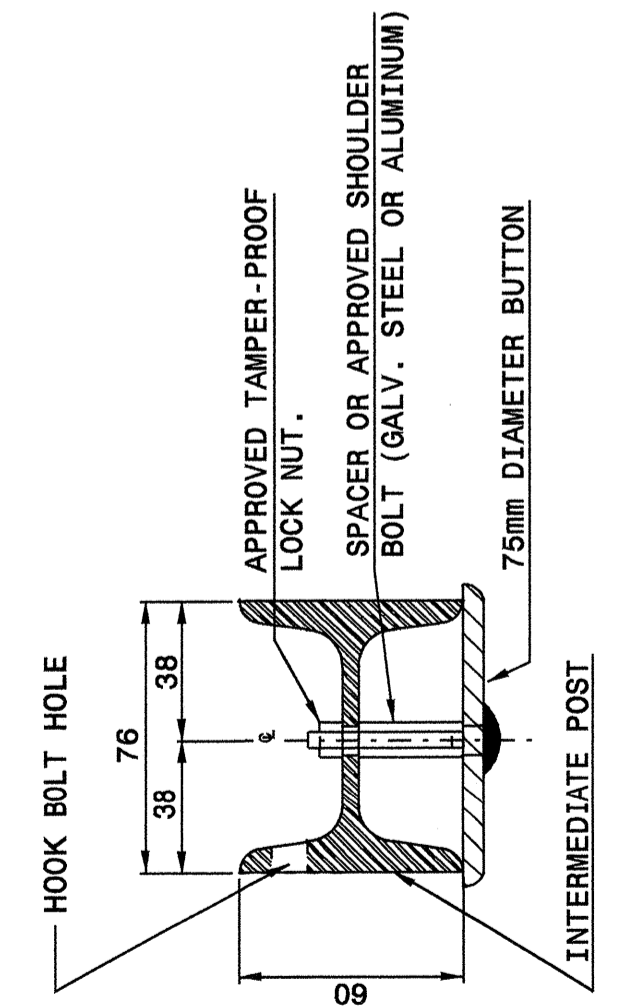
SHEET 6 OF 11  
**865D01**

HOOK BOLTS (SEE DETAIL)

10mm DIA. HOLE DELIN. MOUNTING (SEE REFLECTOR MOUNT DETAIL)

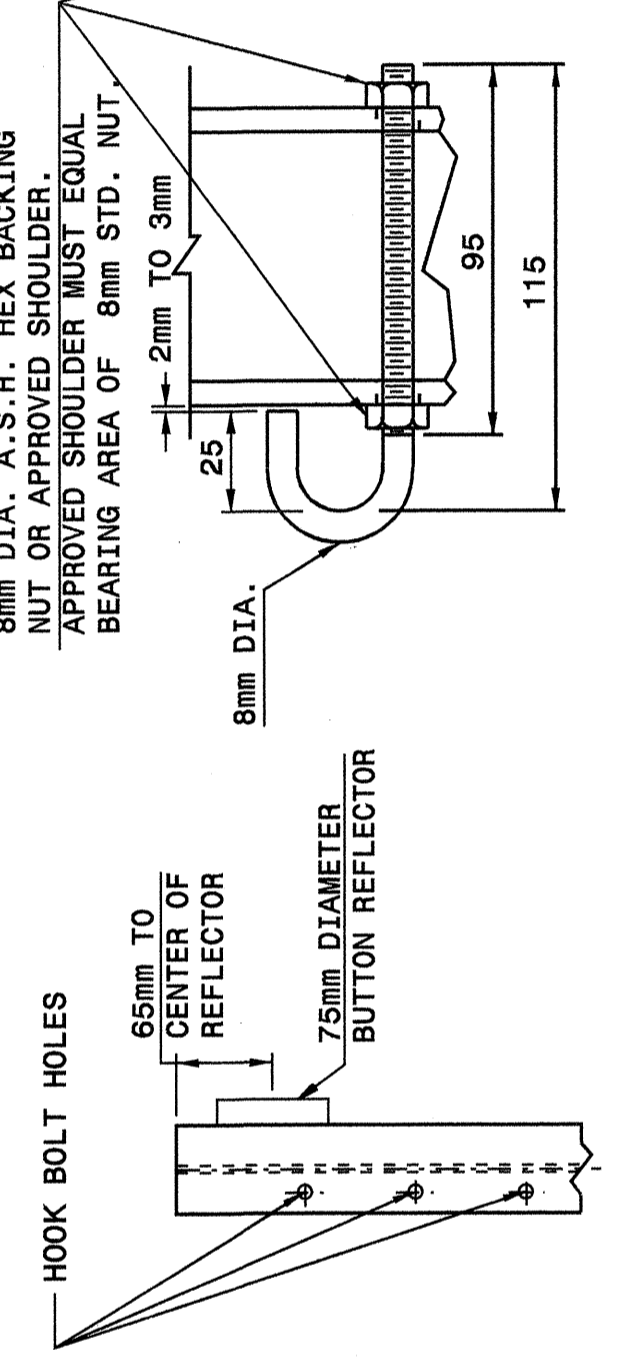


**SINGLE FACE GUIDERAIL POST HOLE PLACEMENT DETAIL**

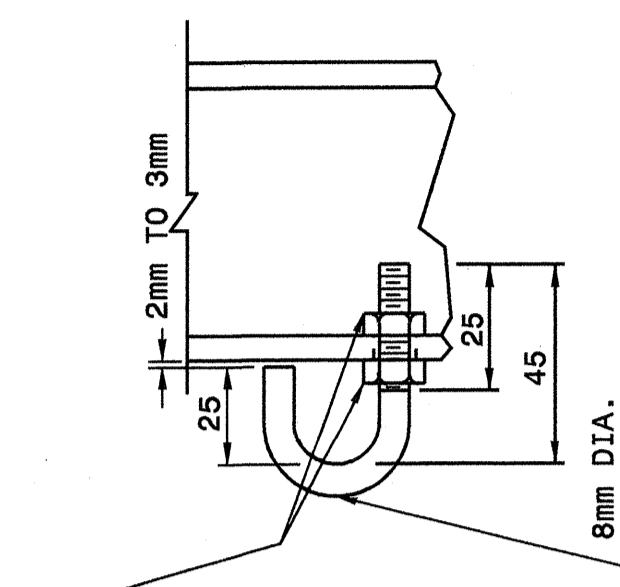


**REFLECTOR MOUNT DETAIL PLAN VIEW**

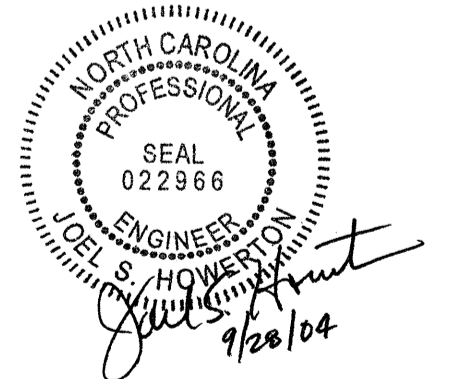
Note: This drawing is dimensioned in millimeters unless otherwise depicted within the drawing.



**REFLECTOR MOUNT DETAIL ELEVATION VIEW**



**HOOK BOLT (ALTERNATES)**



DESIGN SERVICES UNIT  
STANDARDS AND SPECIAL DESIGN  
Office 919-250-4128 FAX 919-250-4119

**SEE PLATE FOR TITLE**

ORIGINAL BY: 2002 STANDARDS DATE: 1-15-02  
MODIFIED BY: E.E. WARD DATE: 4-07-04  
CHECKED BY: *E.E. Ward* DATE: 4-16-04  
FILE SPEC.: /usr/std/02stds to details/metric/86501/086501.dgn