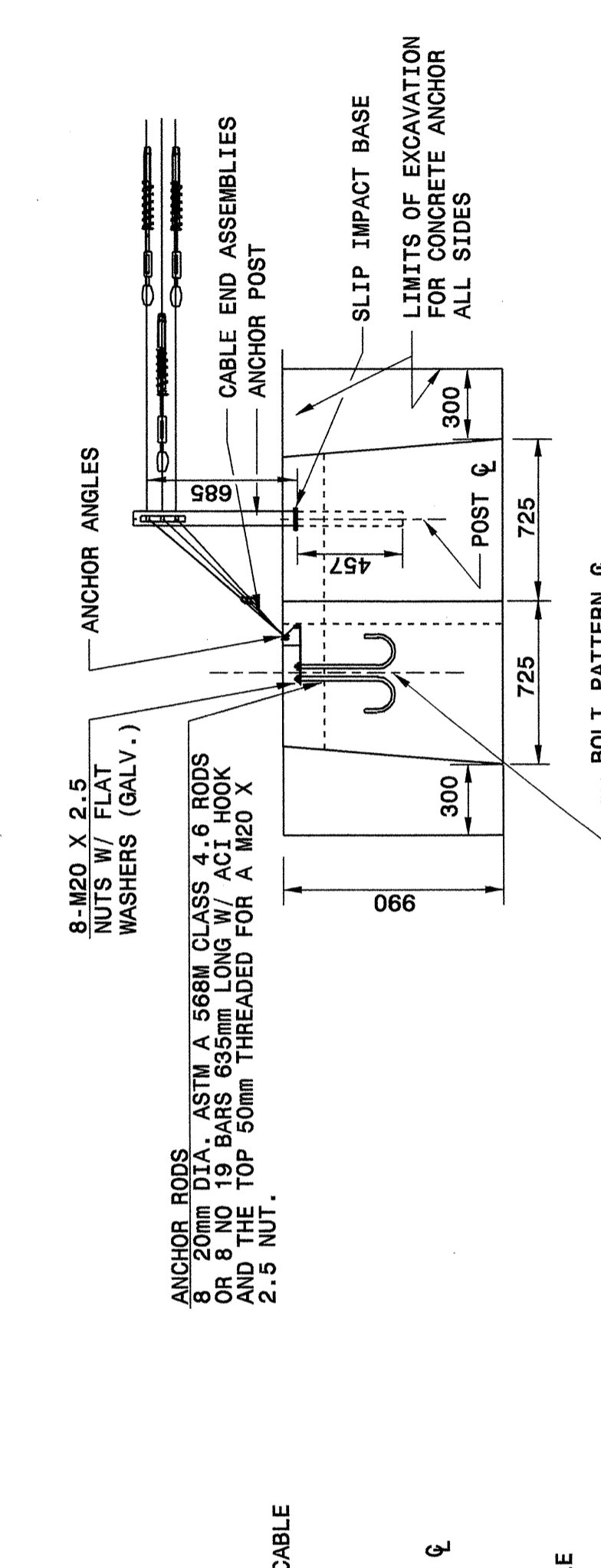




STATE OF NORTH CAROLINA DEPT. OF TRANSPORTATION DIVISION OF HIGHWAYS RALEIGH, N.C.

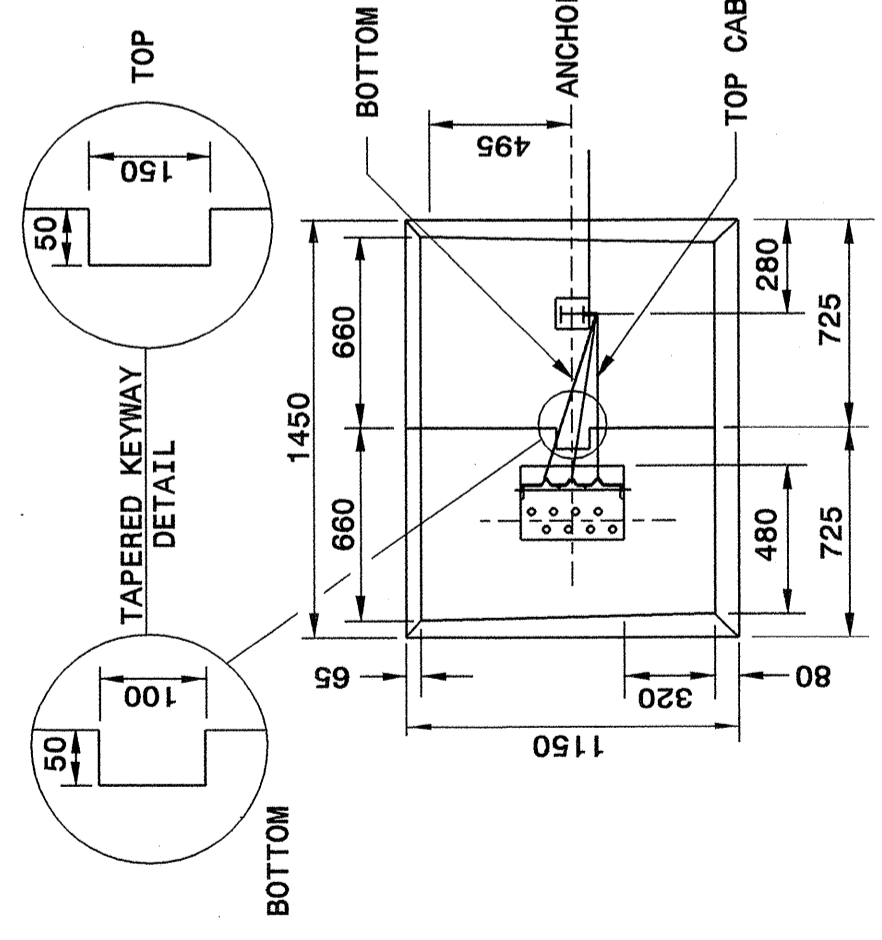
METRIC DETAIL DRAWING FOR CABLE GUIDERAIL ANCHOR DETAILS

SHEET 9 OF 11 865D01



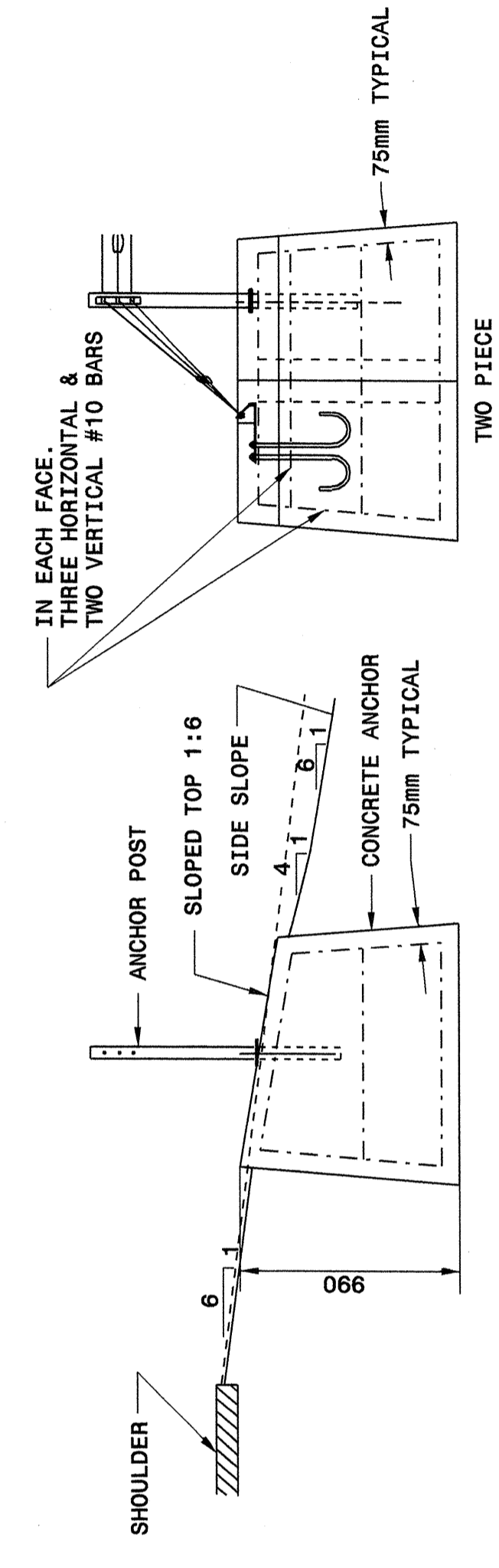
ANCHOR UNIT DETAIL LEFT HAND
(REINFORCEMENT NOT SHOWN)

NOTE: USE ONE OR TWO PIECE ANCHOR. DIMENSIONS OF TWO PIECE ANCHOR ARE SHOWN ON DRAWING. DIMENSIONS OF ONE PIECE ANCHOR ARE 1.50m LONG BY 0.90m WIDE BY 1.00m HIGH.



ANCHOR UNIT DETAIL TOP VIEW LEFT HAND
(REINFORCEMENT NOT SHOWN)

NOTE: SET THE CONCRETE ANCHOR INTO THE EXCAVATION AS DETAILED. THE BOTTOM OF THE ANCHOR MUST HAVE A FULL AND EVEN BEARING ON THE SURFACE UNDER IT SO THAT IF THE CONTRACTOR ELECTS TO PLACE THE ANCHOR IN TWO SECTIONS, THERE WILL BE LITTLE OR NO DIFFERENTIAL SETTLEMENT. IF THE CONTRACTOR ELECTS TO PLACE THE ANCHOR IN TWO SECTIONS, PLACE THE TOPS OF BOTH SECTIONS ON THE SAME PLANE. AFTER THE ANCHOR IS IN PLACE, BACKFILL THE EXCAVATION.



ANCHOR UNIT & RE-BAR INSTALLATION DETAIL

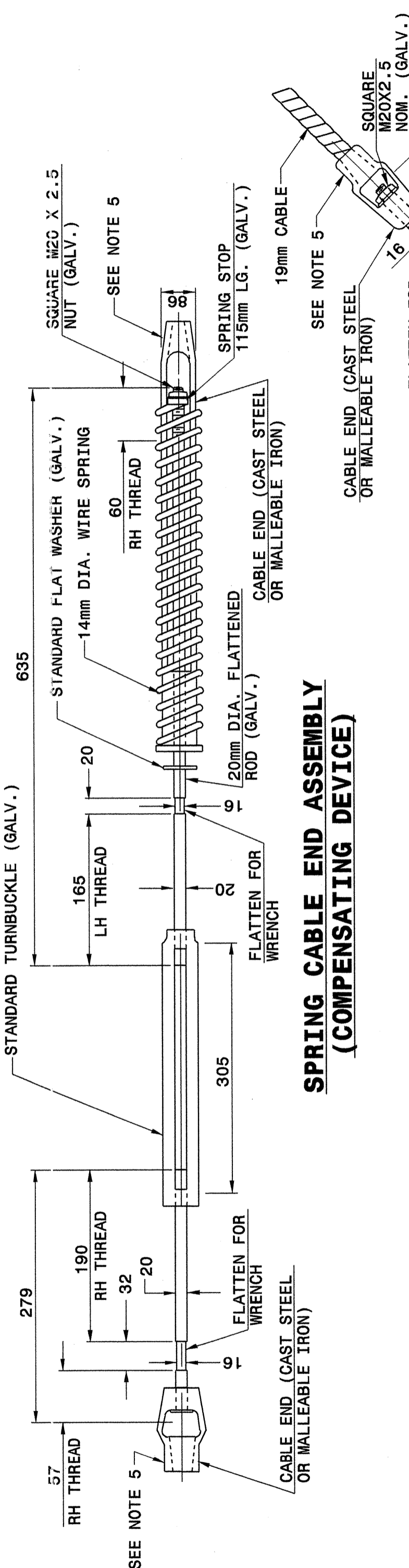
Note: This drawing is dimensioned in millimeters unless otherwise depicted within the drawing.

SHEET 9 OF 11 865D01

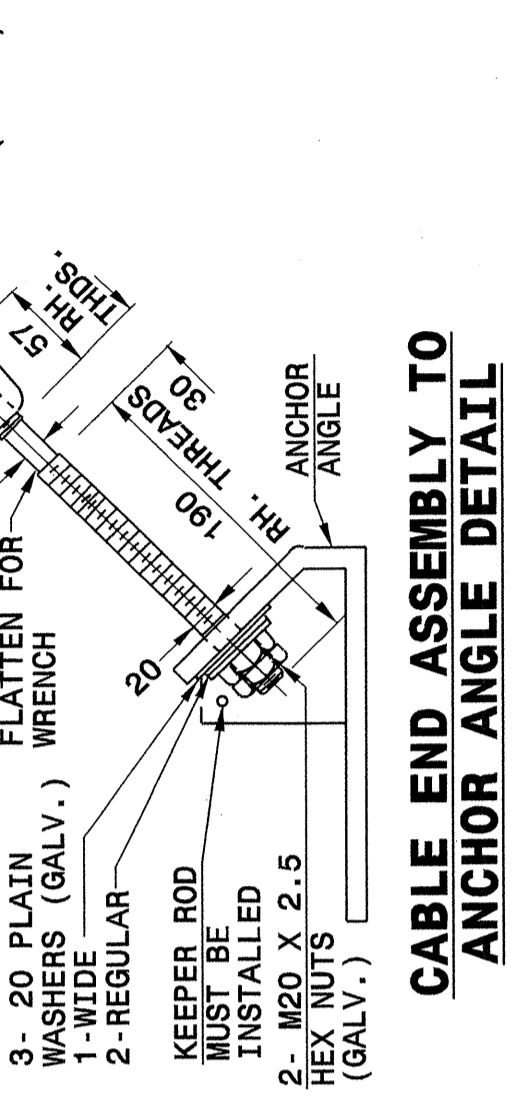
STATE OF NORTH CAROLINA DEPT. OF TRANSPORTATION DIVISION OF HIGHWAYS RALEIGH, N.C.

METRIC DETAIL DRAWING FOR CABLE GUIDERAIL ANCHOR DETAILS

SHEET 10 OF 11 865D01

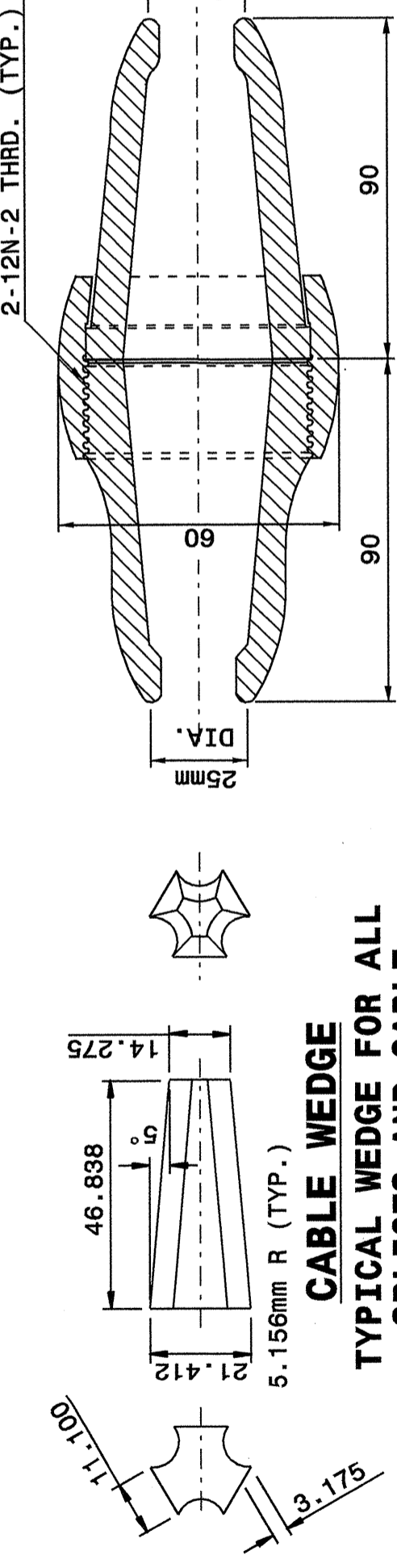


SPRING CABLE END ASSEMBLY (COMPENSATING DEVICE)



CABLE END ASSEMBLY TO ANCHOR ANGLE DETAIL

TURNBUCKLE CABLE END ASSEMBLY



CABLE WEDGE FOR ALL TYPICAL SPLICING AND CABLE FITTINGS

Note: This drawing is dimensioned in millimeters unless otherwise depicted within the drawing.

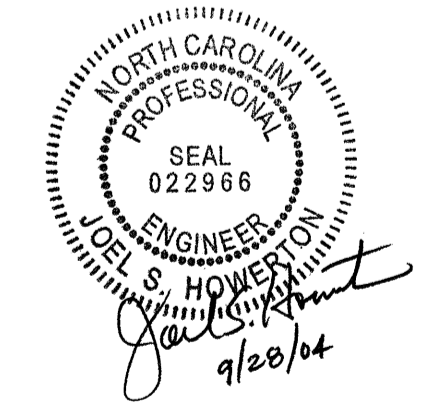
WASHER

WASHER	WASHER SERIES	A INSIDE DIA. mm	B OUTSIDE DIA. mm	C THICKNESS mm
20	REGULAR	22.00	50.00	4.00
	WIDE	22.00	65.50	4.80
12	NARROW	13.50	25.4	2.4

DESIGN SERVICES UNIT STANDARDS AND SPECIAL DESIGN Office 919-250-4128 FAX 919-250-4119

SEE PLATE FOR TITLE

ORIGINAL BY: 2002 STANDARDS DATE: 1-15-02
 MODIFIED BY: E.E. WARD DATE: 4-07-04
 CHECKED BY: C.B. [Signature] DATE: 4-16-04
 FILE SPEC.: /usr/std/02stds to details/metric/86501/0865d01.dgn



14-APR-2004 08:45 M:\Special Details\metric\ward\dstds\02stds to Special Details\metric\86501\0865d01.dgn