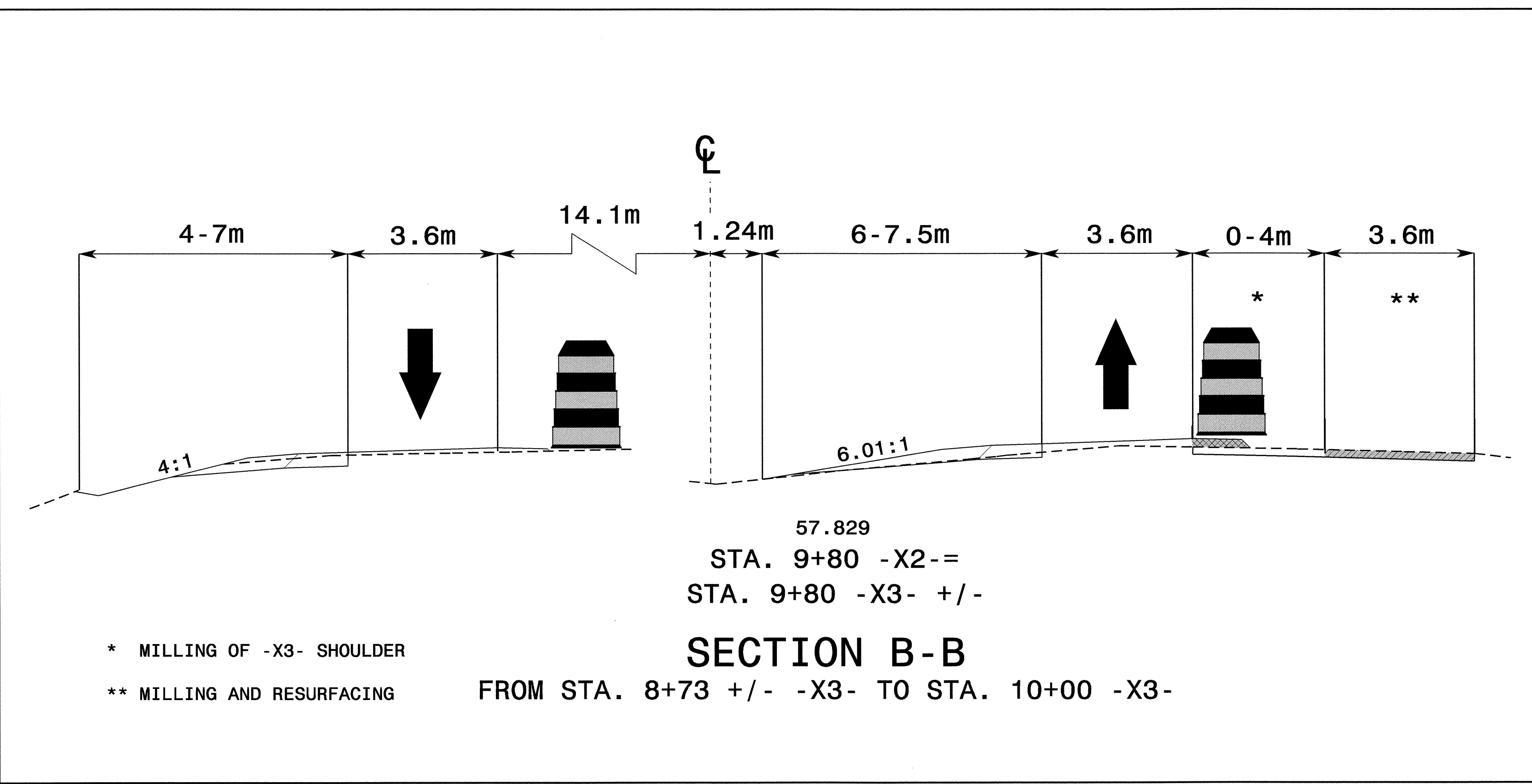
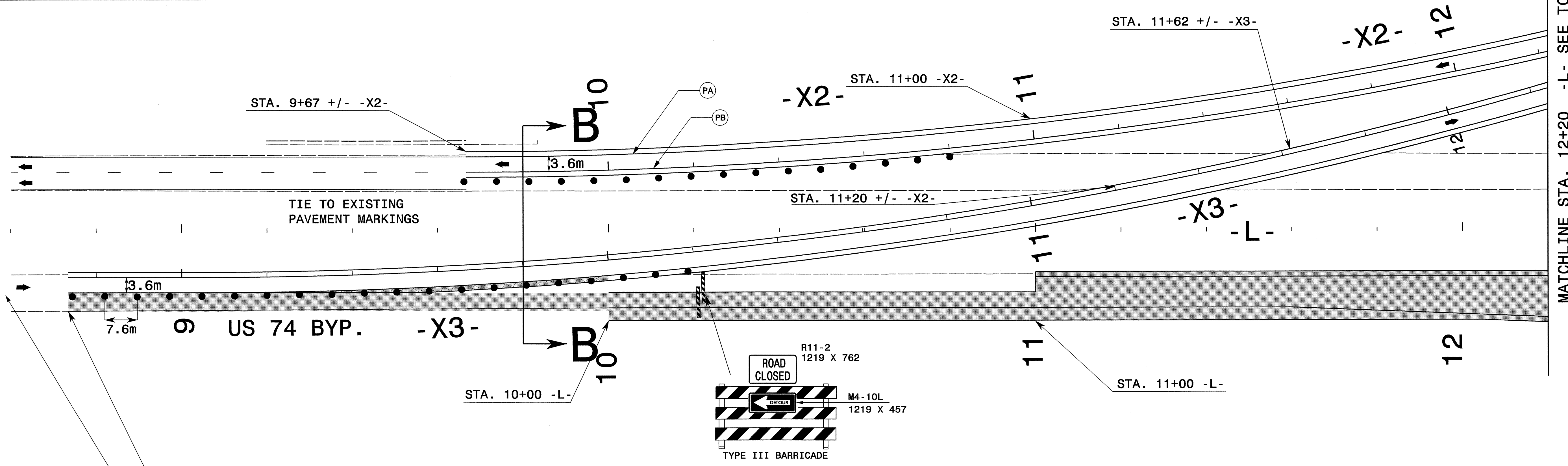


AREA I, US 74



* MILLING OF -X3- SHOULDER
** MILLING AND RESURFACING

SECTION B-B
FROM STA. 8+73 +/- -X3- TO STA. 10+00 -X3-



STA. 8+73 +/- -L- =
STA. 8+73 +/- -X3-

NOTE: SEE SHEET TCP-22
FOR LANE CLOSURE.

APPROVED: <i>[Signature]</i> DATE: 09/03	AREA I, PHASE II DETAIL	
SEAL NORTH CAROLINA PROFESSIONAL ENGINEER JOHN S. KITE, JR. 022104		
SCALE: NONE	REVISIONS	
DATE: 09/03		
DWG. BY: DAH		
DESIGN BY: DAH		
REVIEWED BY: JDK		

05-OCT-2004 16:28
 W:\TCP\PhaseII\0513A-TC-Tcp16_P11.dgn
 dahyes AT TFC092272