



SIGN NO.	SIGN TYPE	SIGN SIZE (mm) w x h	ROADWAY STATION	NO. OF SUP.	BEAM SECTION	SUPPORT TYPE BA or S	HORIZ. CLR. (M)	EXIT NUMBER ATTACH METHOD	LENGTH (M)			LEFT SUPPORT (M)			CENTER SUPPORT (M)			RIGHT SUPPORT (M)			B/A SUPPORT WEIGHTS (kg)	SIMPLE SUPPORT WEIGHTS (kg)	REINF. FTGS. (CM)	PLAIN FTGS. (CM)	TOTAL WOOD SUPP. (LM)	TOTAL WOOD SUPP. (CM)
									SNS	HT	MTG	S	L	TOTAL LENGTH	S	L	TOTAL LENGTH	S	L	TOTAL LENGTH						
201	B	2900 X1500	14+40	2	S100X11	BA	3.05		1.50	2.13	0.966	0.14	3.75	4.75	N/A	N/A	N/A	0.25	3.92	4.92	122.97				0.1560	
202	B	2800 X1500	19+50	2	S130X15	BA	3.05		1.50	2.13	0.814	1.36	5.00	5.83	N/A	N/A	N/A	1.70	5.33	6.17	197.80				0.3000	
203	B	2300 X1500	26+20	2	S100X11	BA	3.05		1.50	2.13	0.966	0.52	4.17	5.17	N/A	N/A	N/A	0.40	4.00	5.00	128.72				0.1560	
204	B	2300 X1500	64+80	2	S100X11	BA	3.05		1.50	2.13	0.966	0.30	3.92	4.92	N/A	N/A	N/A	0.60	4.25	5.25	128.72				0.1560	
205	B	2300 X1500	72+40	2	S100X11	BA	3.05		1.50	2.13	0.966	0.83	4.50	5.50	N/A	N/A	N/A	0.49	4.17	5.17	134.47				0.1560	
206	B	2300 X1500	108+10	2	S100X11	BA	3.05		1.50	2.13	0.966	0.13	3.75	4.75	N/A	N/A	N/A	0.18	3.83	4.83	122.01				0.1560	
207	B	2300 X1500	111+40	2	S100X11	BA	3.05		1.50	2.13	0.966	0.69	4.33	5.33	N/A	N/A	N/A	0.35	4.00	5.00	130.63				0.1560	
208	B	2300 X1500		2	S100X11	BA	3.05		1.50	2.13	0.966	0.52	4.17	5.17	N/A	N/A	N/A	0.40	4.00	5.00	128.72				0.1560	
209	B	2300 X1500		2	S100X11	BA	3.05		1.50	2.13	0.966	0.52	4.17	5.17	N/A	N/A	N/A	0.40	4.00	5.00	128.72				0.1560	
210	B	2300 X1500		2	S100X11	BA	3.05		1.50	2.13	0.966	0.77	4.42	5.42	N/A	N/A	N/A	0.81	4.42	5.42	136.38				0.1560	
211	B	2300 X1500		2	S100X11	BA	3.05		1.50	2.13	0.966	0.52	4.17	5.17	N/A	N/A	N/A	0.40	4.00	5.00	128.72				0.1560	
212	B	2200 X1500		2	S100X11	BA	3.05		1.50	2.13	0.966	0.35	4.00	5.00	N/A	N/A	N/A	0.38	4.00	5.00	126.80				0.1560	
213	B	2200 X1500		2	S100X11	BA	3.05		1.50	2.13	0.966	0.35	4.00	5.00	N/A	N/A	N/A	0.38	4.00	5.00	126.80				0.1560	
214	B	1900 X1500		1	S100X11	BA	3.05		1.50	2.13	0.966	0.50	4.17	5.17	N/A	N/A	N/A	N/A			65.32				0.0780	
215	B	1900 X1500		1	S100X11	BA	3.05		1.50	2.13	0.966	0.50	4.17	5.17	N/A	N/A	N/A	N/A			65.32				0.0780	
216	B	2100 X1500		1	S130X15	BA	3.05		1.50	2.13	0.814	0.54	4.17	5.00	N/A	N/A	N/A	N/A			84.00				0.1500	
217	B	2100 X1500		1	S130X15	BA	3.05		1.50	2.13	0.814	0.54	4.17	5.00	N/A	N/A	N/A	N/A			84.00				0.1500	
218	B	2100 X1500		1	S130X15	BA	3.05		1.50	2.13	0.814	0.36	4.00	4.83	N/A	N/A	N/A	N/A			81.52				0.1500	
219	B	2100 X1500		1	S130X15	BA	3.05		1.50	2.13	0.814	0.36	4.00	4.83	N/A	N/A	N/A	N/A			81.52				0.1500	
220	B	2100 X1500		1	S130X15	BA	3.05		1.50	2.13	0.814	0.54	4.17	5.00	N/A	N/A	N/A	N/A			84.00				0.1500	
221	B	2100 X1500		1	S130X15	BA	3.05		1.50	2.13	0.814	0.54	4.17	5.00	N/A	N/A	N/A	N/A			84.00				0.1500	
222	B	2100 X1500		1	S130X15	BA	3.05		1.50	2.13	0.814	0.36	4.00	4.83	N/A	N/A	N/A	N/A			81.52				0.1500	

NOTE: FIELD VERIFICATIONS SHALL BE REQUIRED FOR ALL SUPPORTS, SEE (*) ARTICLE 903-3. FABRICATORS SHALL BE AISC CERTIFIED IN CATEGORY 1, SEE (*) ARTICLE 1072-1. (*) = N.C.D.O.T. STANDARD SPECIFICATIONS FOR ROADS AND STRUCTURES

TOTAL	TOTAL	TOTAL	TOTAL	TOTAL	TOTAL
13845.83	1292.71	26.5860	4.3020		
USE:	13846	1293	27	5	

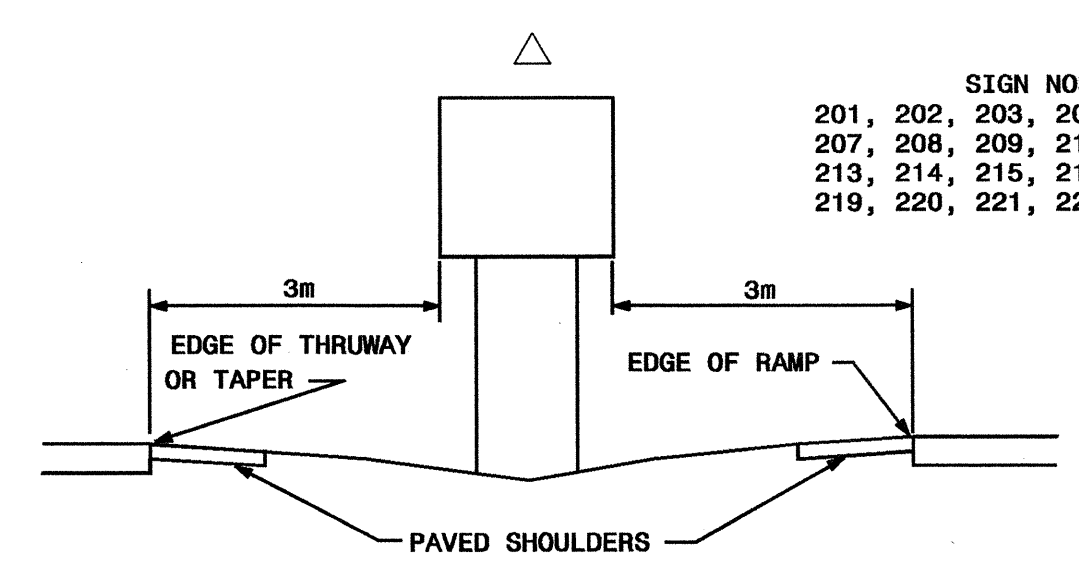
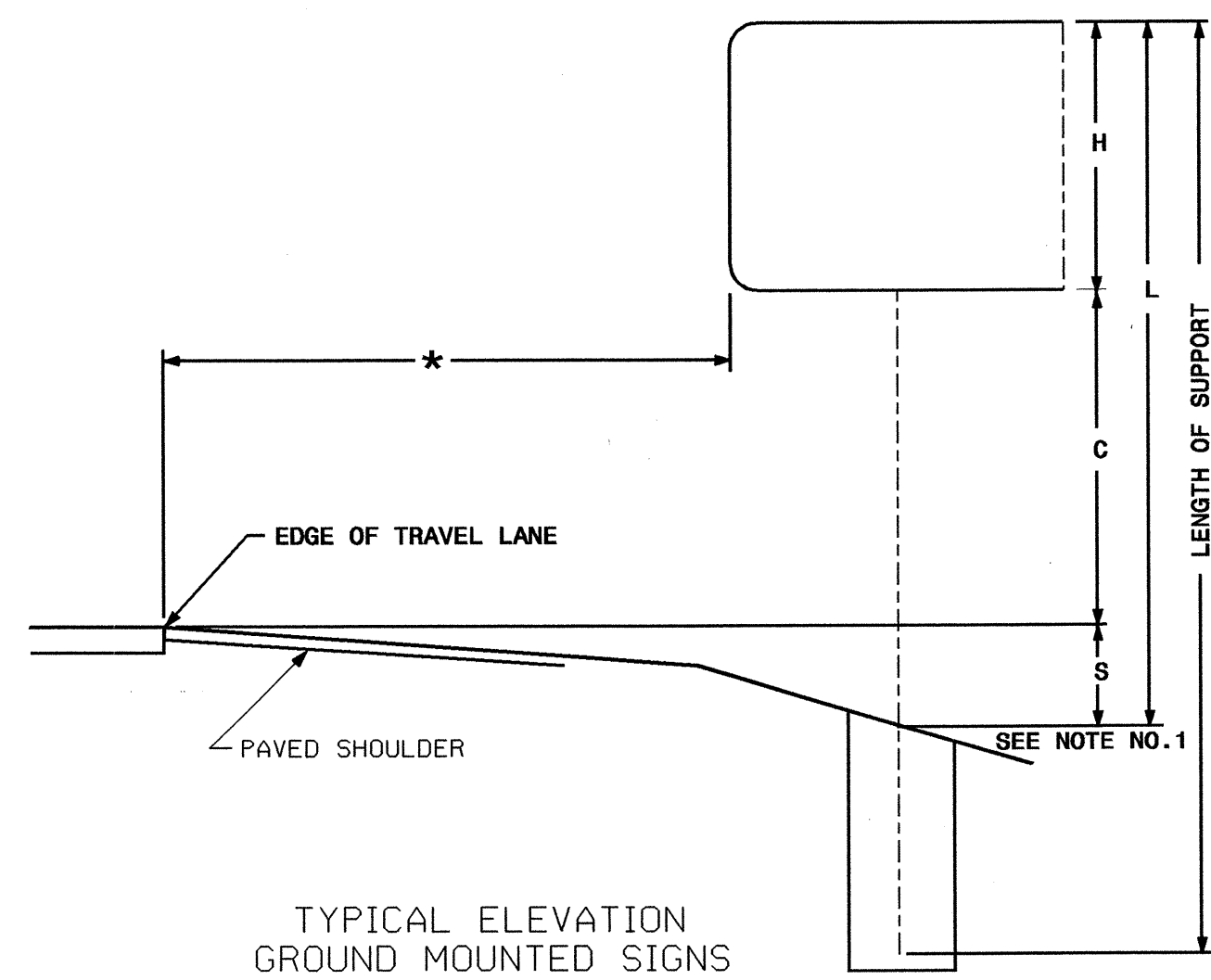
NOTES

- DIMENSION "S" REPRESENTS AN INCREASE (+), OR A DECREASE (-) IN POLE LENGTH, RELATIVE TO THE ELEVATION OF THE EDGE OF PAVEMENT.
- FIELD VERIFICATIONS SHALL BE REQUIRED FOR ALL SUPPORTS, SEE (*) ARTICLE 903-3. FABRICATORS SHALL BE AISC CERTIFIED IN CATEGORY 1, SEE (*) ARTICLE 1072-1. (*) = N.C.D.O.T. STANDARD SPECIFICATIONS FOR ROADS AND STRUCTURES
- PLAN LOCATIONS FOR EXISTING UTILITIES ARE BASED ON THE BEST AVAILABLE INFORMATION AND, THEREFORE MAY NOT BE PRECISELY ACCURATE. THEREFORE, IT IS INCUMBENT UPON THE CONTRACTOR TO DETERMINE THE EXACT LOCATION OF UTILITIES BEFORE BEGINNING WORK IN A LOCATION.

TYPE "D" GROUND MOUNTED SIGNS

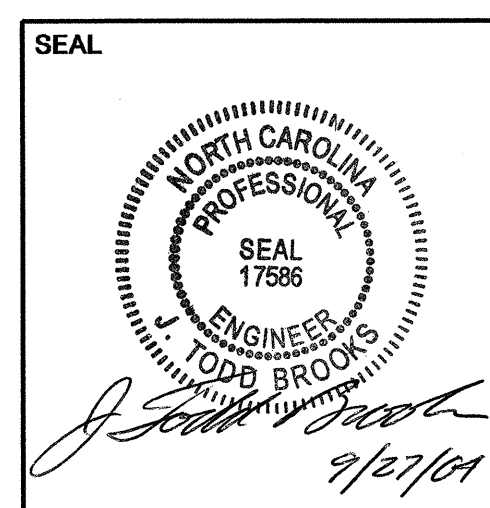
SIGN NO.	SIGN SIZE (mm) (w x h)	NO. OF "U" POSTS
301	1500 X 400	2
302	1900 X 800	2
303	2000 X 800	2
304, 305	600 X 300	1
306	1900 X 400	2
307	2000 X 400	2
308	2600 X 900	2
309	2600 X 900	2
310	2300 X 900	2
311	1900 X 800	2
312	2100 X 900	2
313	2300 X 900	2

SIGN NO.	SIGN SIZE (mm) (w x h)	NO. OF "U" POSTS
314	1400 X 400	2
315	2000 X 800	2
316	2000 X 900	2
317	1500 X 400	2
318	2000 X 800	2
319	2000 X 800	2
320	2000 X 800	2
321	2100 X 600	2
322	2000 X 800	2
323	1600 X 400	2
324	1700 X 400	2



SIGN NOS.
201, 202, 203, 204, 205, 206,
207, 208, 209, 210, 211, 212,
213, 214, 215, 216, 217, 218,
219, 220, 221, 222

SIGNS FURNISHED BY STATE
ALL SIGNS SHALL BE FIELD LOCATED BY THE ENGINEER



SUPPORT INFORMATION TYPE "D" SIGNS AND TYPICAL ELEVATIONS FOR GROUND MOUNTED SIGNS

SCALE	N.T.S.	N. C. DEPARTMENT OF TRANSPORTATION	REVISIONS
DATE	SEPTEMBER 2004	DIVISION OF HIGHWAYS	
SIGNING TECHNICIAN	JAWEMH	TRAFFIC ENGINEERING BRANCH	
SIGNING DESIGN ENG	LM MOON		
SIGNING PROJECT ENG	JT BROOKS		

PBS&J 1616 EAST MILLBROOK ROAD, SUITE 310
RALEIGH, NORTH CAROLINA 27609
PHONE: (919) 876-6888