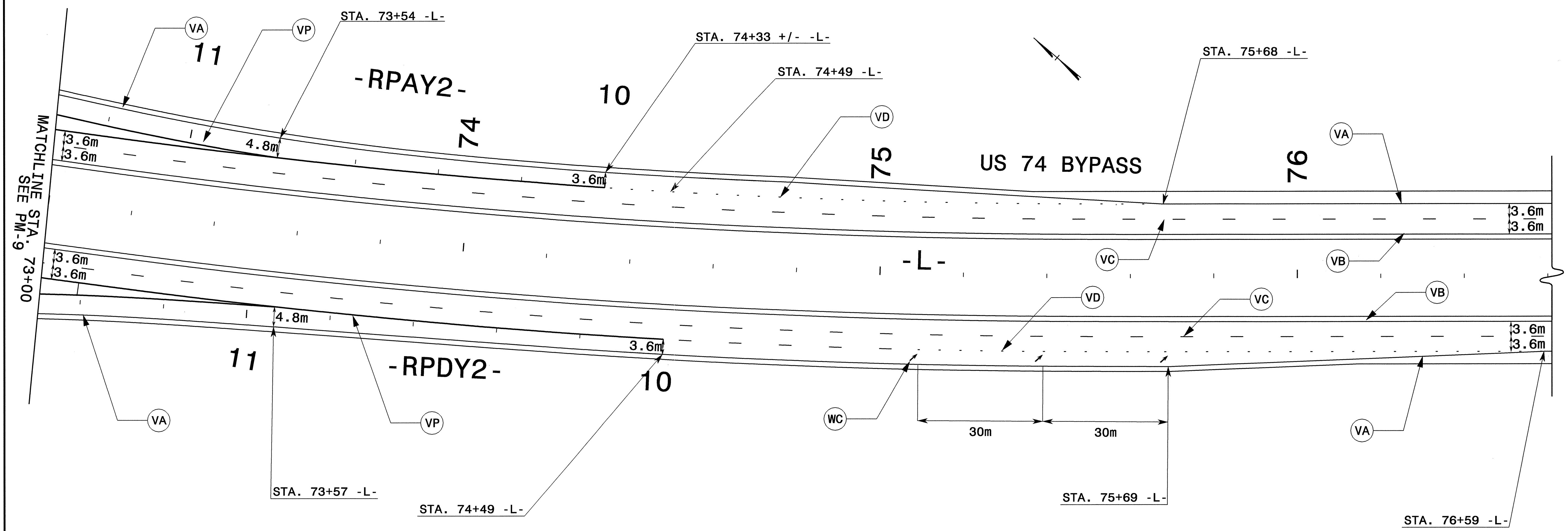




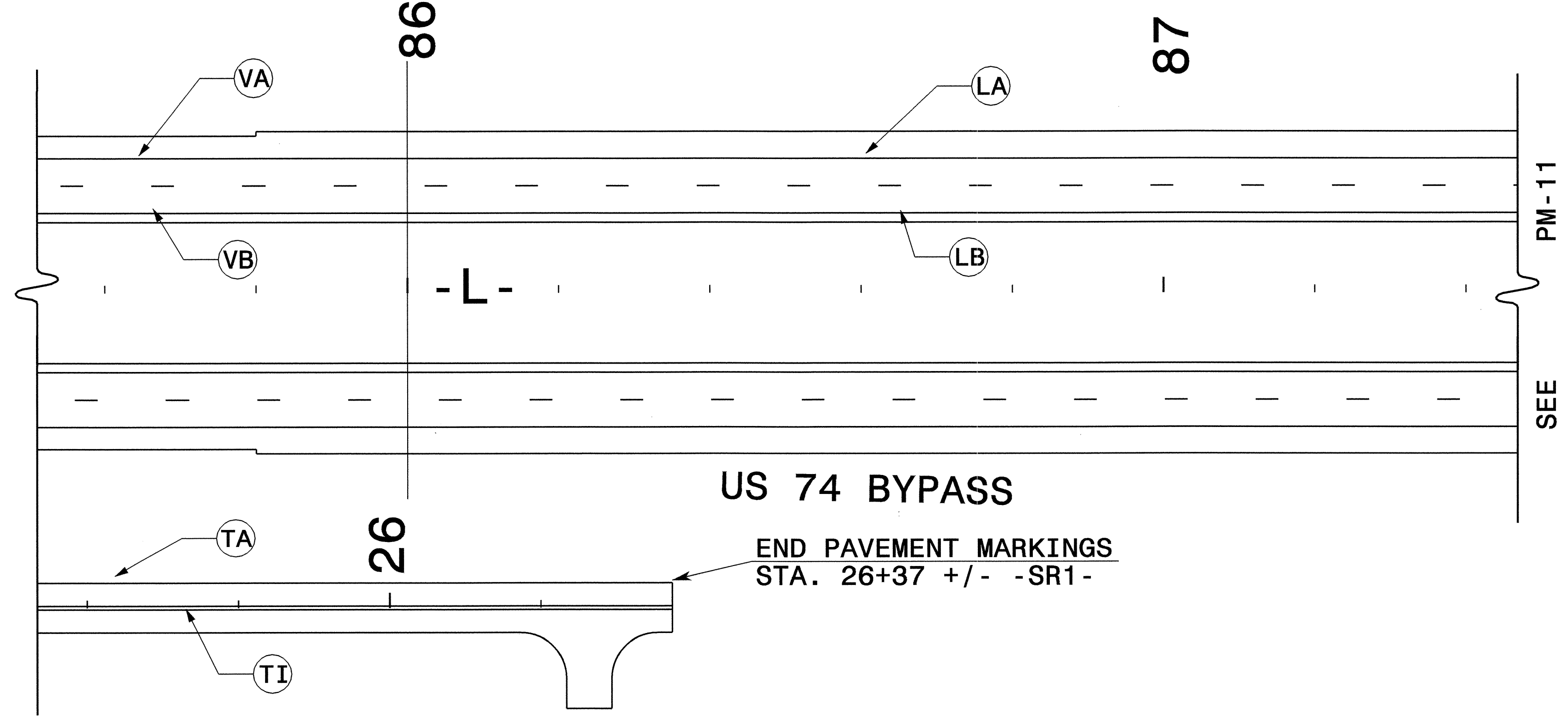
PROJ. REFERENCE NO.	SHEET NO.
R-0513A	PM-10



MATCHLINE STA. 73+00
SEE PM-9

END PROJECT
R-0513A
(CERAMIC BEADS)
STA. 86+00 -L-

BEGIN PROJECT
R-0513BA
(STANDARD BEADS)
STA. 86+00 -L-



R-0513A

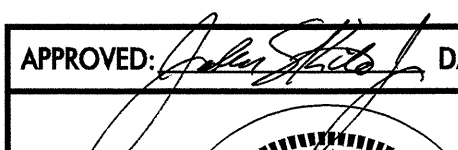
POLYUREA LEGEND (CERAMIC BEADS)

POLYUREA (100MM)	
VA	WHITE EDGELINE
VB	YELLOW EDGELINE
VC	3 M. WHITE SKIP
VD	0.5 M. WHITE MINISKIP
POLYUREA (200MM)	
VP	WHITE GORELINE
POLYUREA SYMBOLS	
WA	LEFT ARROW
WB	RIGHT ARROW
WC	STRAIGHT ARROW
WF	COMBO. STRAIGHT/LEFT
WG	LEFT/RIGHT/STRAIGHT

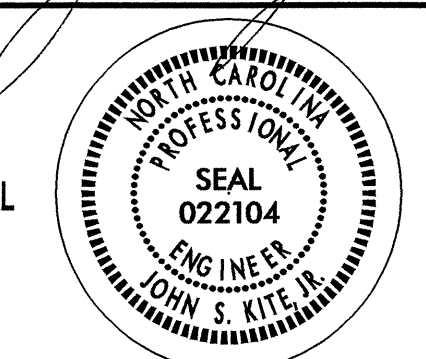
R-0513BA

POLYUREA LEGEND (STANDARD BEADS)

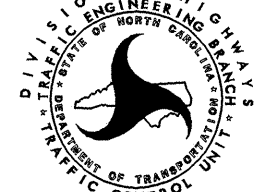
POLYUREA (100MM)	
VA	WHITE EDGELINE
VB	YELLOW EDGELINE
VC	3 M. WHITE SKIP
VD	0.5 M. WHITE MINISKIP
POLYUREA (200MM)	
VP	WHITE GORELINE
POLYUREA SYMBOLS	
WA	LEFT ARROW
WB	RIGHT ARROW
WC	STRAIGHT ARROW
WF	COMBO. STRAIGHT/LEFT
WG	LEFT/RIGHT/STRAIGHT

APPROVED:  DATE: 8/20/07

SEAL



FINAL PAVEMENT MARKING PLAN

SCALE:	NONE		REVISIONS
DATE:	03/03		
DWG. BY:	DAH		
DESIGN BY:	DAH		
REVIEWED BY:	JDK	CADD FILE	

20-AUG-2004 09:47
T:\TCP\PM\R0513A_TC_PMP10.dgn
dahyes AT TET192272