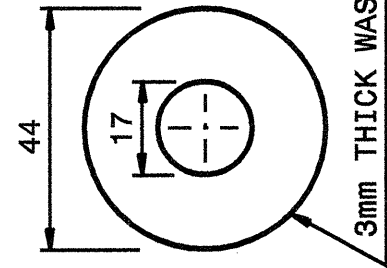
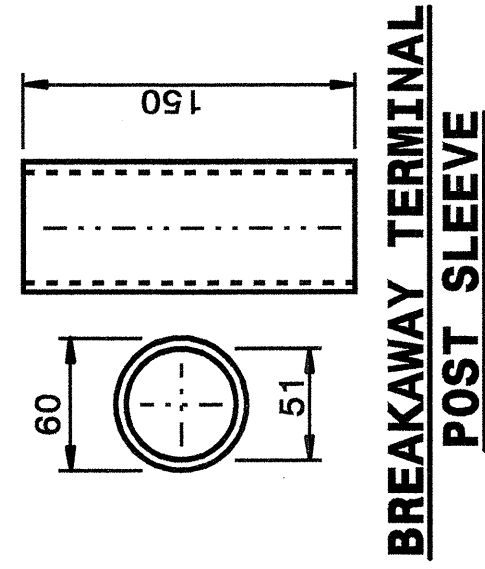


20-MAY-2003 07:54  
 W:\Special Details\erivard\stds\02\Stds to Special Details\metric\862D02\0862d02m.dgn  
 .spell -R1 D5196310

STATE OF  
 NORTH CAROLINA  
 DEPT. OF TRANSPORTATION  
 DIVISION OF HIGHWAYS  
 RALEIGH, N.C.

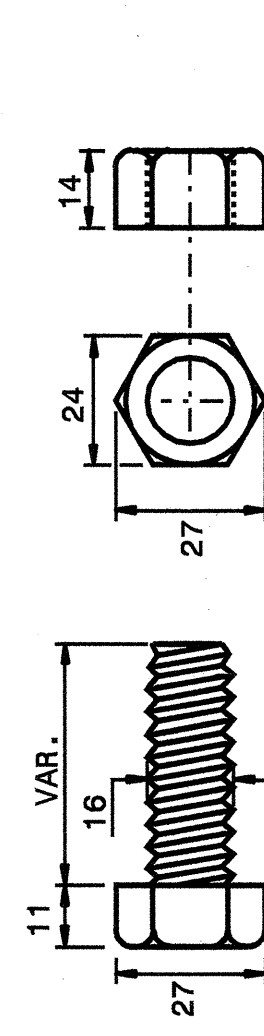
METRIC DETAIL DRAWING FOR  
**GUARDRAIL INSTALLATION**

SHEET 5 OF 7  
**862D02**

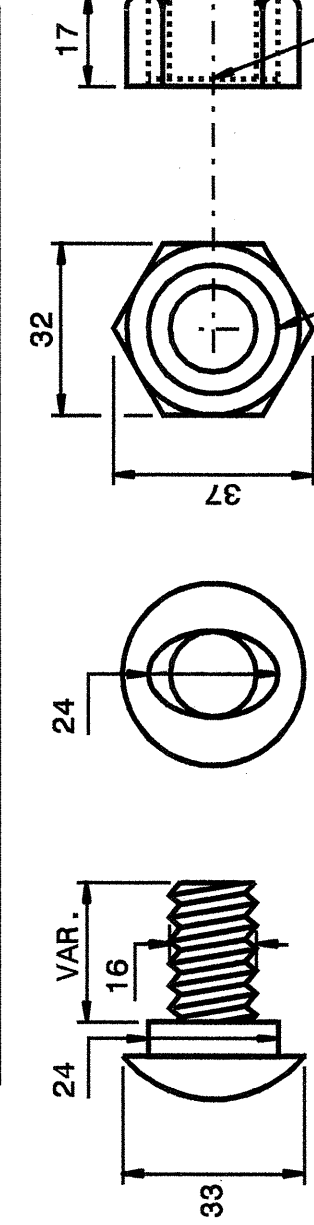


**DETAIL OF STANDARD WASHER**

STANDARD WASHER: TYPICAL USE UNDER NUT WITH WOOD POST



**DETAIL OF STANDARD HEX BOLT AND NUT**



**DETAIL OF BUTTON HEAD BOLT AND NUT**

24mm DIA. X  
 1.5mm DEEP RECESS

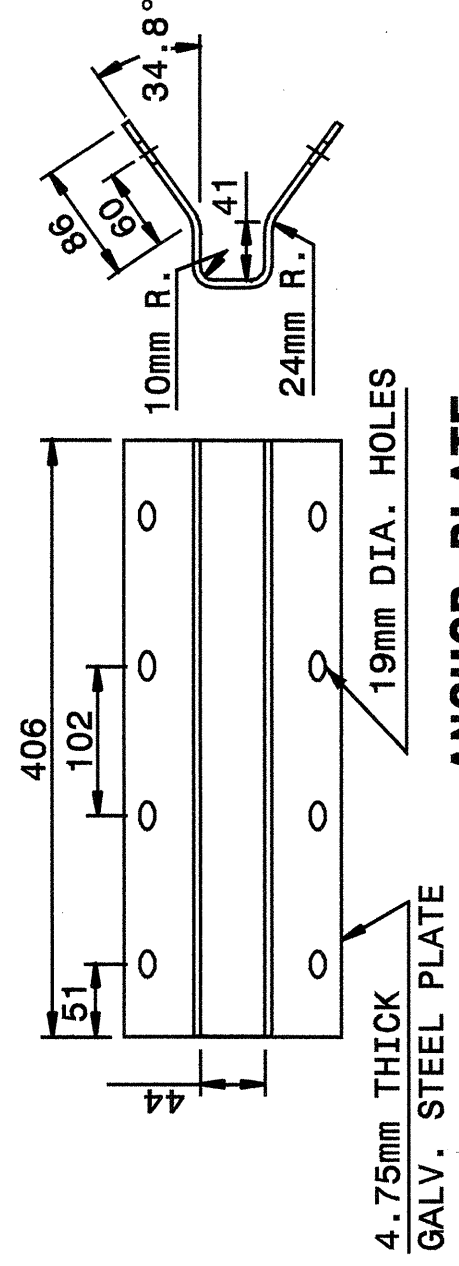
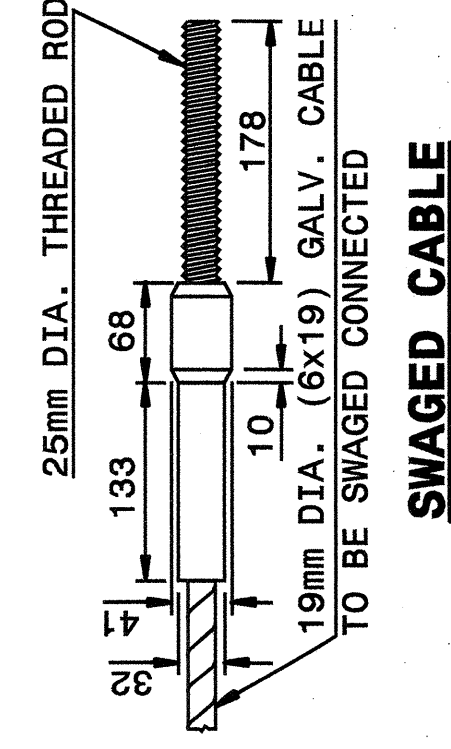
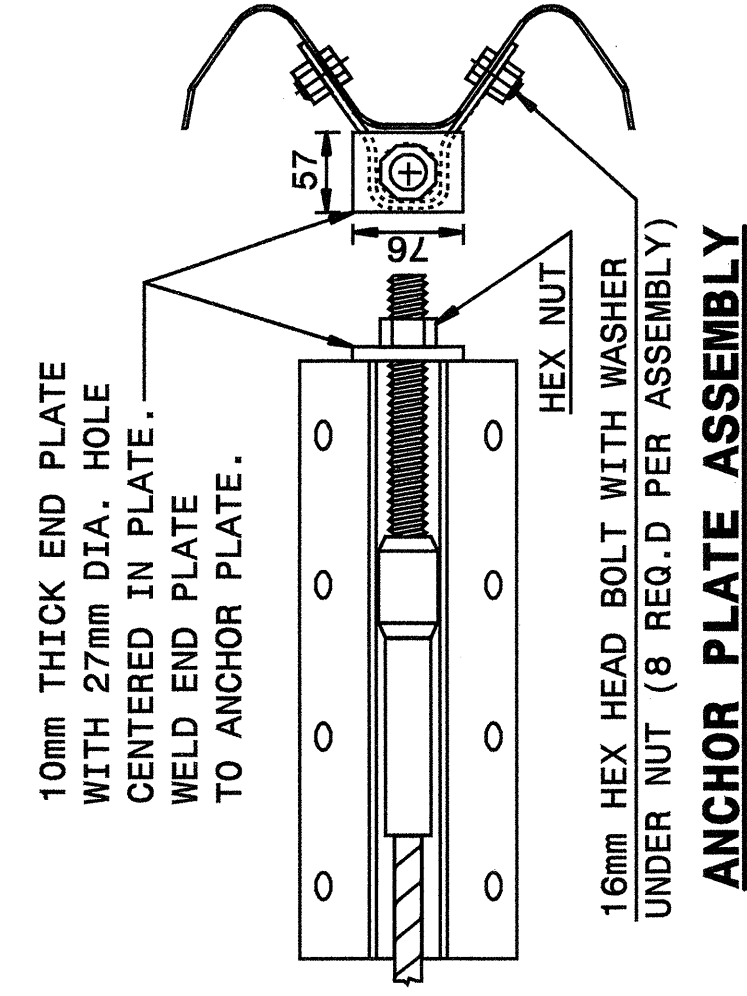
Note:  
 This drawing is dimensioned in  
 millimeters unless otherwise  
 depicted within the drawing.

**SYSTEM PARTS**

SHEET 5 OF 7  
**862D02**

STATE OF  
 NORTH CAROLINA  
 DEPT. OF TRANSPORTATION  
 DIVISION OF HIGHWAYS  
 RALEIGH, N.C.

METRIC DETAIL DRAWING FOR  
**GUARDRAIL INSTALLATION**



**CABLE ASSEMBLY**

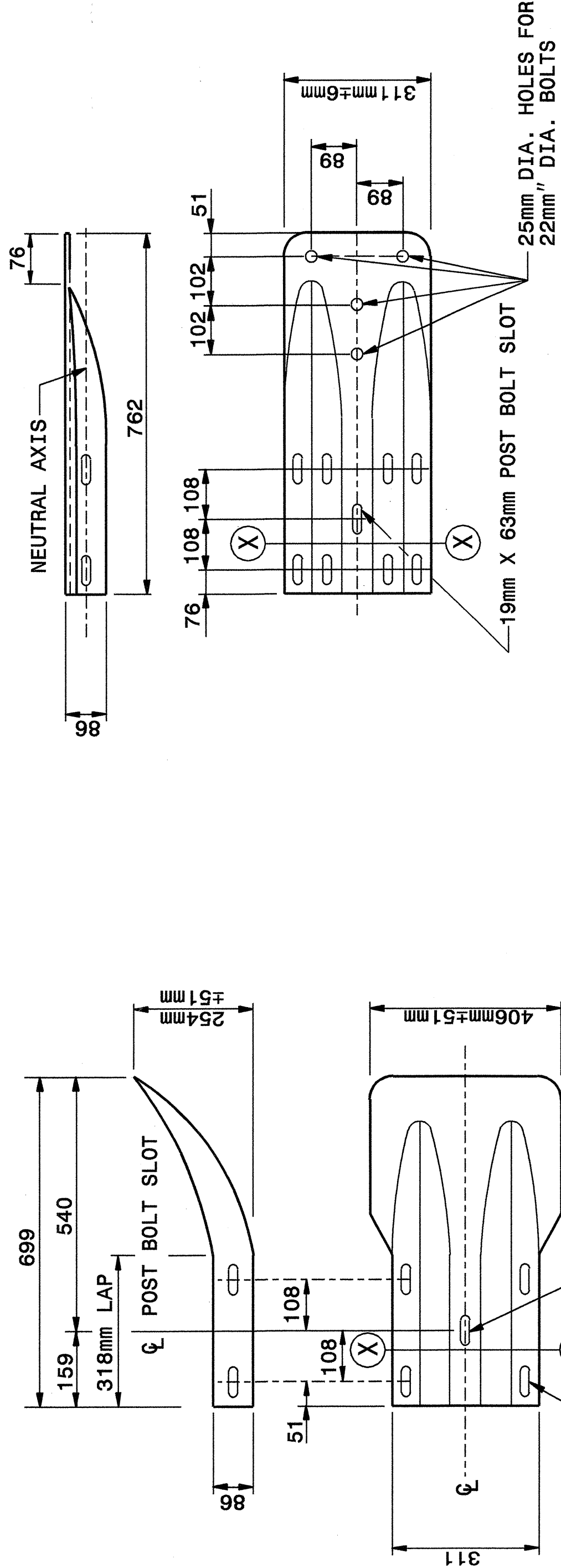
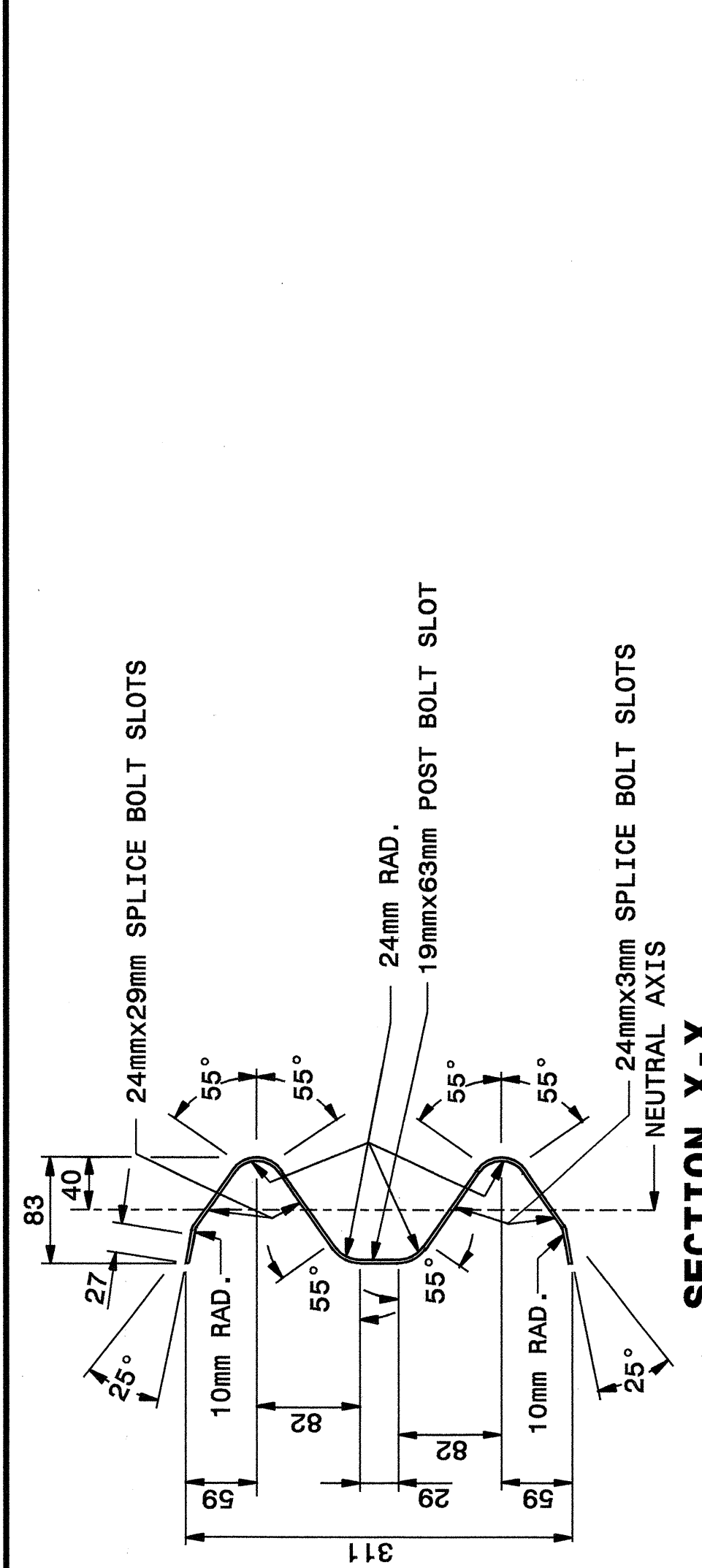
STATE OF  
 NORTH CAROLINA  
 DEPT. OF TRANSPORTATION  
 DIVISION OF HIGHWAYS  
 RALEIGH, N.C.

METRIC DETAIL DRAWING FOR  
**GUARDRAIL INSTALLATION**

SHEET 6 OF 7  
**862D02**

STATE OF  
 NORTH CAROLINA  
 DEPT. OF TRANSPORTATION  
 DIVISION OF HIGHWAYS  
 RALEIGH, N.C.

METRIC DETAIL DRAWING FOR  
**GUARDRAIL INSTALLATION**



Note:  
 This drawing is dimensioned in  
 millimeters unless otherwise  
 depicted within the drawing.

**SYSTEM PARTS - GENERAL USE**

DESIGN SERVICES UNIT  
 STANDARDS AND SPECIAL DESIGN  
 Office 919-250-4128 FAX 919-250-4119

**SEE PLATE FOR TITLE**

ORIGINAL BY: 2002 STD.862.02 DATE:  
 MODIFIED BY: E.E. WARD DATE: 02-09-03  
 CHECKED BY: J.S. HOWARD DATE: 5-05  
 FILE SPEC.: /usr/stds/02todet/1/metric/862D02/862D02m.dgn

