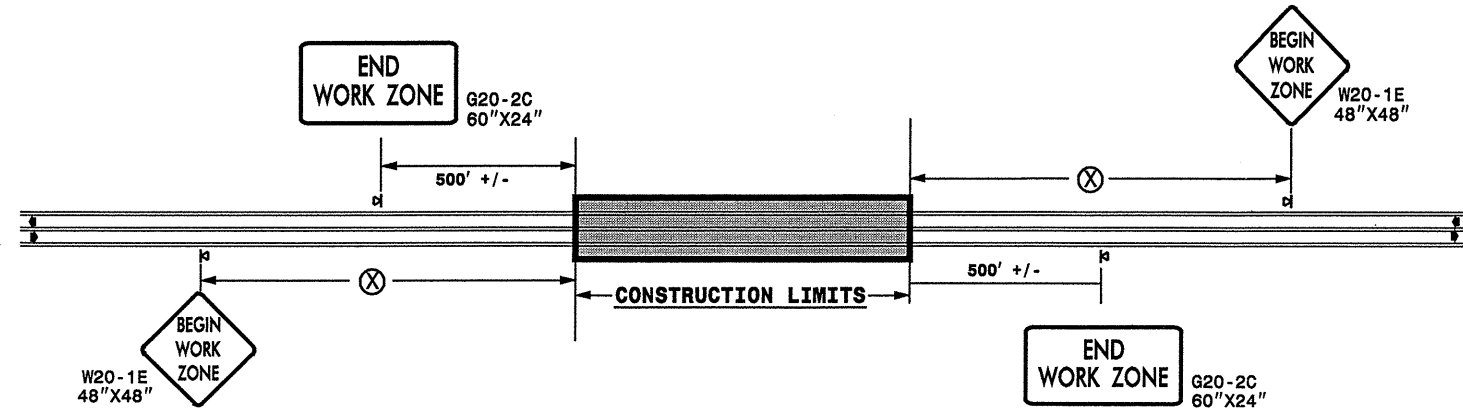


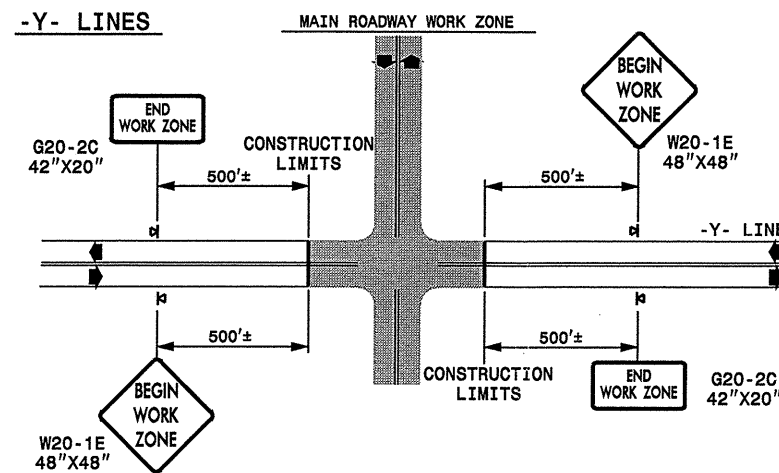
TWO-WAY UNDIVIDED WORK ZONE (L-LINES)



POSTED SPEED LIMIT (M.P.H.)	RECOMMENDED MINIMUM SIGN SPACING
≤ 35	300'
40 - 50	1150'
55	1600'

STATE OF NORTH CAROLINA
DEPT. OF TRANSPORTATION
DIVISION OF HIGHWAYS
RALEIGH, N.C.

ROADWAYS INTERSECTING ALONG 2 WAY UNDIVIDED WORK ZONE (Y-LINES)



DETAIL DRAWING FOR
TWO-WAY UNDIVIDED
WORK ZONE WARNING SIGNS


GENERAL NOTES

- DO NOT INSTALL ADVANCE WARNING SIGNS MORE THAN 3 DAYS PRIOR TO BEGINNING OF WORK.
- MOUNT SIGNS ON PORTABLE SIGN STANDS.
- ALL SIGN SPACING DIMENSIONS ARE APPROXIMATE. FIELD ADJUST AS NECESSARY OR AS DIRECTED.

LEGEND

- ◀ PORTABLE SIGN
- ◀ DIRECTION OF TRAFFIC FLOW

SHEET 1 OF 1

APPROVED: _____ DATE: _____	DETAIL DRAWING FOR TWO-WAY UNDIVIDED WORK ZONE SIGNS					
SEAL	SCALE: NONE	<table border="1"> <tr> <th>REVISIONS</th> </tr> <tr> <td> </td> </tr> <tr> <td> </td> </tr> <tr> <td> </td> </tr> </table>	REVISIONS			
	REVISIONS					
DATE: 09-06-2001						
DWG. BY: MMM						
DESIGN BY: MMM						
REVIEWED BY: _____	<table border="1"> <tr> <td>CARD FILE</td> </tr> </table>	CARD FILE				
CARD FILE						