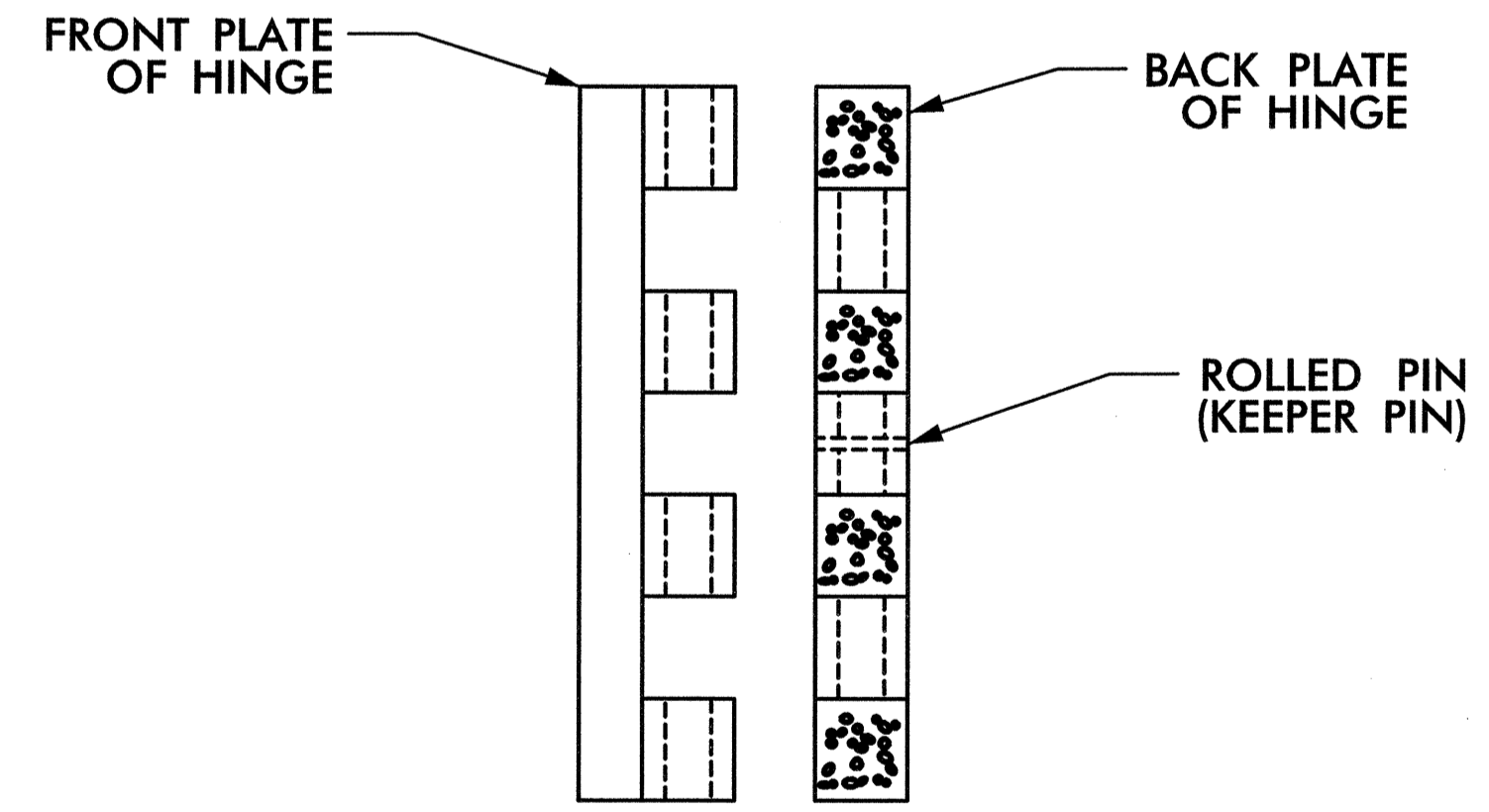
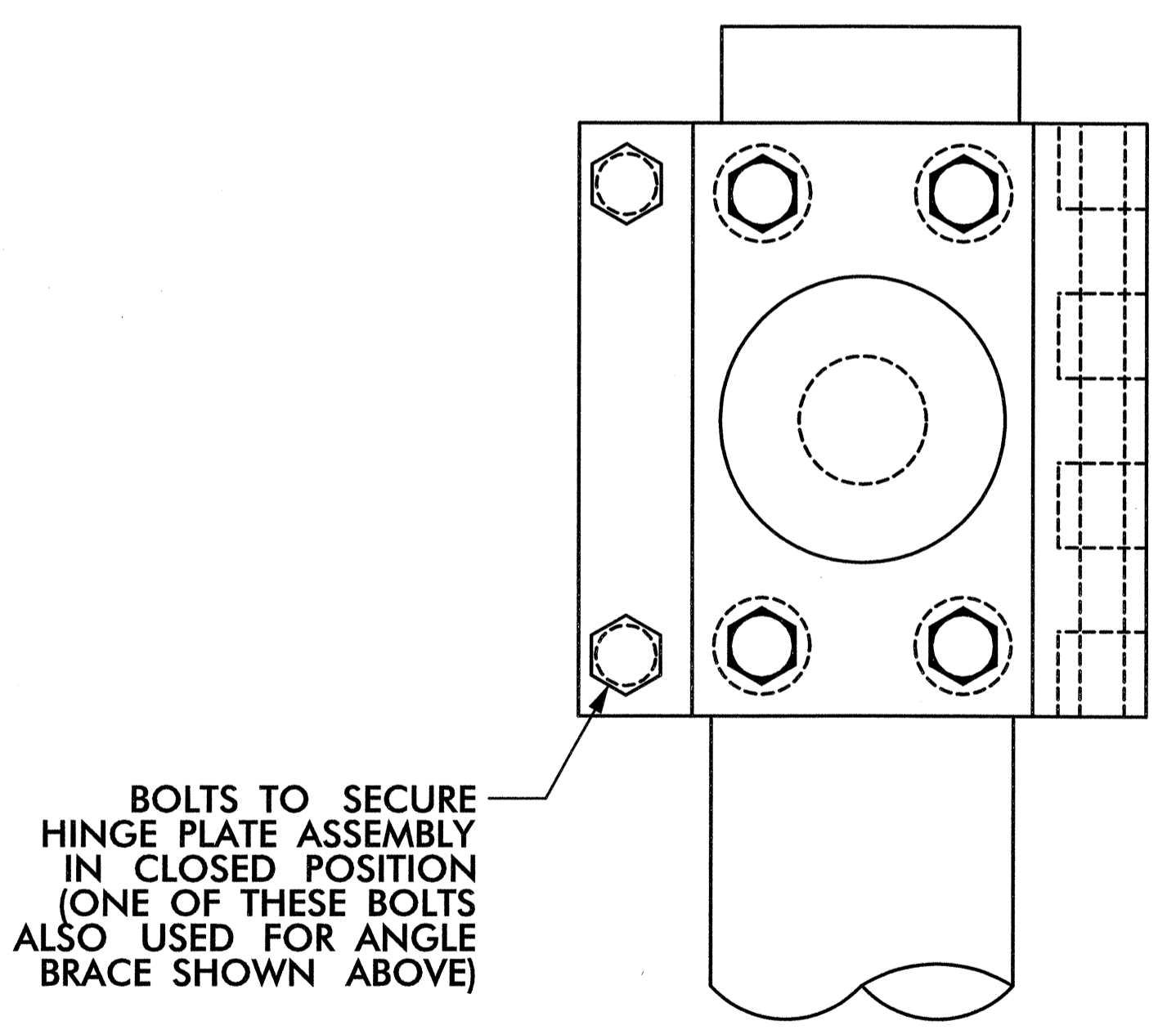


**HINGE PLATE IN OPEN POSITION WITH SUPPORT BRACE**



**HNTB** HNTB NORTH CAROLINA, P.C.  
343 E. Six Forks Road, Suite 200  
Raleigh, North Carolina 27609

	<b>MAST ARM HINGE PLATE ASSEMBLY</b>		
	DIVISION 07    ORANGE COUNTY    HILLSBOROUGH PLAN DATE: OCTOBER 2003    REVIEWED BY: J.P. HOCHANADEL PREPARED BY: K.H. IDE    REVIEWED BY: H.L. WINSTEAD	REVISIONS INIT.    DATE _____ _____	