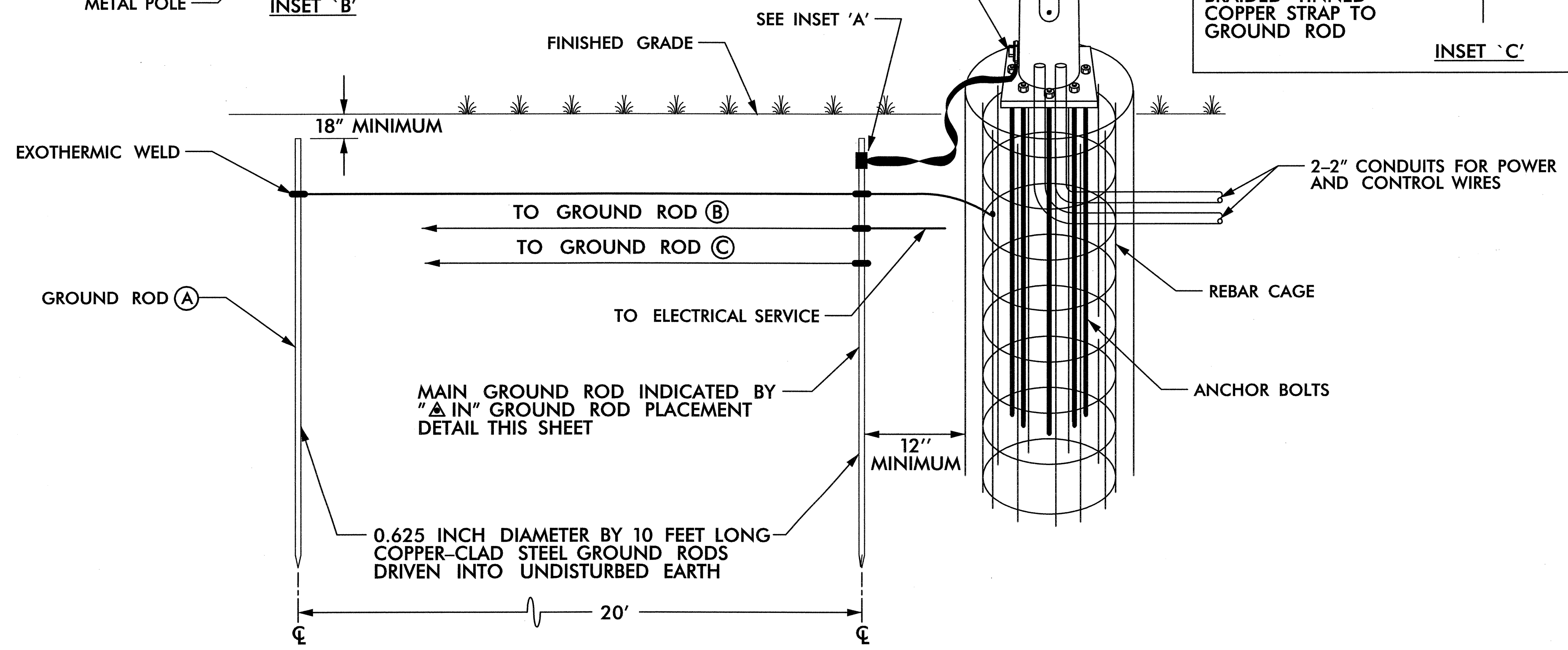
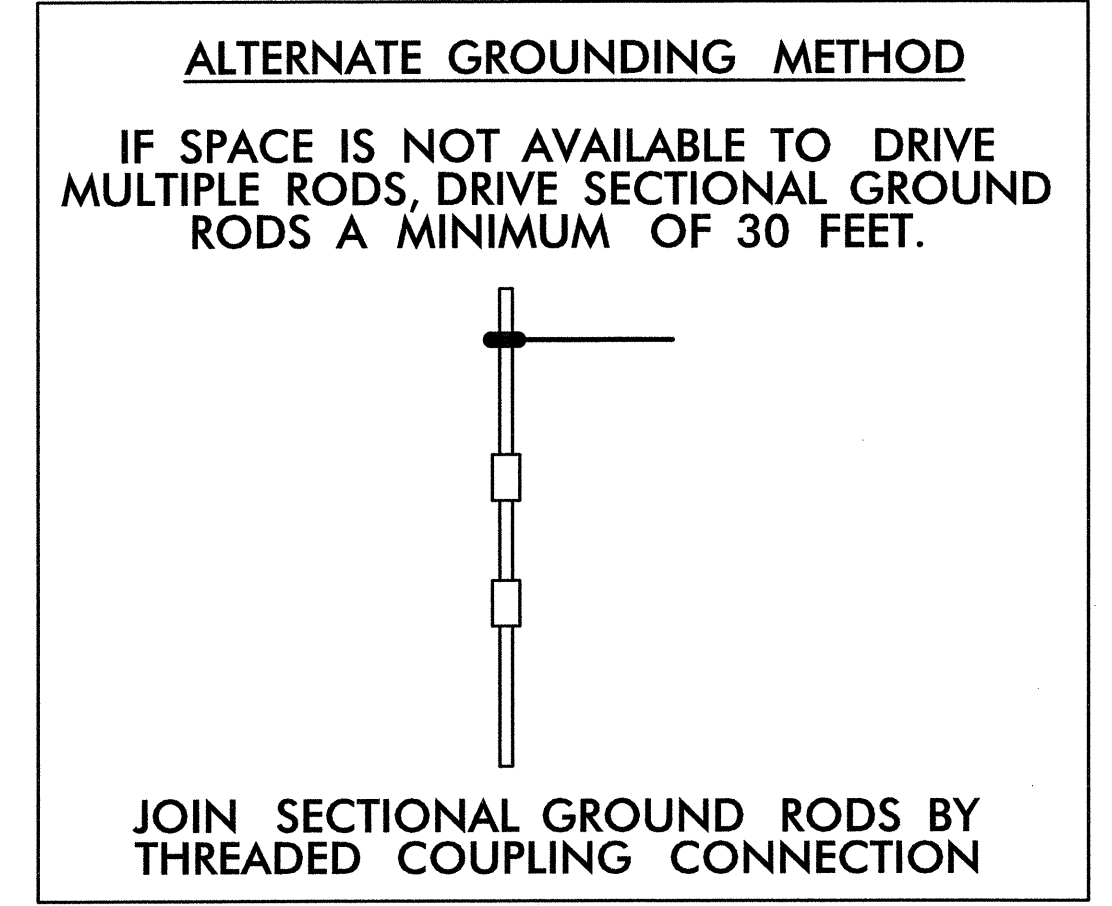
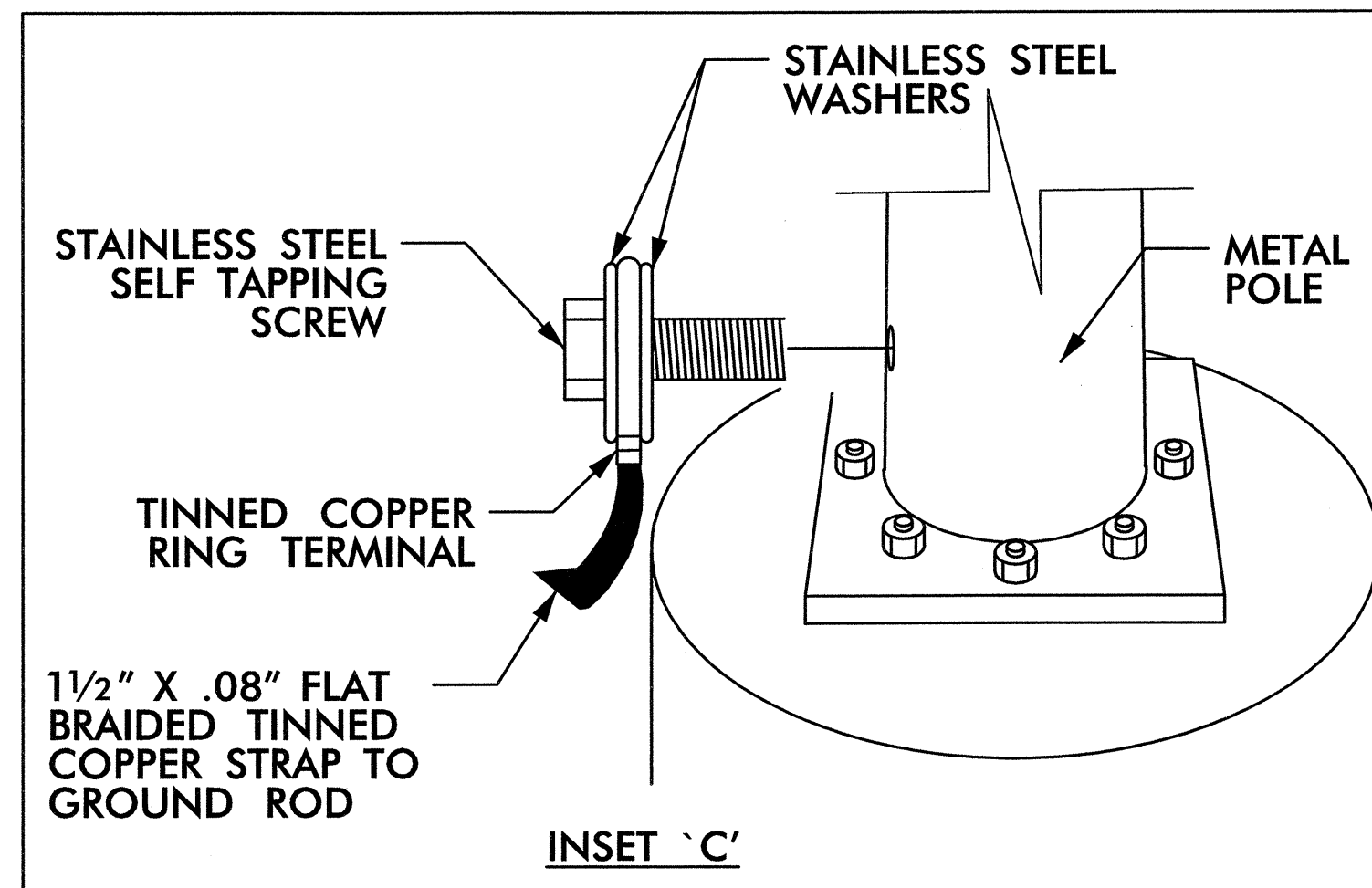
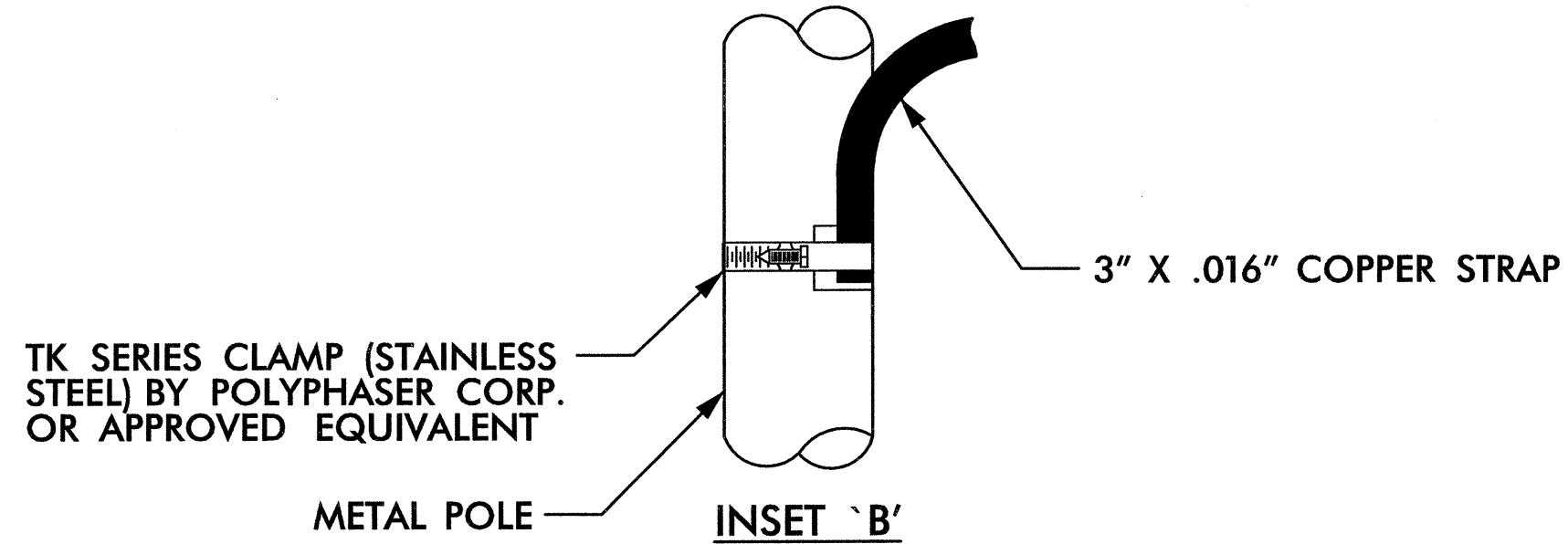


BOND #4 AWG SOLID BARE COPPER WIRE TO CAMERA SUPPORT BASE BY A STEEL TO COPPER #2 - #14 AWG LUG. ATTACH TO CAMERA BASE WITH A STAINLESS STEEL SELF TAPPING SCREW.



**NOTES:**

1. BOND 1 1/2" X .016" FLAT BRAIDED TINNED COPPER STRAP TO THE MAIN GROUND ROD BY AN EXOTHERMIC WELD METHOD.
2. EXOTHERMICALLY WELD ALL CONNECTIONS TO GROUND RODS.
3. BOND #4 AWG SOLID BARE COPPER WIRE TO THE RISER(S).
4. ENSURE CAMERA HOUSING, CAMERA, PAN-TILT UNIT AND AIR TERMINAL EXTENSION PLATE ARE BONDED TO POLE.
5. THE CONTRACTOR MAY, UPON APPROVAL OF THE ENGINEER, INSTALL A 30-FOOT SECTIONAL GROUND ROD WHEN CONDITIONS WILL NOT ALLOW FOR THE INSTALLATION OF THE 3-AUXILIARY GROUND RODS.
6. INSTALL MARKER TAPE DIRECTLY ABOVE ALL GROUNDING ELECTRODES AND CONDUCTORS AT A DEPTH OF 12".

**GROUNDING REQUIREMENTS FOR METAL CCTV CAMERA POLES**  
N.T.S.

**HNTB** HNTB NORTH CAROLINA, P.C.  
343 E. Six Forks Road, Suite 200  
Raleigh, North Carolina 27609

	Prepared for: <b>GROUNDING REQUIREMENTS FOR CCTV CAMERA POLE</b>		SEAL 
	DIVISION 07 ORANGE COUNTY HILLSBOROUGH PLAN DATE: OCTOBER 2003 REVIEWED BY: E.T. GARRETT PREPARED BY: E.T. GARRETT REVIEWED BY: H.L. WINSTEAD	SCALE: NONE REVISIONS: _____ INIT. DATE: _____ SIGNATURE: <i>H. L. Winstead</i> 9/14/04 DATE: _____ CADD FILE NAME: tms-21.dgn	