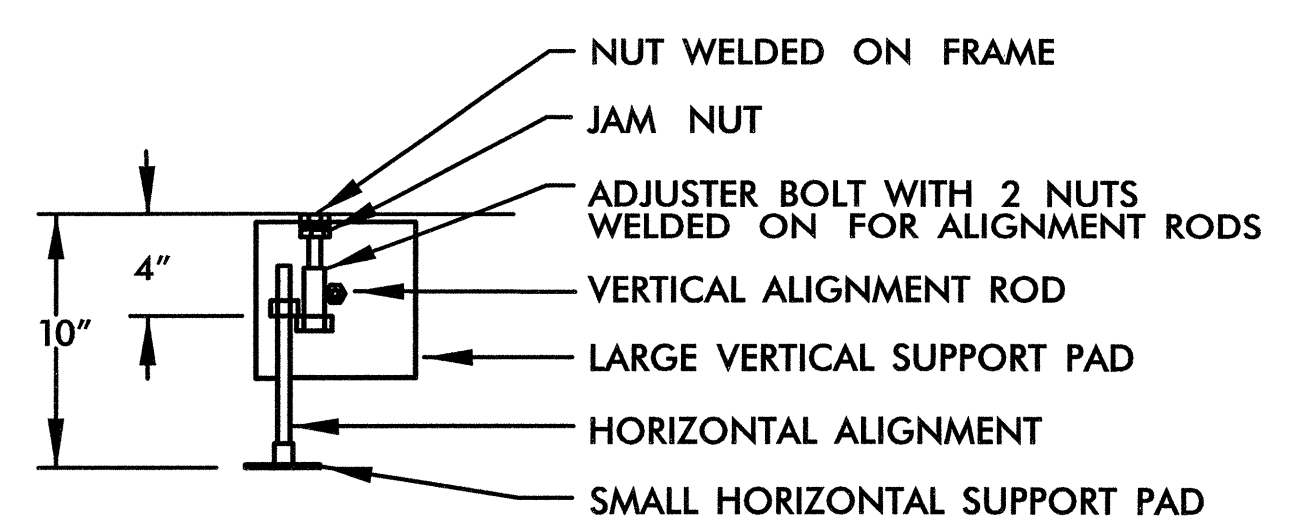
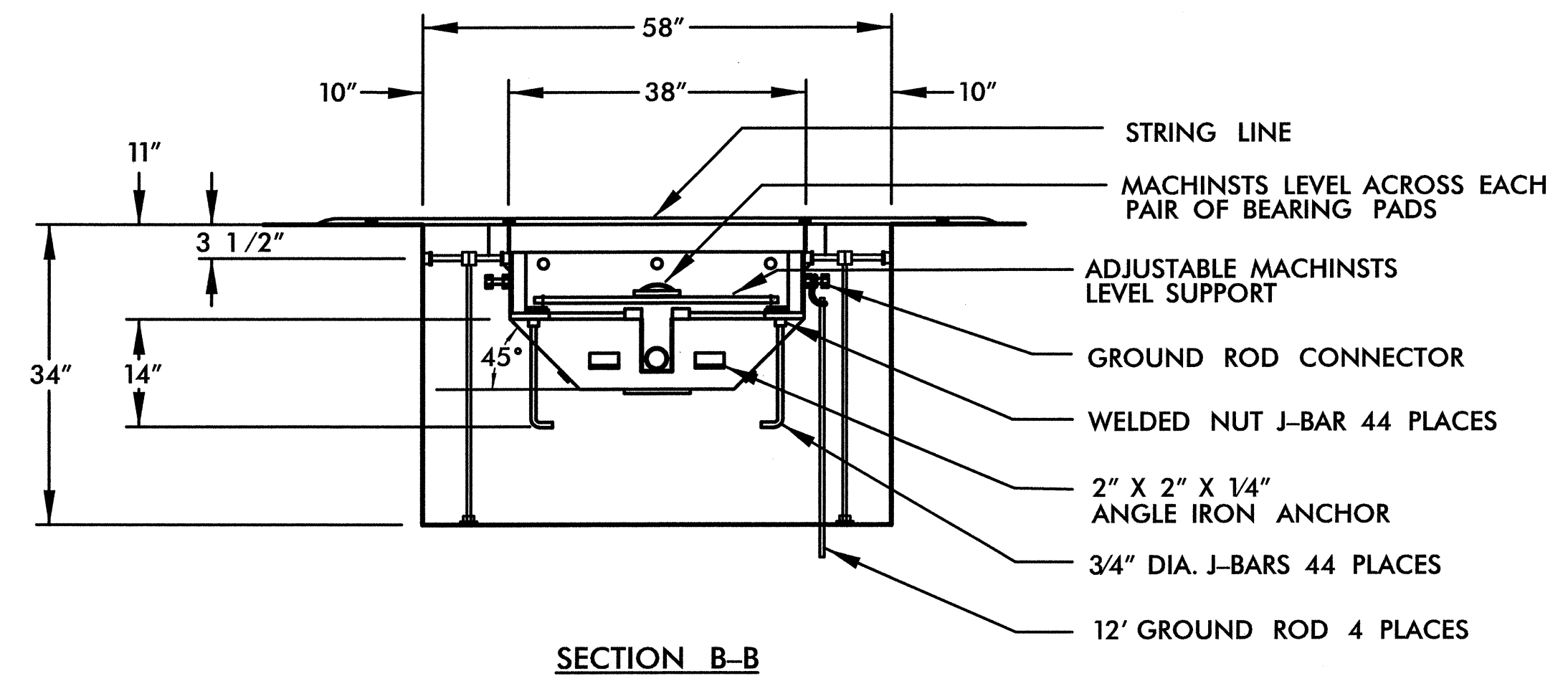
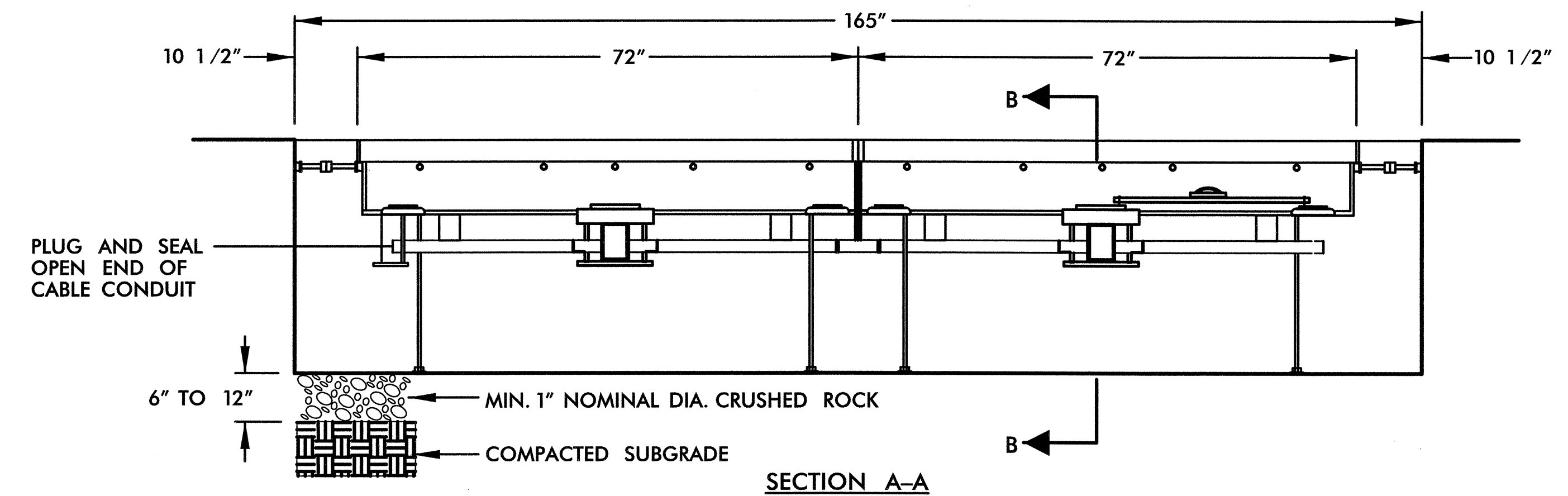


GENERAL INSTALLATION INSTRUCTIONS:

1. INSTALL CONCRETE ANCHOR BOLTS, JACK SCREWS AND J-BARS ONTO SCALE FRAMES.
2. EXCAVATE SCALE VAULT TO DEPTH OF 40" AND COMPACT PIT BOTTOM.
3. PLACE 6" OF 1" NOMINAL CRUSHED ROCK AND VIBRATE COMPACT.
4. SET FRAME IN PREPARED PIT WITH NECESSARY REBAR CAGE.
5. INSTALL DRAIN PIPES AND CONDUITS. SEAL ALL CONNECTIONS. DRAINAGE AT EDGE OF ROADWAY MUST ALLOW FREE FLOW AWAY FROM THE OUTLET OF DRAIN PIPE. THE OUT MUST BE WELL ABOVE THE HIGH WATER LEVEL OF THE DITCH OR MANHOLE. THE FLOW ALONG THE DRAIN AND AWAY FROM THE OUTLET MUST BE MAINTAINED AT ALL TIMES.
6. USE JACK SCREWS TO POSITION FRAME PROPERLY - HORIZONTALLY AND VERTICALLY.
7. INSTALL GROUND CLAMPS AND GROUND RODS.
8. LOCATE THE EDGE OF THE SCALE FRAME FLUSH WITH THE SURROUNDING ROAD SURFACE USING A STRING LINE FROM THE ROADWAY ACROSS THE CORNERS OF THE SCALE FRAME.
9. FINAL SET OF THE SCALE USING A MACHINISTS LEVEL MOUNTED ON AN ADJUSTABLE SUPPORT, SPANNING ACROSS ADJACENT SCALE BEARING PADS TO ENSURE THAT ALL FRAMES EDGES ARE PARALLEL AND THERE IS NO TWIST IN THE FRAME.
10. POUR AND VIBRATE CONCRETE AROUND FRAME. CONCRETE SHOULD HAVE MAX. SLUMP OF 3".
11. SLOPE AND FINISH PIT SURFACE AND SCALE FRAME FLOOR FOR PROPER DRAINAGE TO DRAINPIPE INLET.
12. INSTALL SCALES WHEN CONCRETE IS CURED. MIN. 4000 PSI ULTIMATE COMPRESSIVE STRENGTH.
13. THE INFORMATION SHOWN ON THIS SHEET IS BASED ON THE INTERNATIONAL ROAD DYNAMICS (IRD) SINGLE LOAD CELL SCALE AS IDENTIFIED IN THE SPECIAL PROVISIONS AND SHALL NOT BE USED TO FABRICATE OR RE-ENGINEER THE SCALE WITHOUT WRITTEN PERMISSION FROM IRD. AS IDENTIFIED IN THE SPECIAL PROVISIONS, THE CONTRACTOR MAY PROVIDE A FUNCTIONALLY EQUIVALENT ALTERNATIVE, COMPATIBLE WITH EXISTING EQUIPMENT.



	MISCELLANEOUS DETAILS SINGLE LOAD CELL SCALE FRAME INSTALLATION DETAIL		SEAL
	DIVISION 07 ORANGE COUNTY HILLSBOROUGH PLAN DATE: AUG 2001 REVIEWED BY: JL PREPARED BY: ETG REVIEWED BY: DEH	REVISIONS INIT. DATE N.T.S.	
HNTB NORTH CAROLINA, P.C. 343 E. Six Forks Road, Suite 200 Raleigh, North Carolina 27609			SIGNATURE: <i>Harvey L. Winstead</i> DATE: 9/27/04 CADD FILE NAME: tms-23.dgn