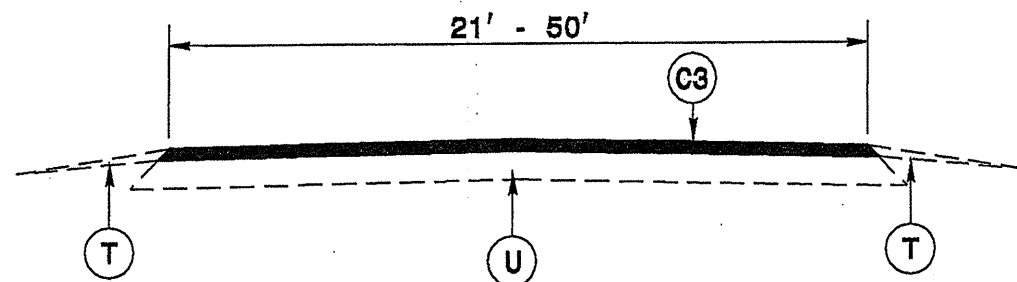
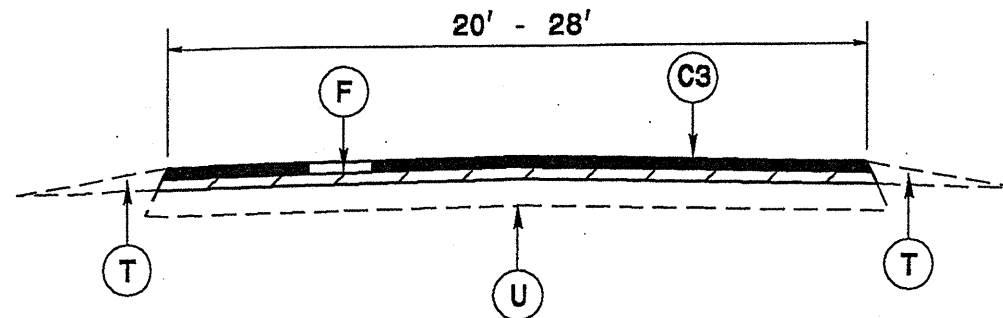


STATE	PROJECT NO.	SHEET NO.	TOTAL SHEETS
N.C.	7CR.10681.3, ETC.	8	20

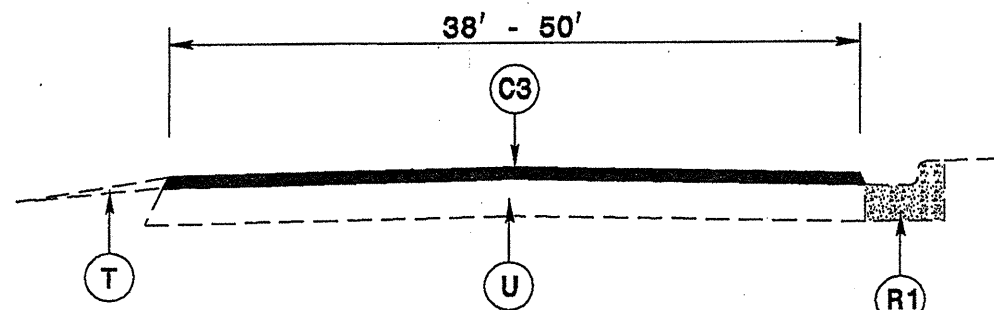
7CR.10681.3  
 7CR.20171.3  
 7CR.20681.3  
 7CR.306802.3  
 7CR.306811.3



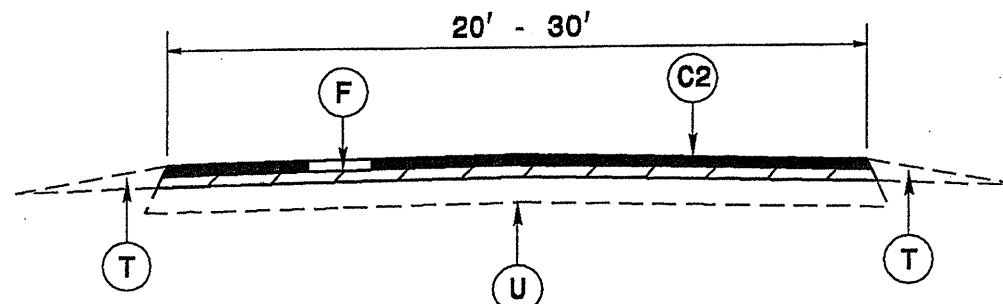
TYPICAL SECTION NO. 1



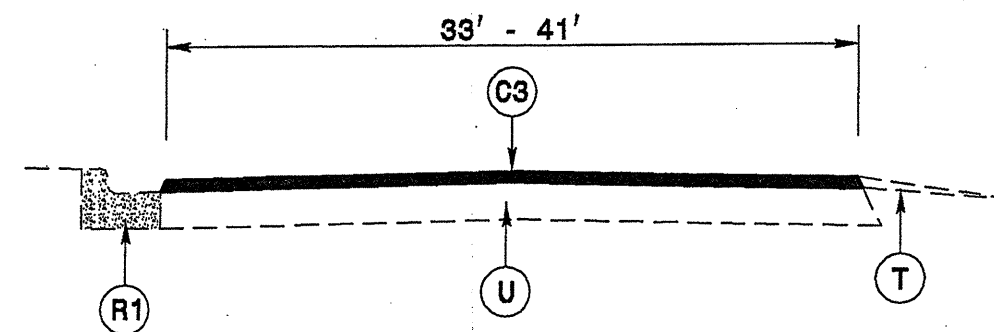
TYPICAL SECTION NO. 5



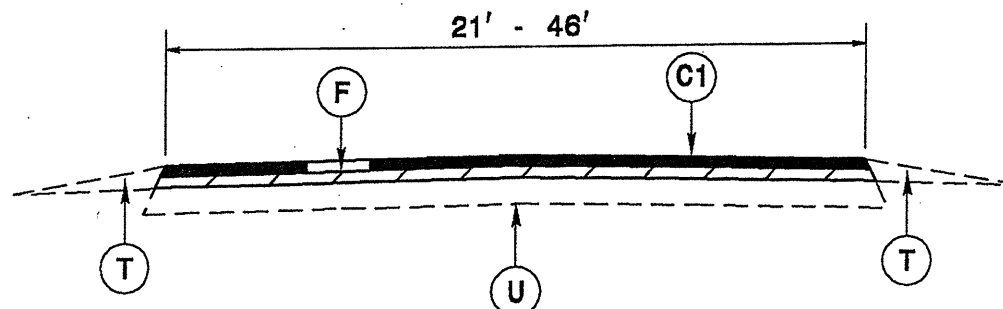
TYPICAL SECTION NO. 2



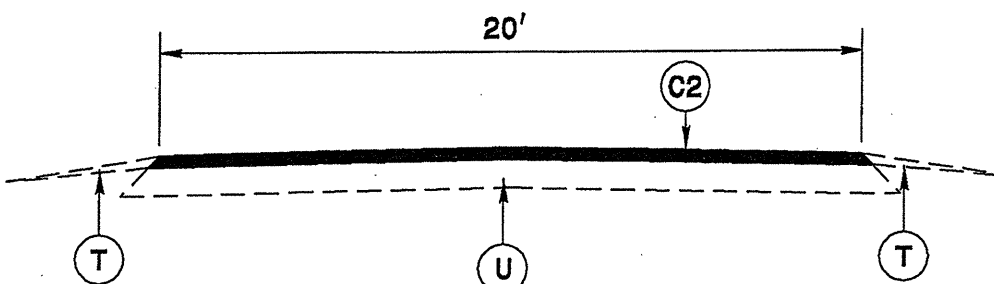
TYPICAL SECTION NO. 6



TYPICAL SECTION NO. 3



TYPICAL SECTION NO. 7



TYPICAL SECTION NO. 4

PAVEMENT SCHEDULE			
C1	PROP. APPROX. 1 1/4" ASPHALT CONCRETE SURFACE COURSE, TYPE S9.5B, AT AN AVERAGE RATE OF 140 LBS. PER SQ. YD.	D	PROP. APPROX. 3" ASPHALT CONCRETE INTERMEDIATE COURSE, TYPE I19.0B, AT AN AVERAGE RATE OF 338 LBS. PER SQ. YD.
C2	PROP. APPROX. 1" ASPHALT CONCRETE SURFACE COURSE, TYPE SF9.5A, AT AN AVERAGE RATE OF 110 LBS. PER SQ. YD.	F	ASPHALT SURFACE TREATMENT, NO. 78M STONE.
C3	PROP. APPROX. 1 1/2" ASPHALT CONCRETE SURFACE COURSE, TYPE S9.5B, AT AN AVERAGE RATE OF 168 LBS. PER SQ. YD.	R1	2-6 CURB AND GUTTER
		R2	VALLEY GUTTER
		U	EXISTING PAVEMENT.
		T	EARTH MATERIAL.