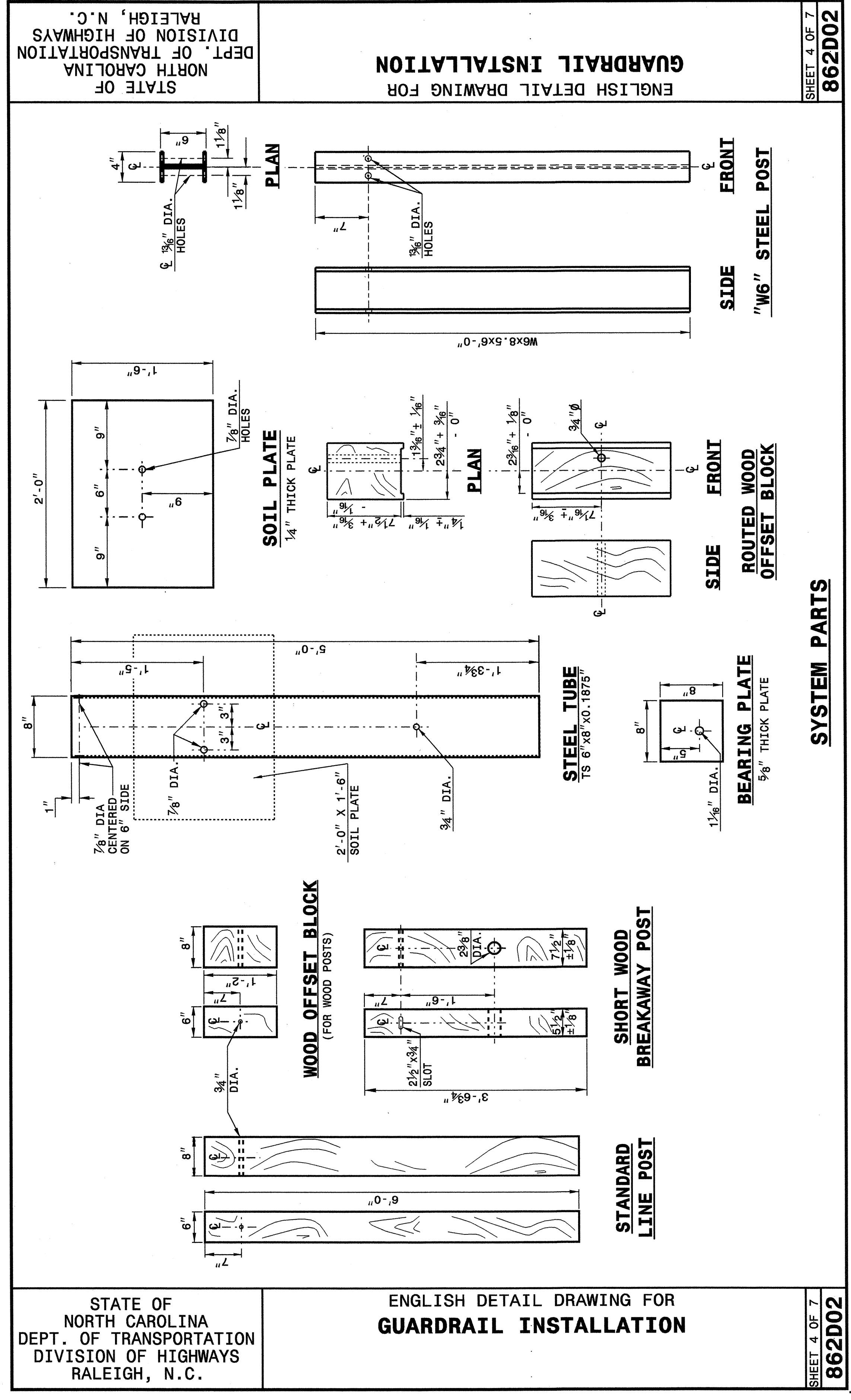
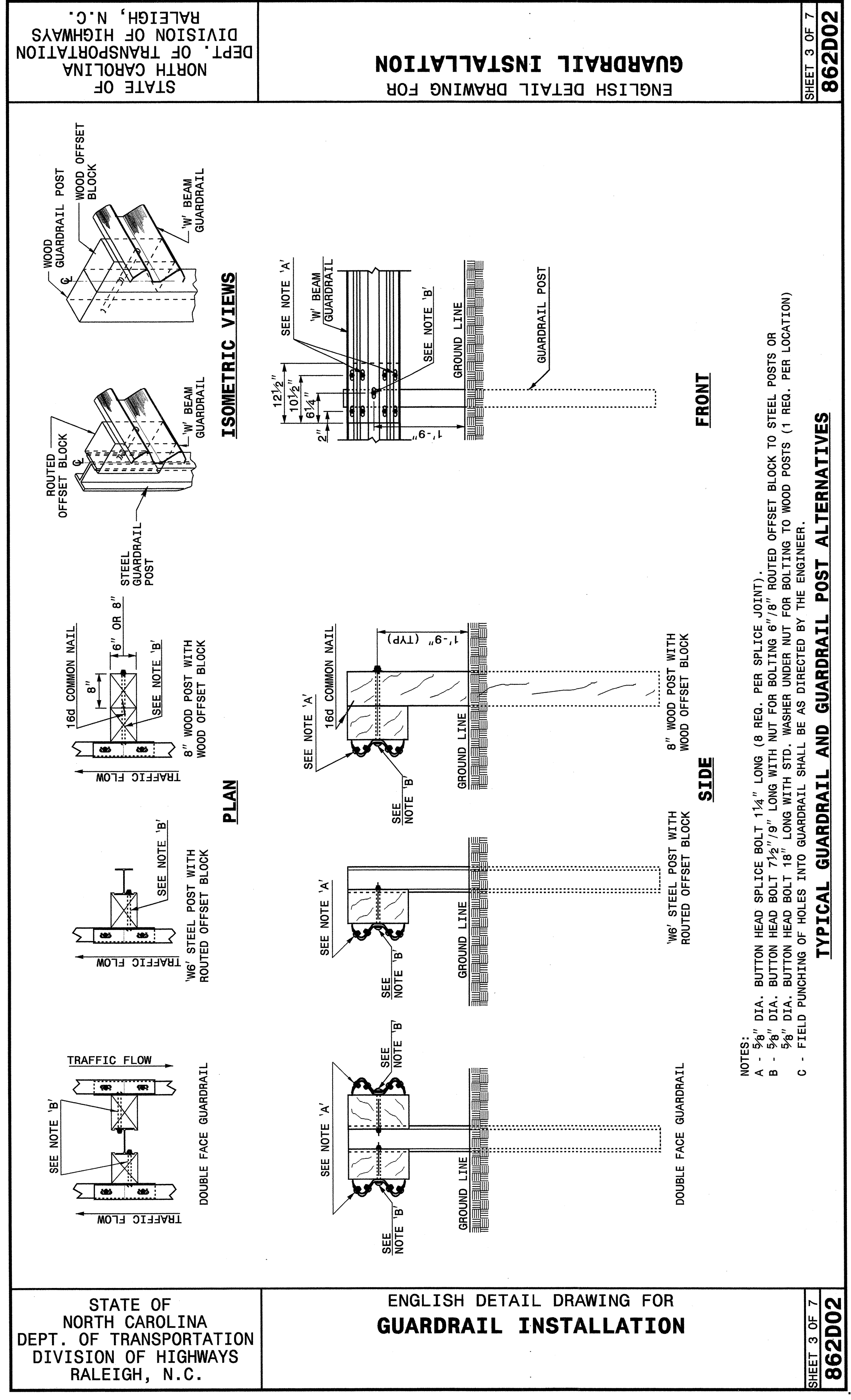


02-APR-2004 11:01 I:\projects\stds\02\stds to Special Details\english\86202\0862d02.dgn
 ericward at 05/21/2006



DESIGN SERVICES UNIT
STANDARDS AND SPECIAL DESIGN
Office 919-250-4128 FAX 919-250-4119

SEE PLATE FOR TITLE

ORIGINAL BY: 2002 STD.862.02 DATE:
 MODIFIED BY: E.E. WARD DATE: 02-09-03
 CHECKED BY: *Eric Ward* DATE: 4-29-04
 FILE SPEC.: I:\stds\02\stds to Special Details\english\86202\862d02.dgn

