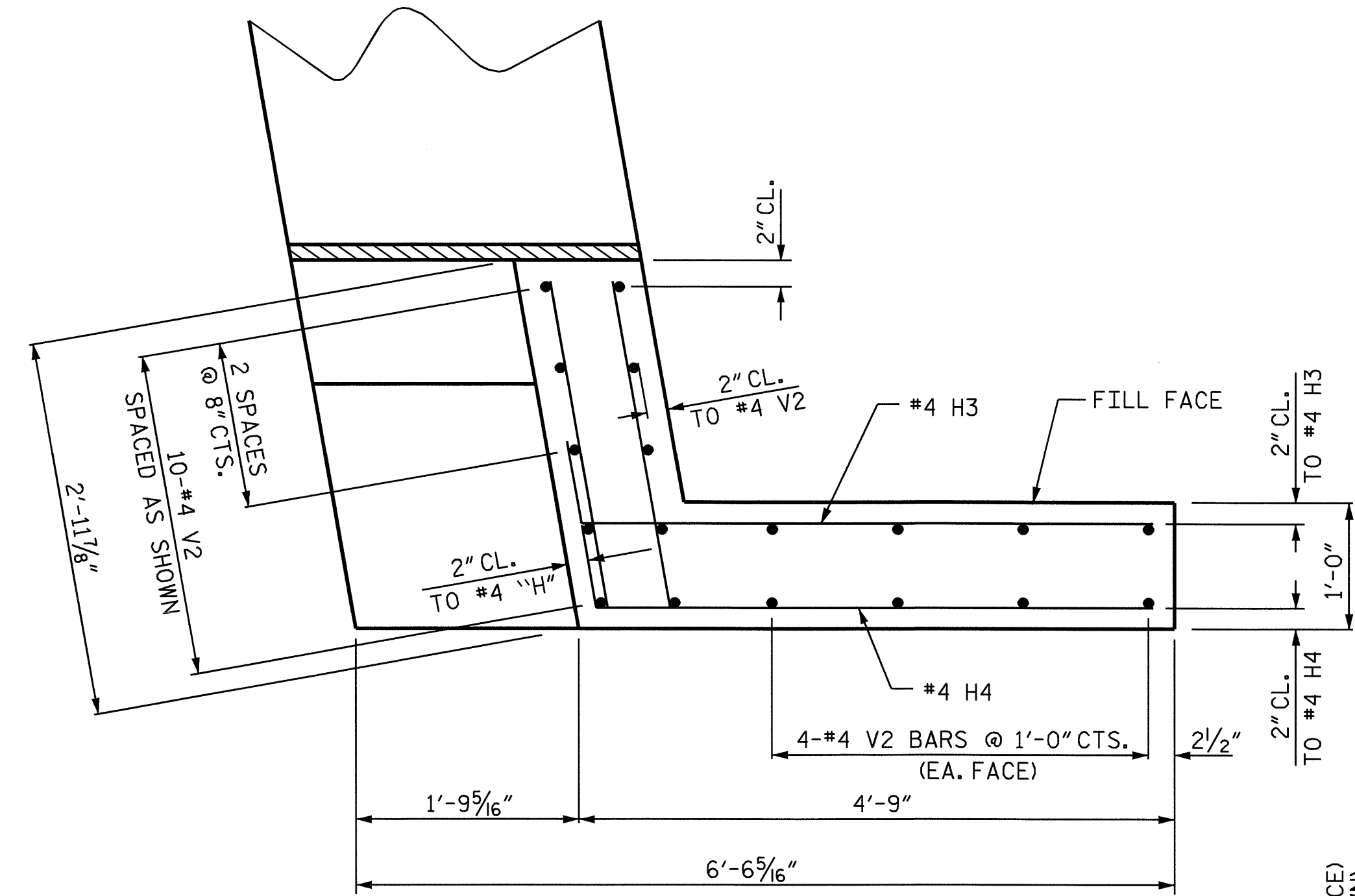
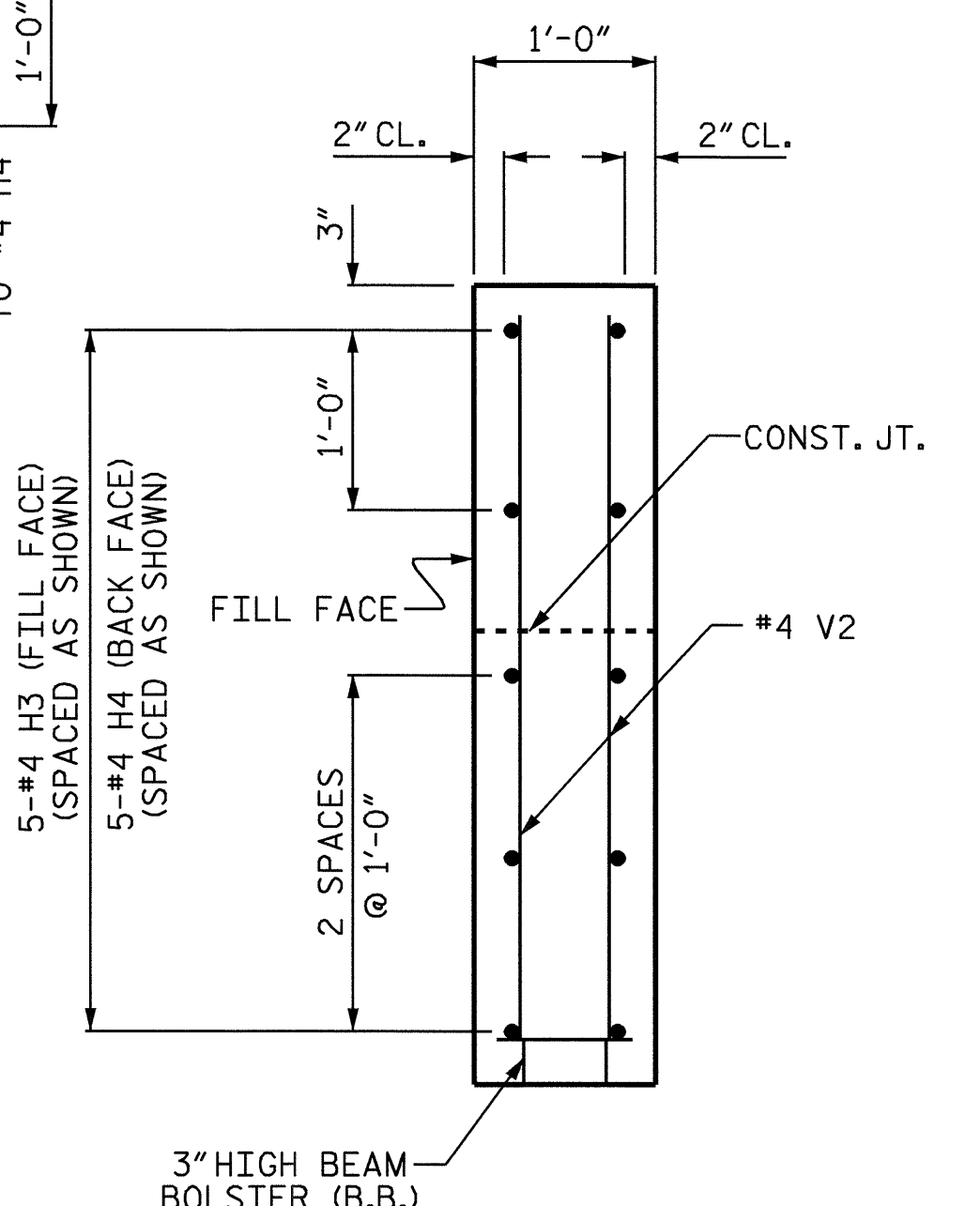


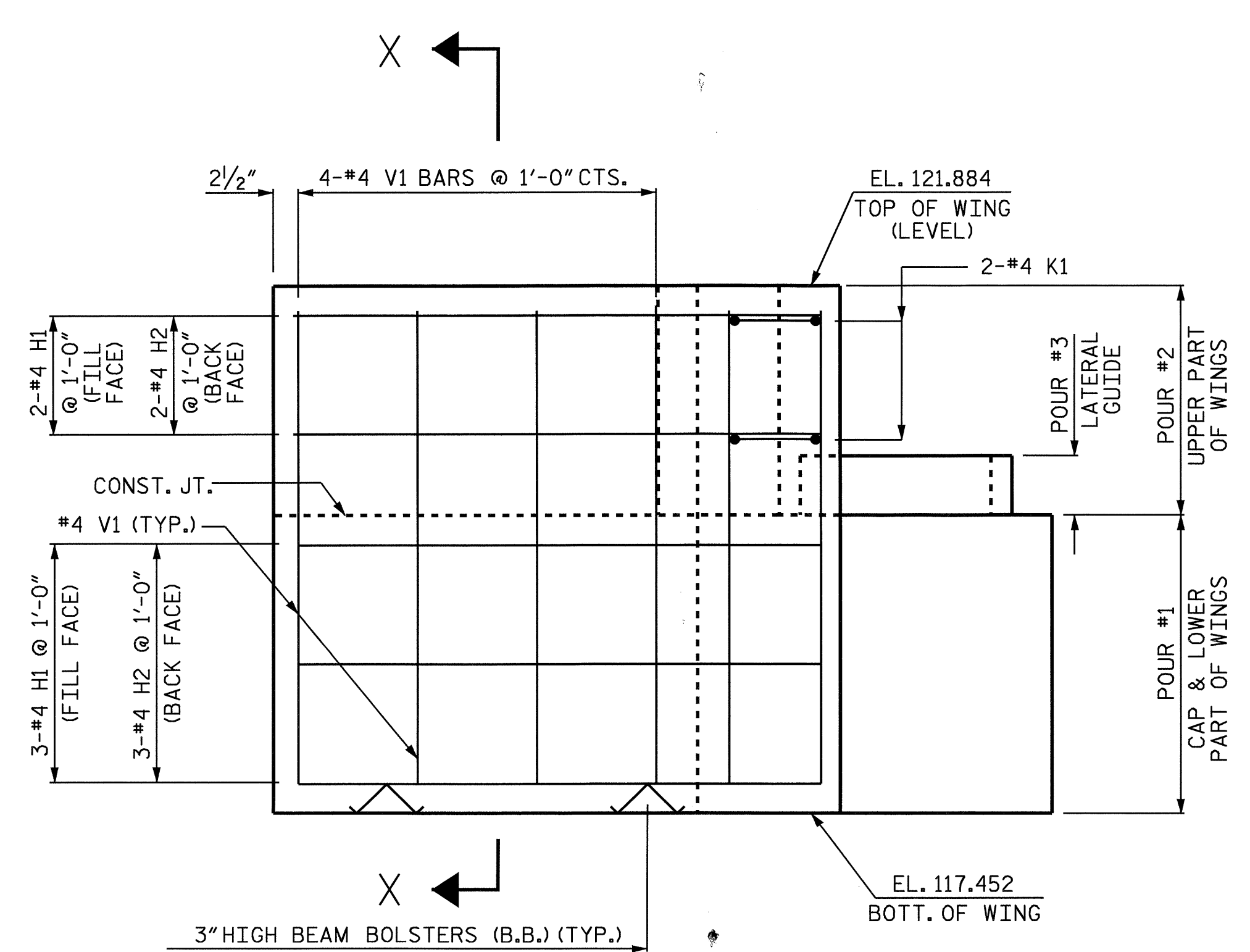
PLAN OF WING - W1



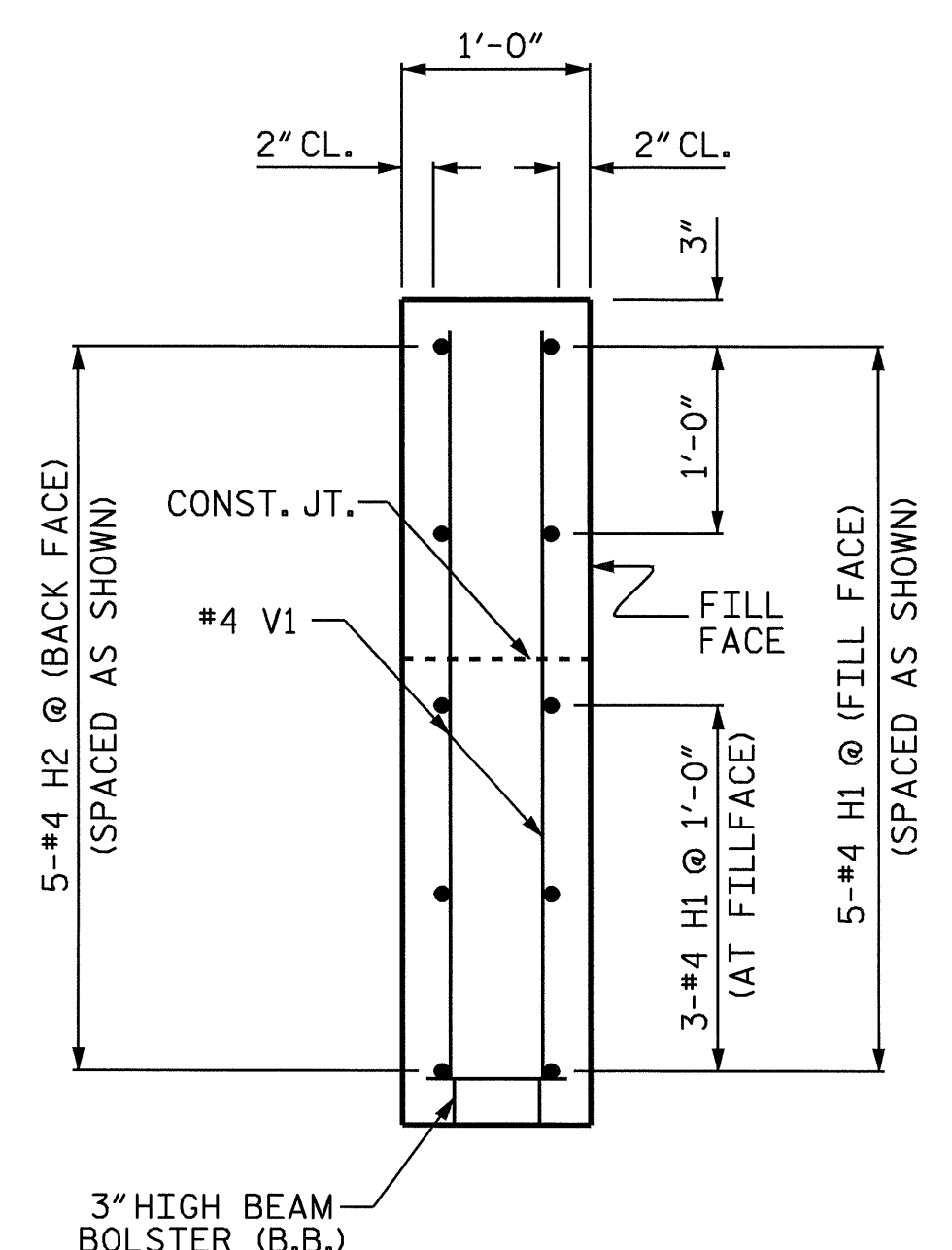
PLAN OF WING - W2



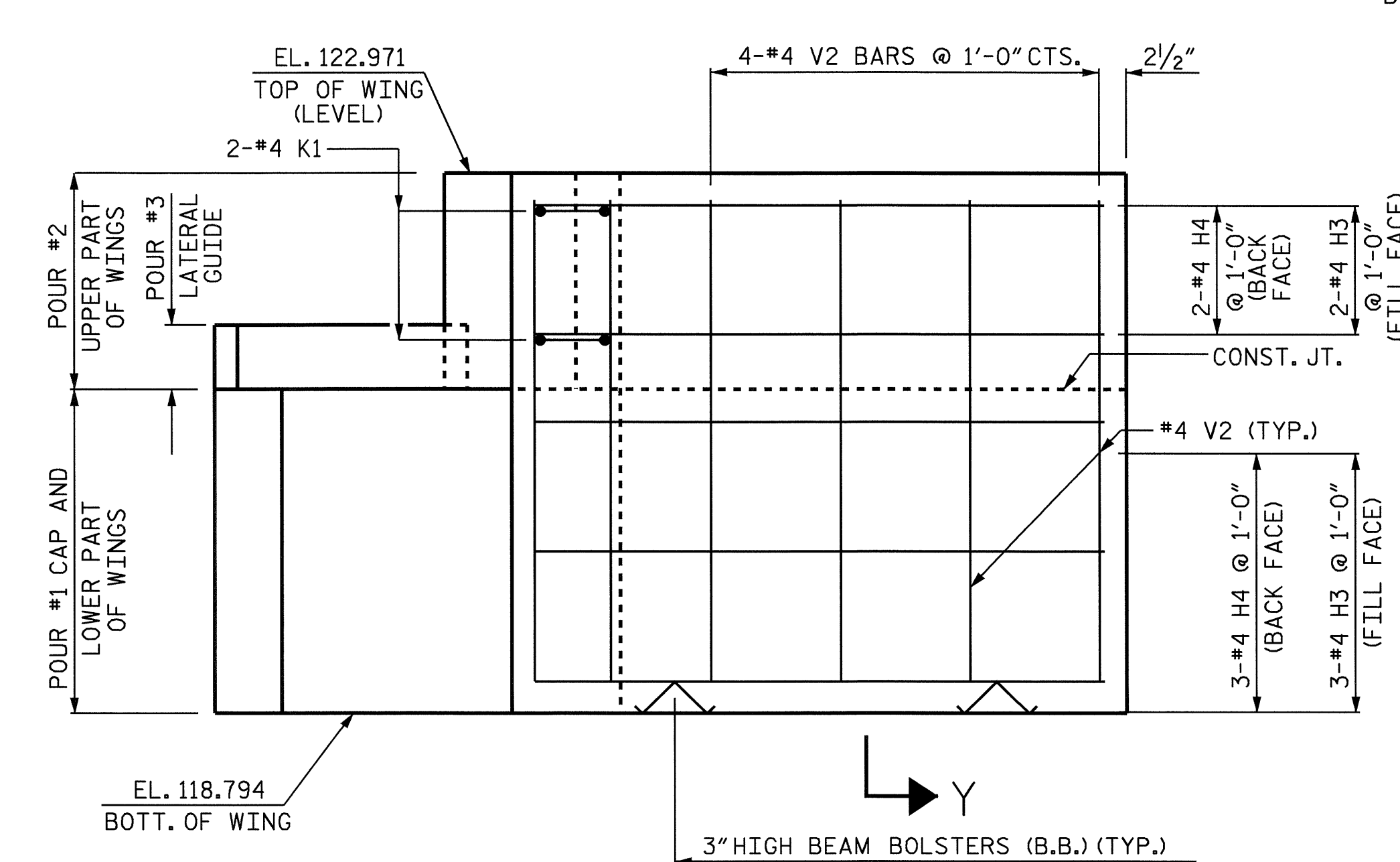
SECTION Y-Y



ELEVATION OF WING - W1



SECTION X-X



ELEVATION OF WING - W2

PROJECT NO. B-3879  
 NASH COUNTY  
 STATION: 22+61.00 -L-

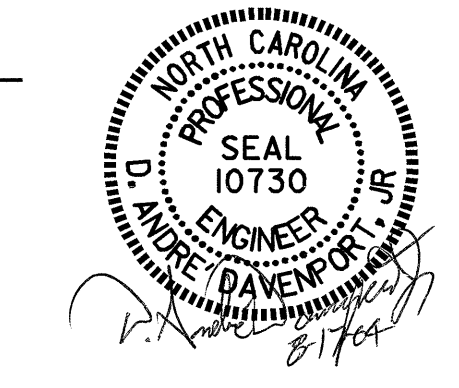
SHEET 2 OF 3

STATE OF NORTH CAROLINA  
 DEPARTMENT OF TRANSPORTATION  
 RALEIGH

SUBSTRUCTURE  
 END BENT #2  
 WING DETAILS

REVISIONS					
NO.	BY:	DATE:	NO.	BY:	DATE:
1			3		
2			4		

SHEET NO. S-20  
 TOTAL SHEETS 20



DRAWN BY: J.B. WILSON DATE: 5/04  
 CHECKED BY: D.A. DAVENPORT DATE: 5/04

17-AUG-2004 07:30  
 w:\squad\B3879\jwilson\Microstation\B-3879.sd.E\*.02.dgn  
 ddavenport