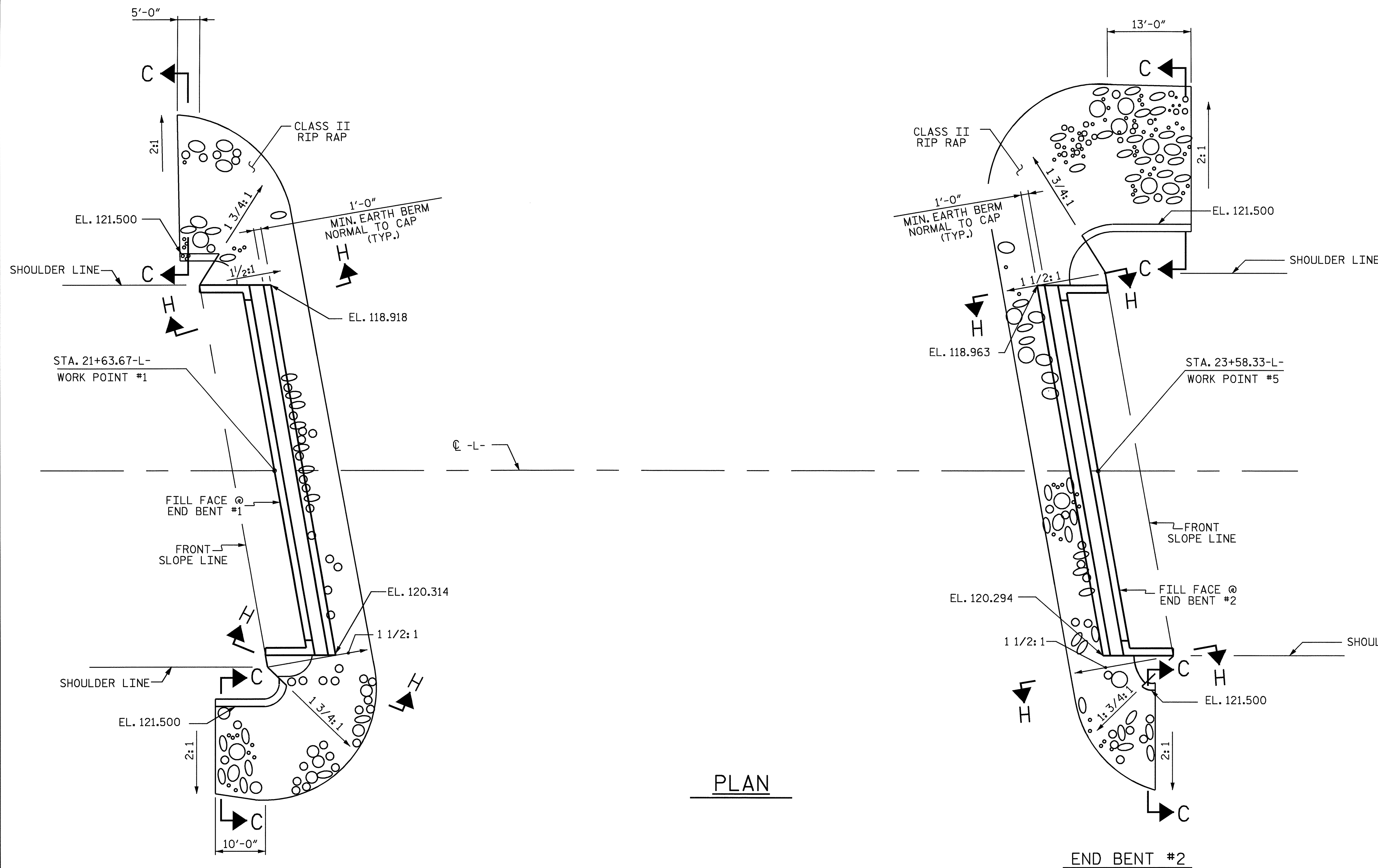
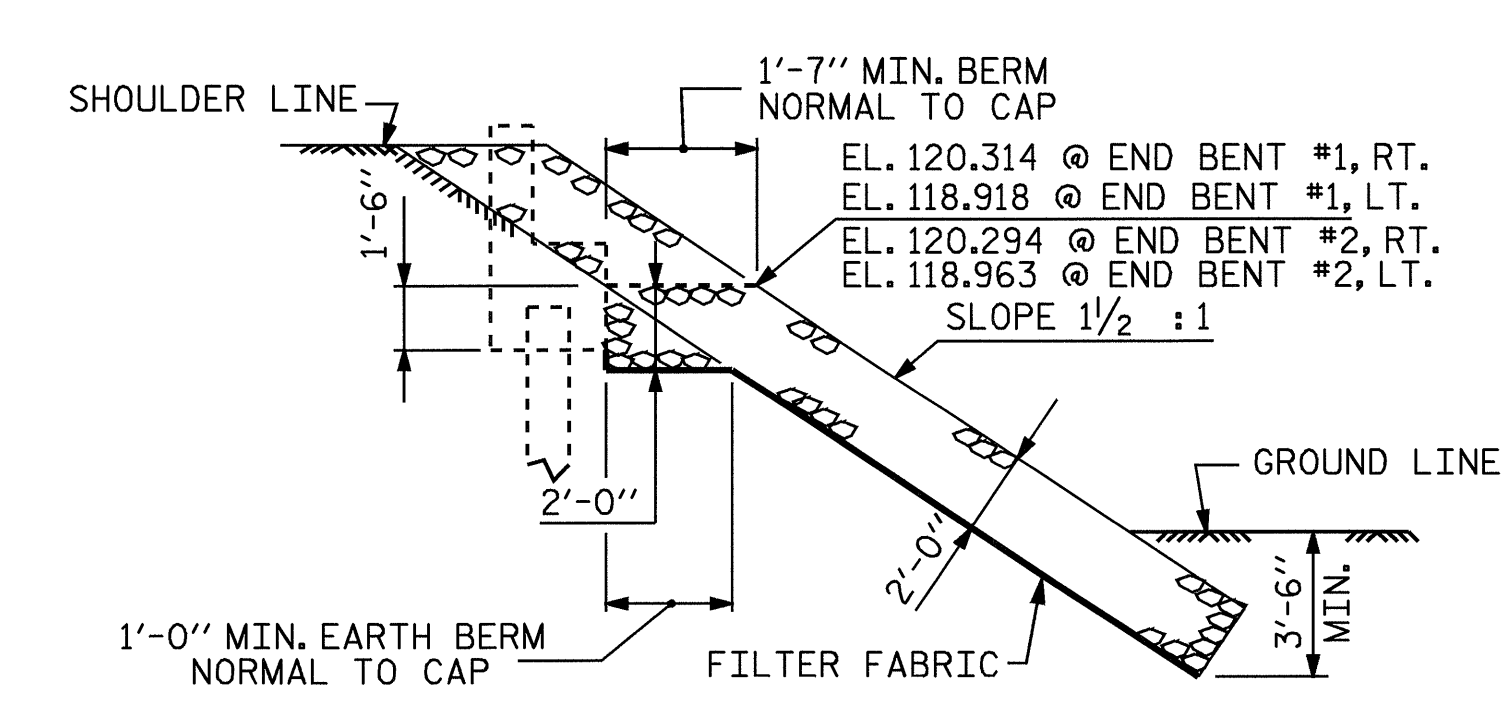


NOTES :
FOR BERM WIDTH DIMENSIONS,SEE GENERAL DRAWING.

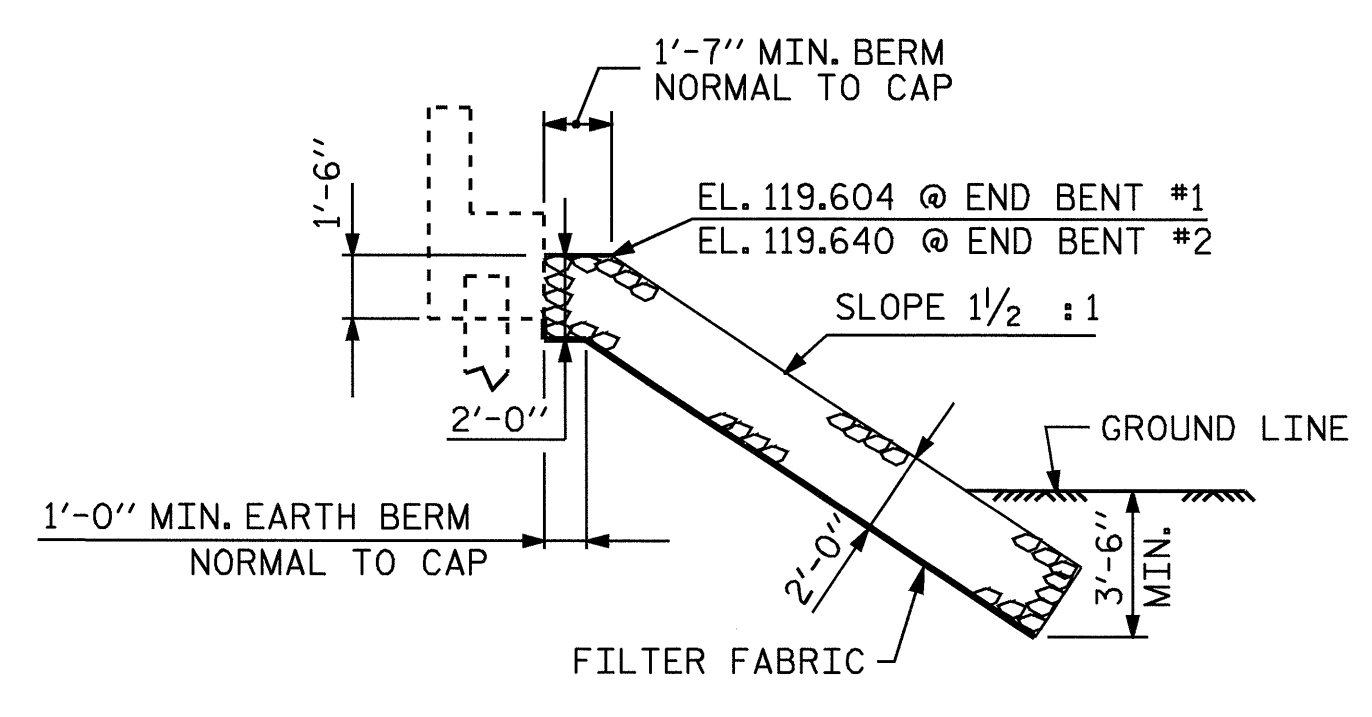


ESTIMATED QUANTITIES		
BRIDGE @ STA. 22+61.00-L-	PLAIN RIP RAP CLASS II (2'-0")	FILTER FABRIC FOR DRAINAGE
	TONS	SQUARE YARDS
END BENT 1	63	70
END BENT 2	71	80
TOTAL	134	150

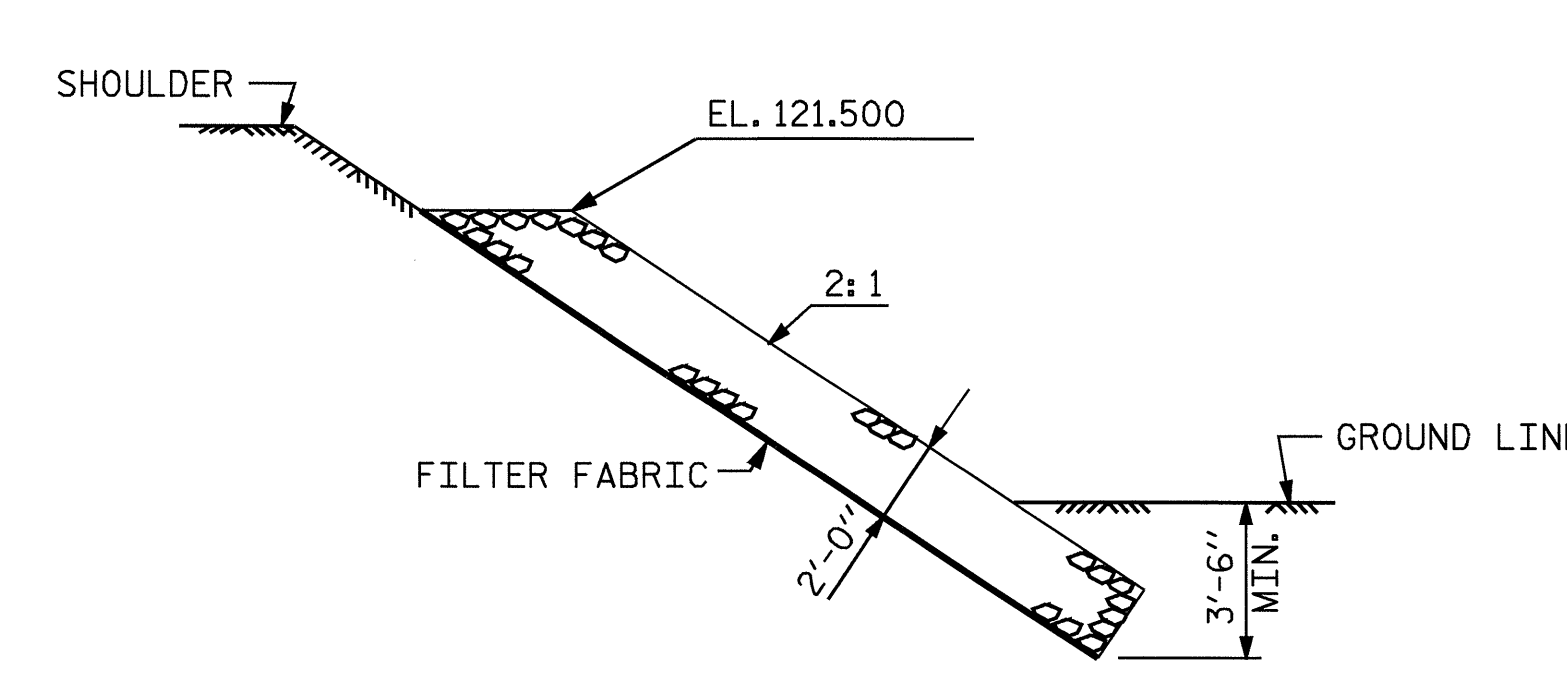
PLAN



SECTION H-H



SECTION C-C
BERM RIP RAPPED

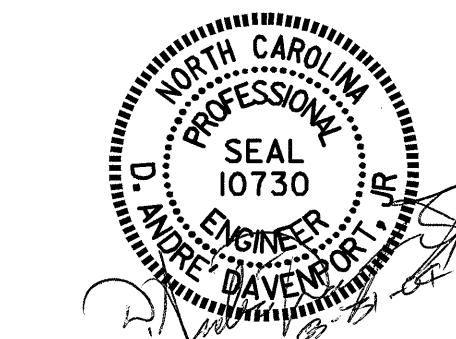


SECTION C-C

PROJECT NO. B-3879
NASH COUNTY
STATION: 22+61.00-L-

STATE OF NORTH CAROLINA
DEPARTMENT OF TRANSPORTATION
RALEIGH

—RIP RAP DETAILS—



ASSEMBLED BY : H.T. BARBOUR DATE : 3-18-04
CHECKED BY : D. A. DAVENPORT DATE : 3-04
DRAWN BY : REK 1/84 REV. 7/17/98 REK/RWW
CHECKED BY : RDU 1/84 REV. 8/16/99 RWW/LES
REV. 10/17/00 RWW/LES

REVISIONS						SHEET NO. S-22
NO.	BY:	DATE:	NO.	BY:	DATE:	
1			3			TOTAL SHEETS 26
2			4			