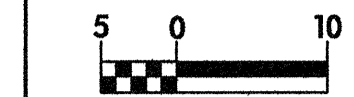


REVISIONS



PROJECT REFERENCE NO. R-2206B	SHEET NO. 2-A
R/W SHEET NO.	
ROADWAY DESIGN ENGINEER WILBUR SMITH ASSOCIATES P.O. BOX 2478 RALEIGH, N. C. 27602-2478	PAVEMENT DESIGN ENGINEER WILBUR SMITH ASSOCIATES P.O. BOX 2478 RALEIGH, N. C. 27602-2478

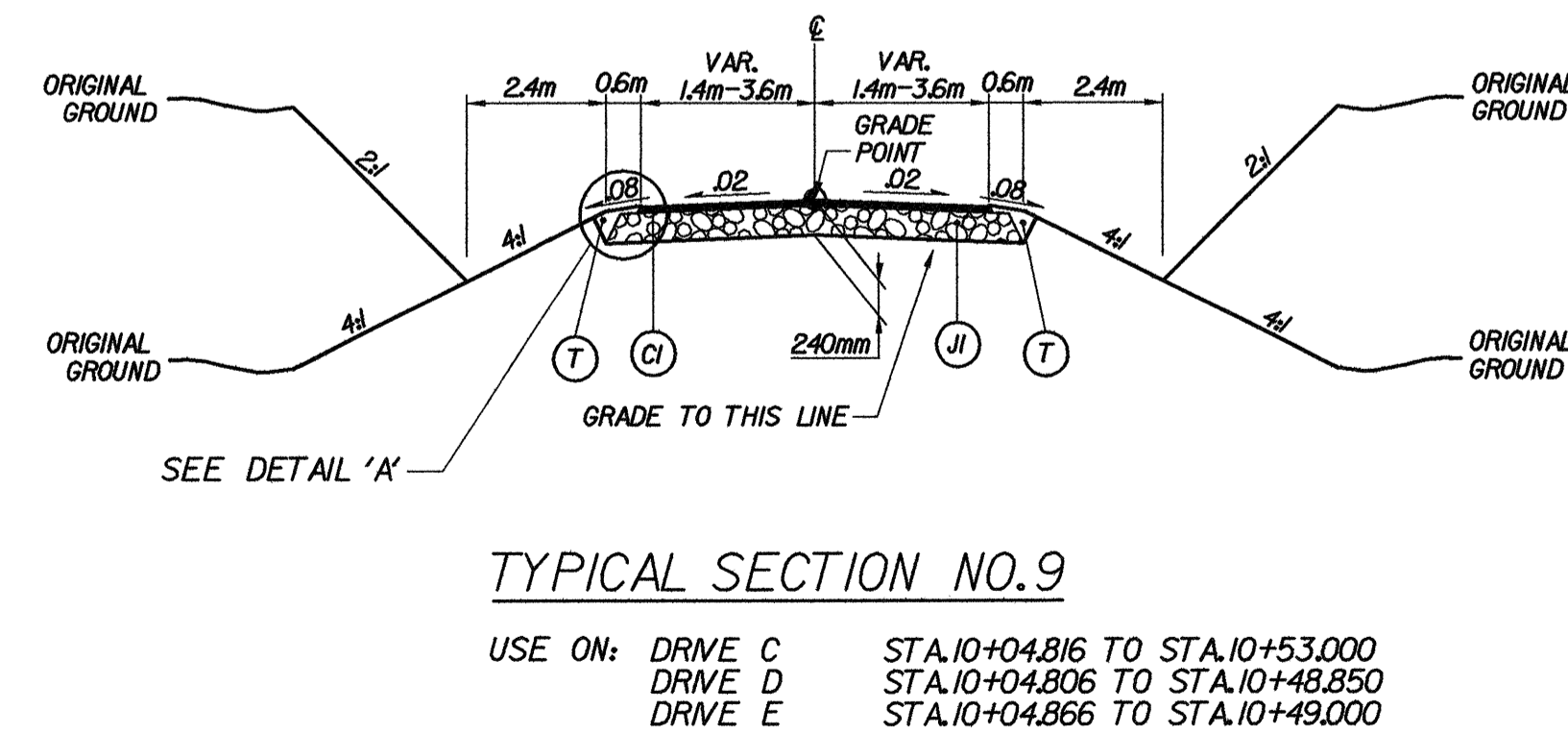
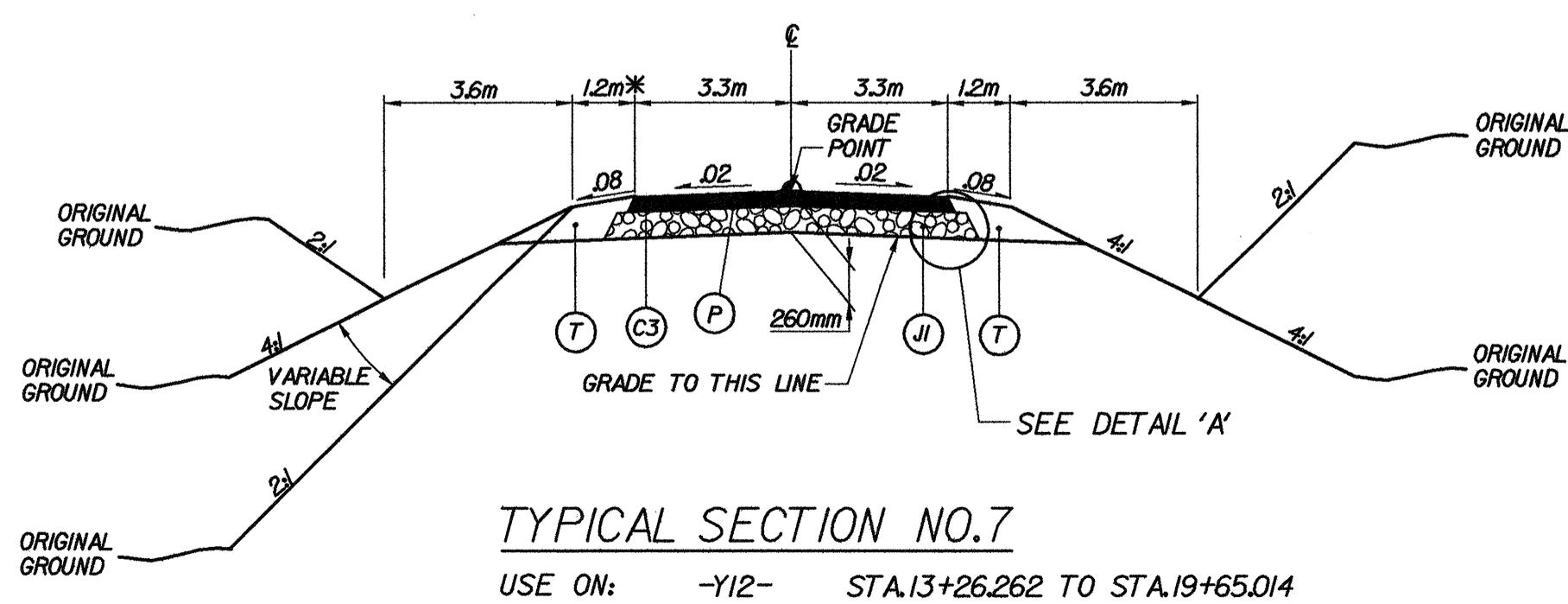
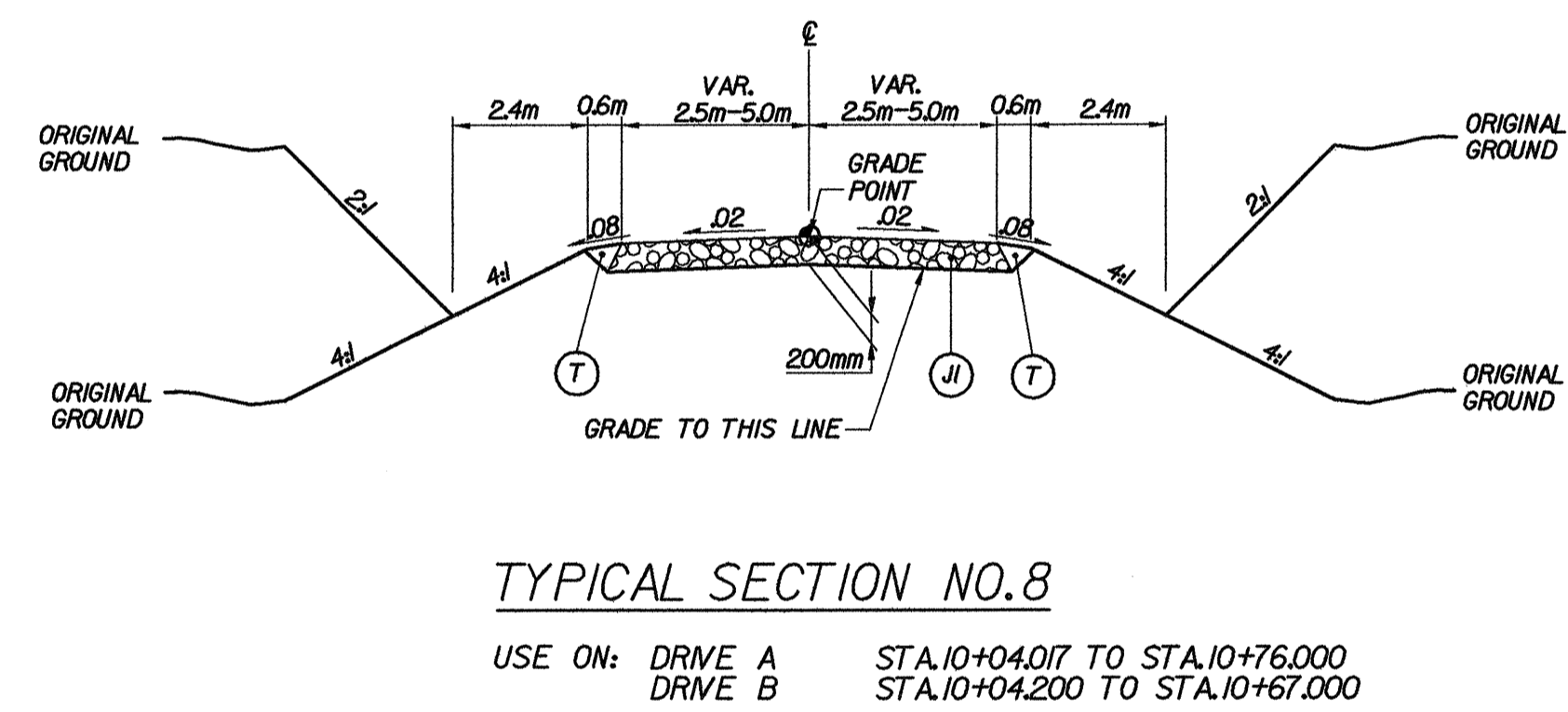
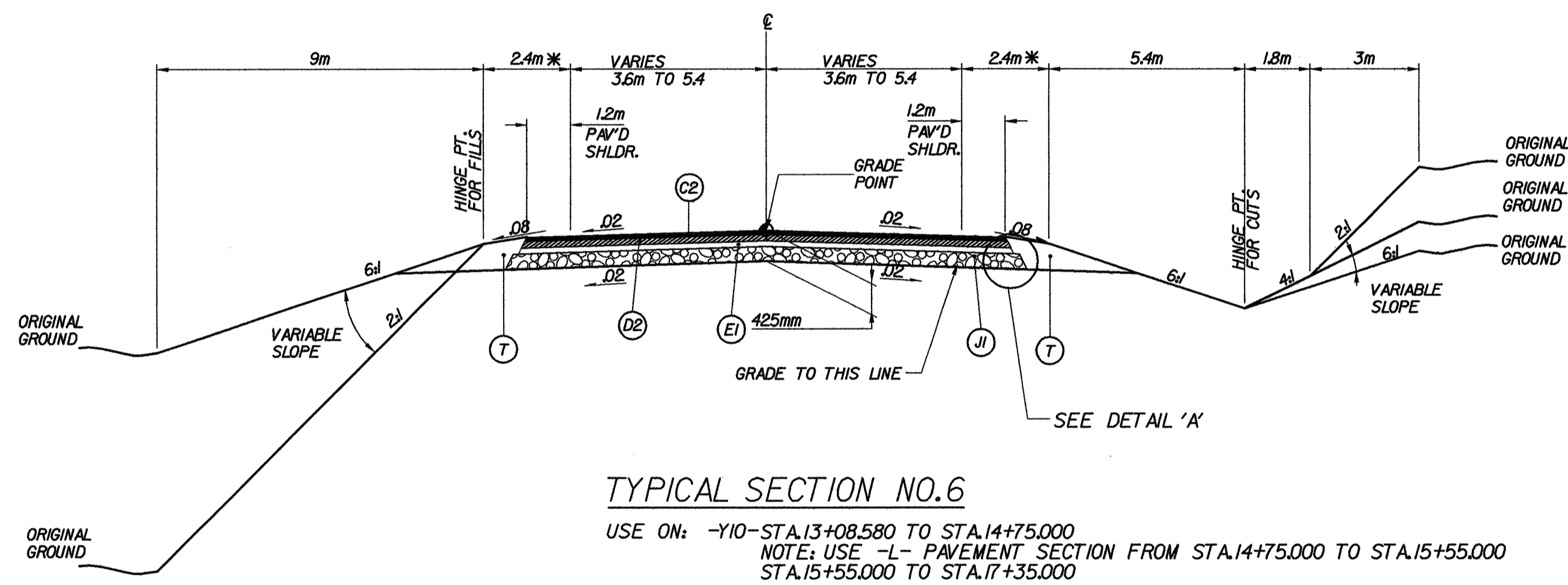
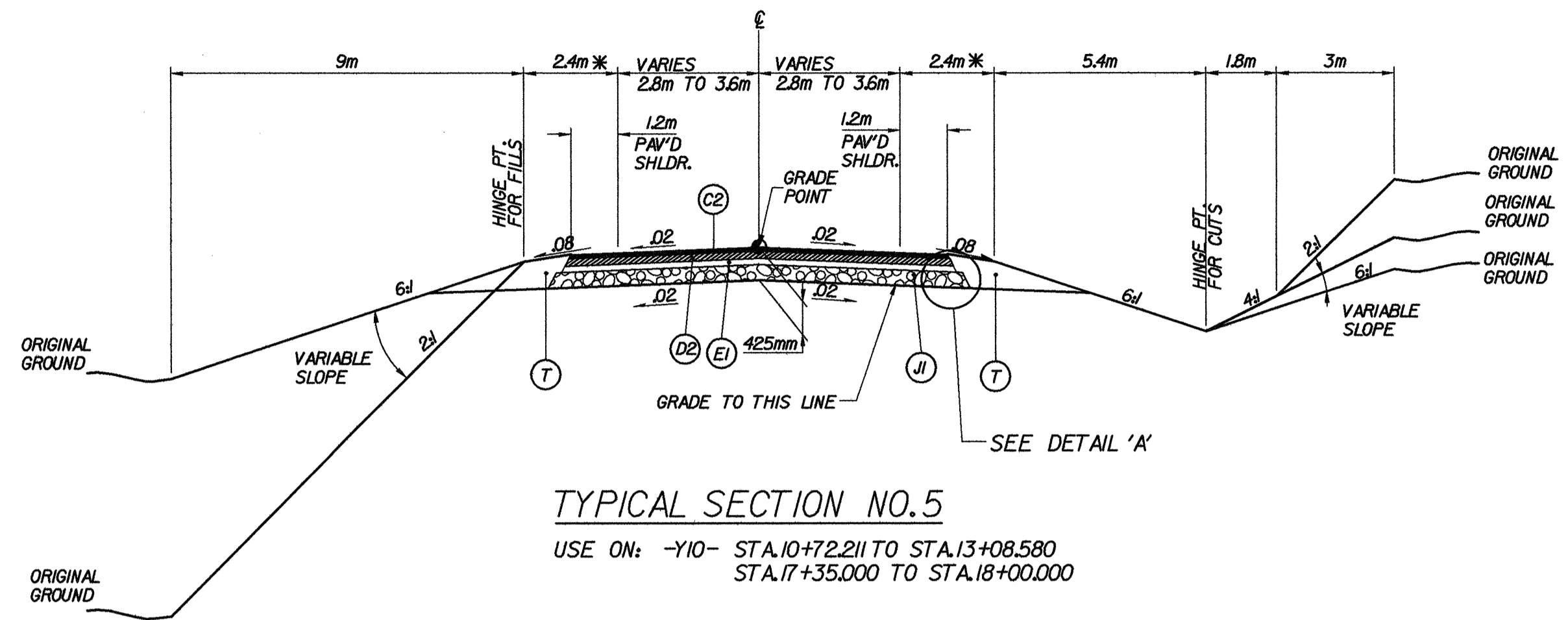


CONST. REV.

R/W REV.

NOTES:

- \* SHOULDER WIDTH TO BE INCREASED 1.0m WHERE GUARDRAIL IS USED.
- \*\* PLACE FIRST LAYER OF SURFACE COURSE DURING INITIAL CONSTRUCTION AND PLACE FINAL LAYER OF SURFACE COURSE WHEN THE L-LINE PAVEMENT IS PLACED.
- \*\*\* ALL PAVEMENT STRUCTURE EDGE SLOPES ARE 1:1 UNLESS OTHERWISE SHOWN.



PAVEMENT SCHEDULE	
CODE	DESCRIPTION
C1	PROP. APPROX. 40mm ASPHALT CONC. SURFACE COURSE, TYPE S9.5B, AT AN AVERAGE RATE OF 96 KG PER SQ. METER.
C2**	PROP. APPROX. 60mm ASPHALT CONC. SURFACE COURSE, TYPE S9.5B, TO BE PLACED AT AN AVERAGE RATE OF 72 KG PER SQ. METER IN EACH OF TWO LAYERS.
C3	PROP. APPROX. 60mm ASPHALT CONC. SURFACE COURSE, TYPE S9.5B, TO BE PLACED AT AN AVERAGE RATE OF 72 KG PER SQ. METER IN EACH OF TWO LAYERS.
C4**	PROP. APPROX. 70mm ASPHALT CONC. SURFACE COURSE, TYPE S12.5C, TO BE PLACED AT AN AVERAGE RATE OF 84KG PER SQ. METER IN EACH OF TWO LAYERS.
D1	PROP. APPROX. 80mm ASPHALT CONC. INTERMEDIATE COURSE, TYPE I19.0C, AT AN AVERAGE RATE OF 196 KG PER SQ. METER.
D2	PROP. APPROX. 90mm ASPHALT CONC. INTERMEDIATE COURSE, TYPE I19.0B, AT AN AVERAGE RATE OF 220 KG PER SQ. METER.
E1	PROP. APPROX. 75mm ASPHALT CONC. BASE COURSE, TYPE B25.0B, AT AN AVERAGE RATE OF 184 KG PER SQ. METER.
E2	PROP. APPROX. 90mm ASPHALT CONC. BASE COURSE, TYPE B25.0C, AT AN AVERAGE RATE OF 221 KG PER SQ. METER.
J1	PROP. 200mm AGGREGATE BASE COURSE.
J2	PROP. 250mm AGGREGATE BASE COURSE.
P	PRIME COAT
T	EARTH MATERIAL

