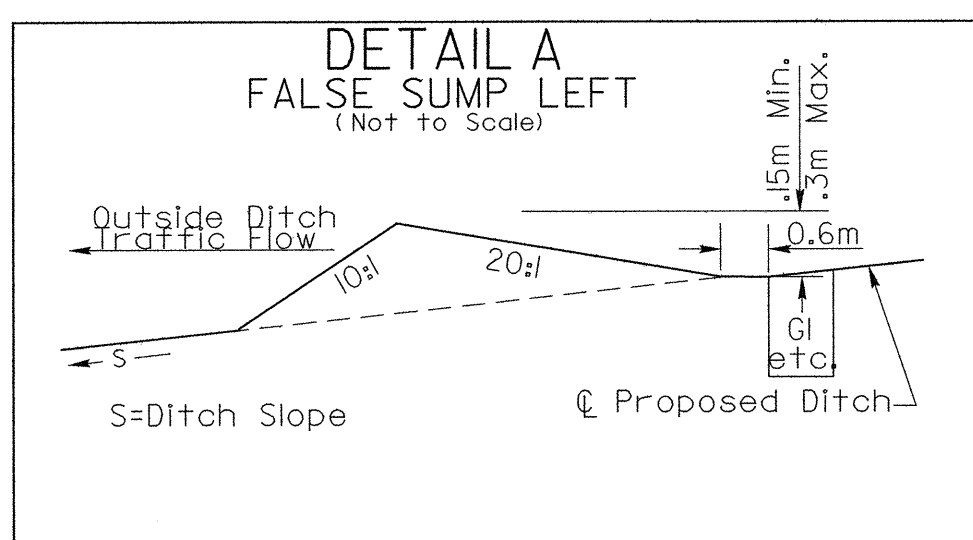
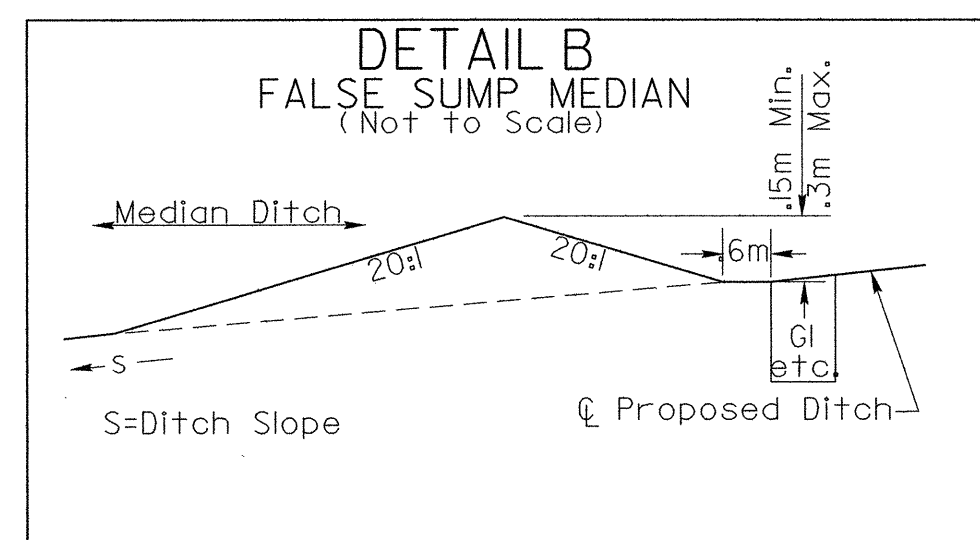




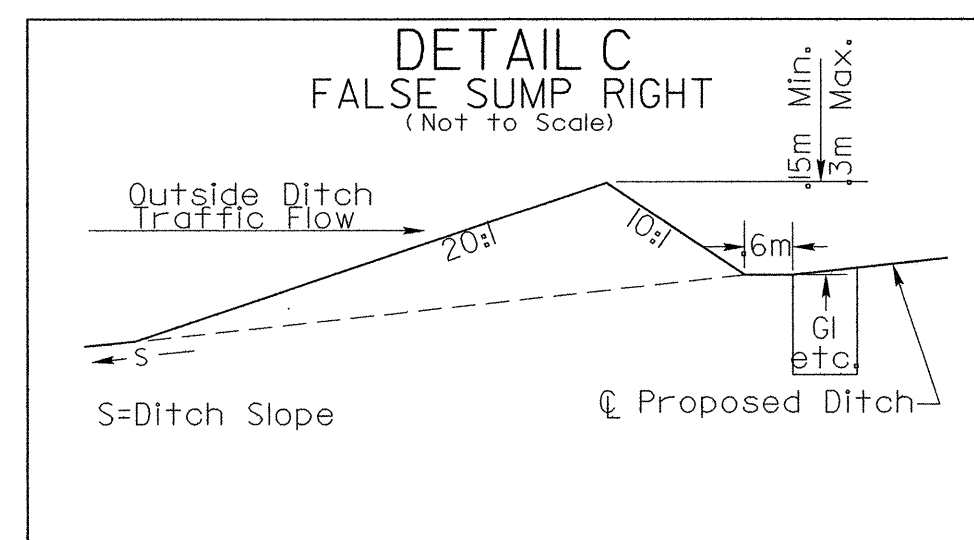
PROJECT REFERENCE NO.		SHEET NO.
R-2206B		2-B
R/W SHEET NO.		
ROADWAY DESIGN ENGINEER	HYDRAULICS ENGINEER	
SEAL 022609	SEAL 14180	
CONST. REV.		
R/W REV.		
WILBUR SMITH ASSOCIATES 1300 PARRISH DRIVE, SUITE 110 RALEIGH, N. C. 27602-2478		TRANSITTE CONSULTING 1300 PARRISH DRIVE, SUITE 110 RALEIGH, N. C. 27609



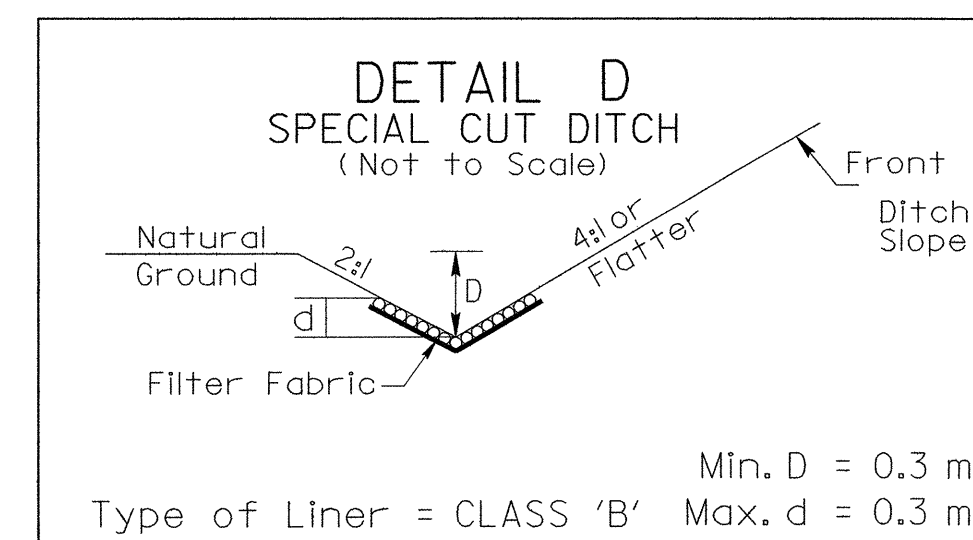
USE ON:
 -L- 110+20 LT. -L- 157+60 LT.
 -L- 112+20 LT. -L- 158+22.500 LT.
 -L- 115+80 LT. -L- 160+20 LT.
 -L- 121+00 LT. -L- 161+60 LT.
 -L- 126+65 LT. -L- 163+60 LT.
 -L- 140+40 LT. -L- 165+60 LT.
 -L- 142+60 LT. -Y9- 14+40 LT.
 -L- 143+50 LT. -Y9- 17+00 LT.
 -L- 146+70 LT. -Y12- 14+60 LT.
 -L- 149+74 LT. -Y12- 16+46 LT.
 -L- 154+60 LT.



USE ON:
 -L- 102+80 MED. -L- 133+60 MED. -L- 157+60 MED.
 -L- 104+49 MED. -L- 138+67 MED. -L- 159+55 MED.
 -L- 107+00 MED. -L- 140+40 MED. -L- 161+66 MED.
 -L- 109+40 MED. -L- 145+20 MED. -L- 163+60 MED.
 -L- 113+60 MED. -L- 146+55 MED. -L- 165+60 MED.
 -L- 121+00 MED. -L- 149+74 MED. -L- 167+60 MED.
 -L- 122+69 MED. -L- 152+30 MED. -L- 169+00 MED.
 -L- 131+90 MED. -L- 154+60 MED. -L- 172+10 MED.
 -L- 155+20 MED. -L- 179+80 MED.

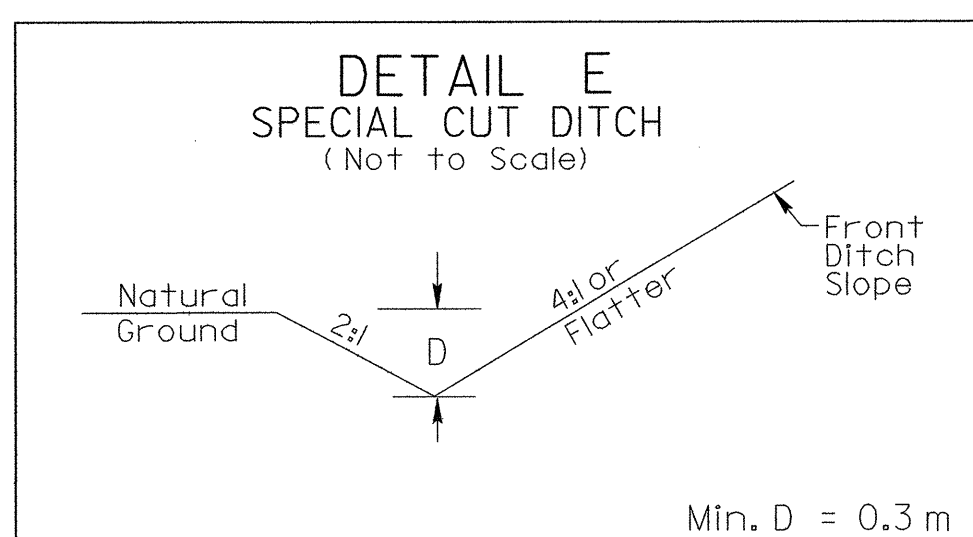


USE ON:
 -L- 107+00 RT. -L- 142+90 RT.
 -L- 109+40 RT. -L- 146+40 RT.
 -L- 112+20 RT. -L- 150+00 RT.
 -L- 116+20 RT. -L- 157+60 RT.
 -L- 121+00 RT. -L- 159+55 RT.
 -L- 126+65 RT. -L- 161+71 RT.
 -L- 133+60 RT. -L- 163+60 RT.
 -L- 135+60 RT. -L- 165+60 RT.
 -L- 138+20 RT. -Y9- 15+96 RT.
 -L- 140+40 RT. -Y12- 14+80 RT.

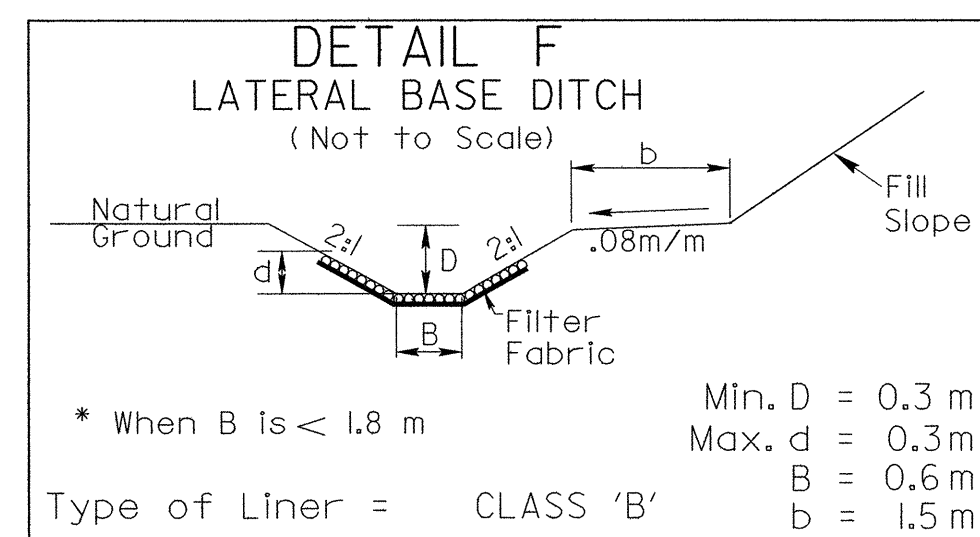


Min. D = 0.3 m
 Max. d = 0.3 m
 Type of Liner = CLASS 'B'

USE ON:
 -Y9- 19+20 TO 19+74 LT.
 -Y12- 14+94 TO 15+24.444 RT.
 -Y12- 16+46.503 TO 17+88.672 RT.

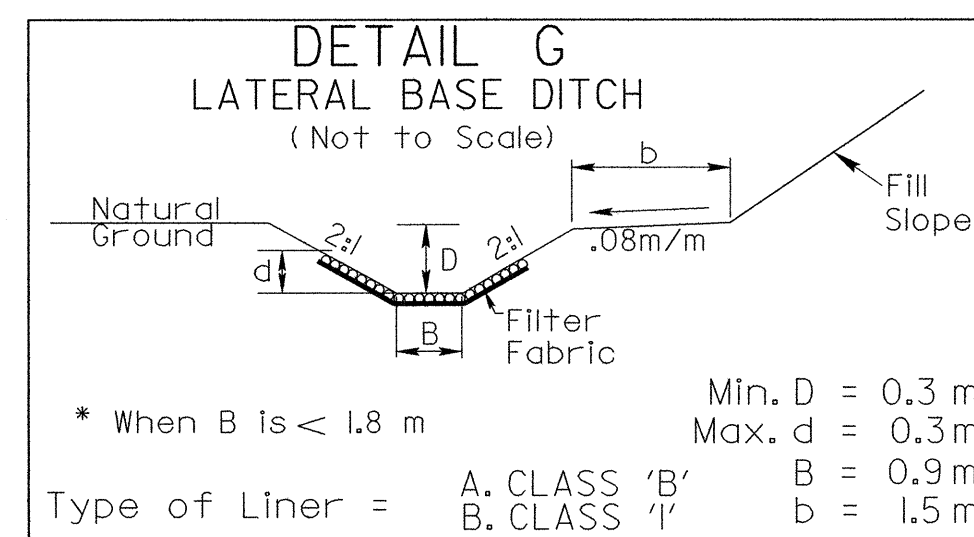


USE ON:
 -L- 111+20 TO 112+20 LT. -L- 139+00 TO 139+20 RT.
 -L- 111+20 TO 112+20 RT. -L- 140+40 TO 141+20 LT.
 -L- 111+40 TO 112+20 LT. -L- 140+40 TO 141+20 RT.
 -L- 111+40 TO 112+20 RT. -L- 180+20 TO 180+40 RT.
 -L- 126+65 TO 127+30.269 LT. -Y9- 11+30 TO 12+20 LT.
 -L- 126+65 TO 127+30.269 RT. -Y10- 16+40 TO 16+80 LT.
 -L- 135+40 TO 135+60 LT. -Y10- 11+50 TO 12+20 LT.
 -L- 138+40 TO 138+69 LT. -Y12- 15+00 TO 15+24.444 LT.
 -L- 138+69 TO 139+40 LT.



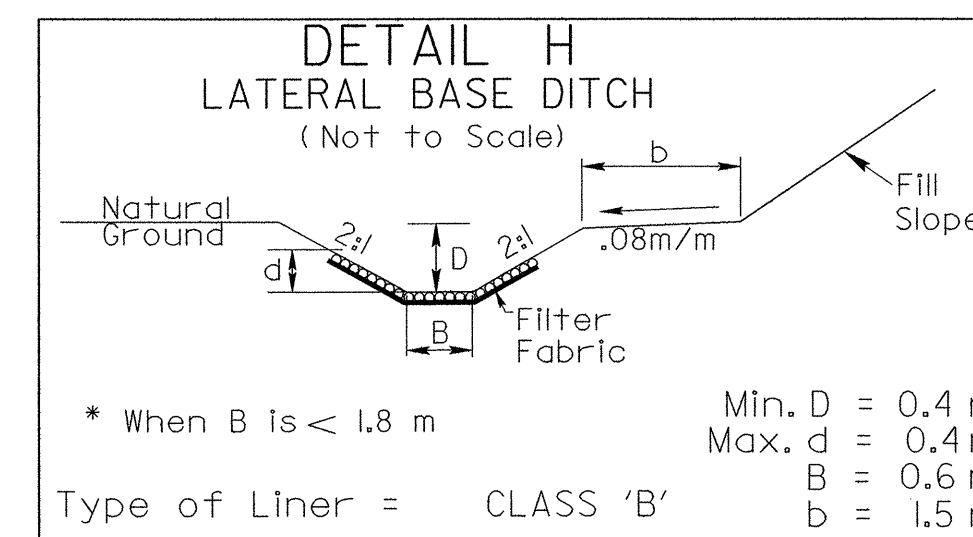
* When B is < 1.8 m
 Min. D = 0.3 m
 Max. d = 0.3 m
 B = 0.6 m
 b = 1.5 m
 Type of Liner = CLASS 'B'

USE ON:
 -L- 114+76 TO 115+70 LT. EST. DDE = 444 CM
 -L- 151+20 TO 152+30 RT. EST. DDE = 894 CM
 -L- 154+76 TO 155+05 LT. EST. DDE = 228 CM
 -L- 171+80 TO 173+30 RT. EST. DDE = 1674 CM
 -L- 172+58 TO 172+95 LT. EST. DDE = 27 CM
 -L- 176+80 TO 177+60 RT. EST. DDE = 550 CM



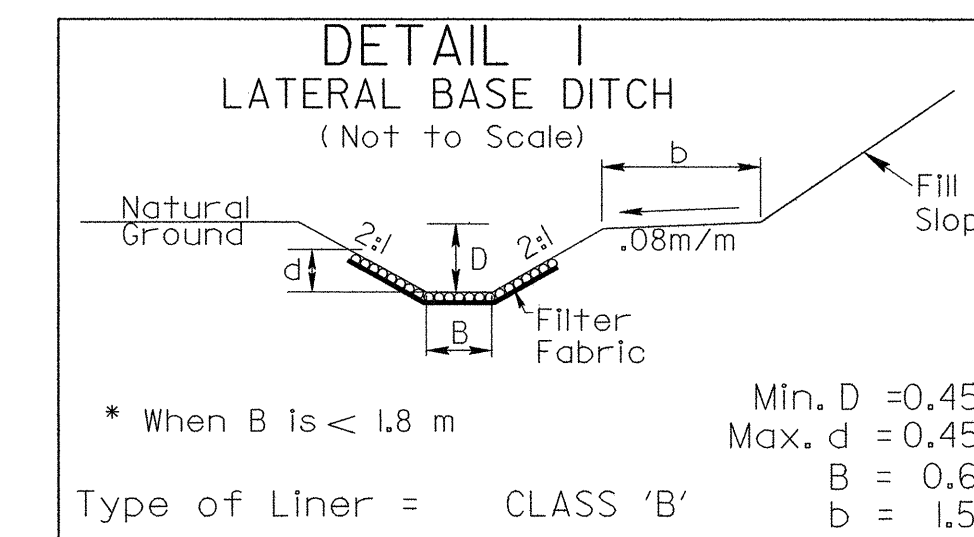
* When B is < 1.8 m
 Min. D = 0.3 m
 Max. d = 0.3 m
 B = 0.9 m
 b = 1.5 m
 Type of Liner = A. CLASS 'B'
 B. CLASS 'I'

USE ON:
 A. -L- 145+64 TO 146+10 RT. EST. DDE = 388 CM
 B. -L- 161+40 TO 161+48 LT. EST. DDE = 10 CM



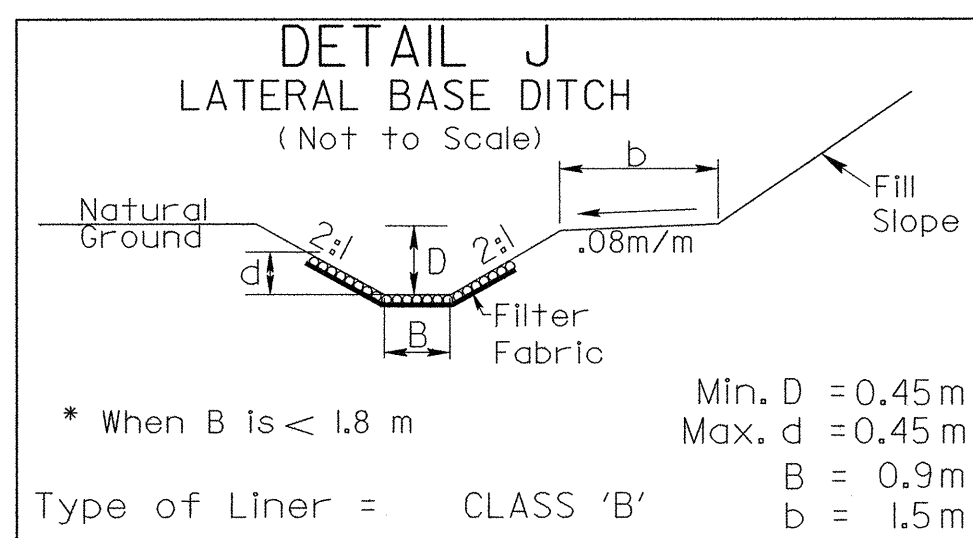
* When B is < 1.8 m
 Min. D = 0.4 m
 Max. d = 0.4 m
 B = 0.6 m
 b = 1.5 m
 Type of Liner = CLASS 'B'

USE ON:
 -L- 126+00 TO 126+52 RT. EST. DDE = 142 CM
 -L- 131+90 TO 132+26 RT. EST. DDE = 142 CM
 -L- 132+30 TO 133+47 RT. EST. DDE = 1240 CM



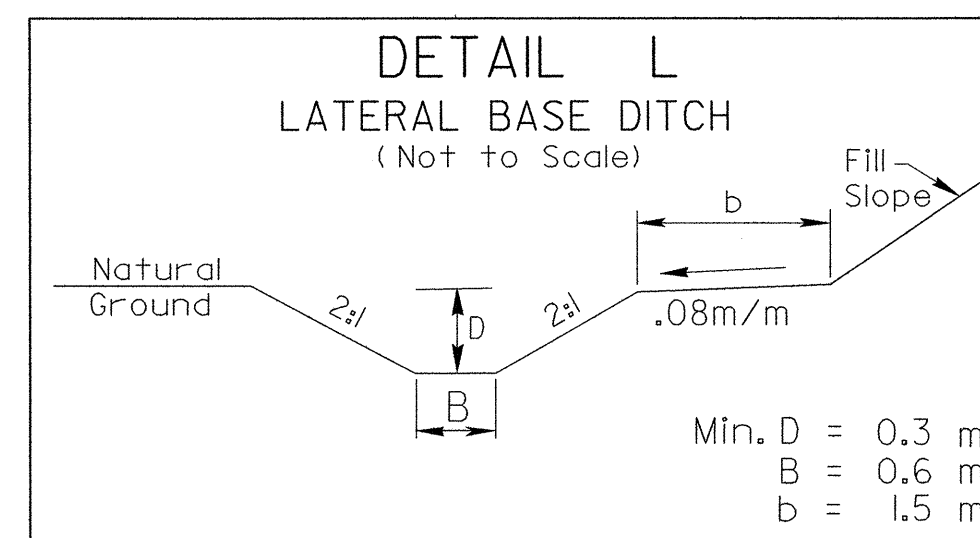
* When B is < 1.8 m
 Min. D = 0.45 m
 Max. d = 0.45 m
 B = 0.6 m
 b = 1.5 m
 Type of Liner = CLASS 'B'

USE ON:
 -L- 169+00 TO 170+02 RT. EST. DDE = 1102 CM
 -L- 169+25 TO 169+40 RT. EST. DDE = 12 CM
 -Y9- 17+67 TO 18+00 LT. EST. DDE = 134 CM



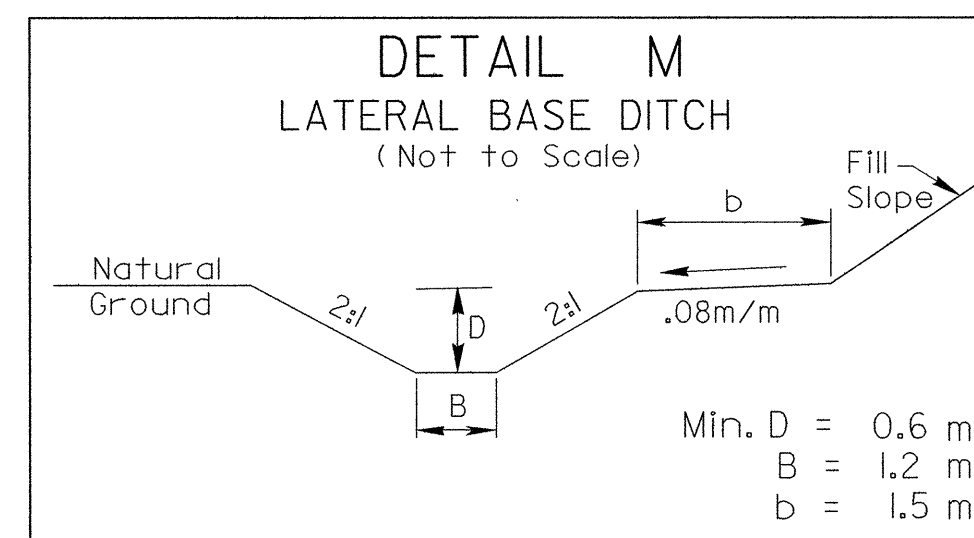
* When B is < 1.8 m
 Min. D = 0.45 m
 Max. d = 0.45 m
 B = 0.9 m
 b = 1.5 m
 Type of Liner = CLASS 'B'

USE ON:
 -Y9- 17+06 TO 17+35 LT. EST. DDE = 74 CM



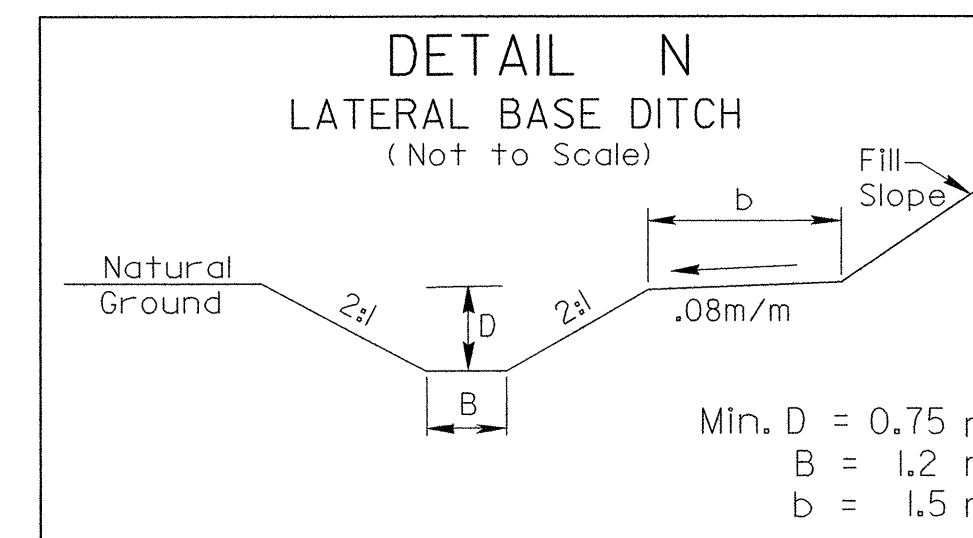
Min. D = 0.3 m
 B = 0.6 m
 b = 1.5 m

USE ON:
 -L- 150+95 TO 151+20 RT. EST. DDE = 29 CM



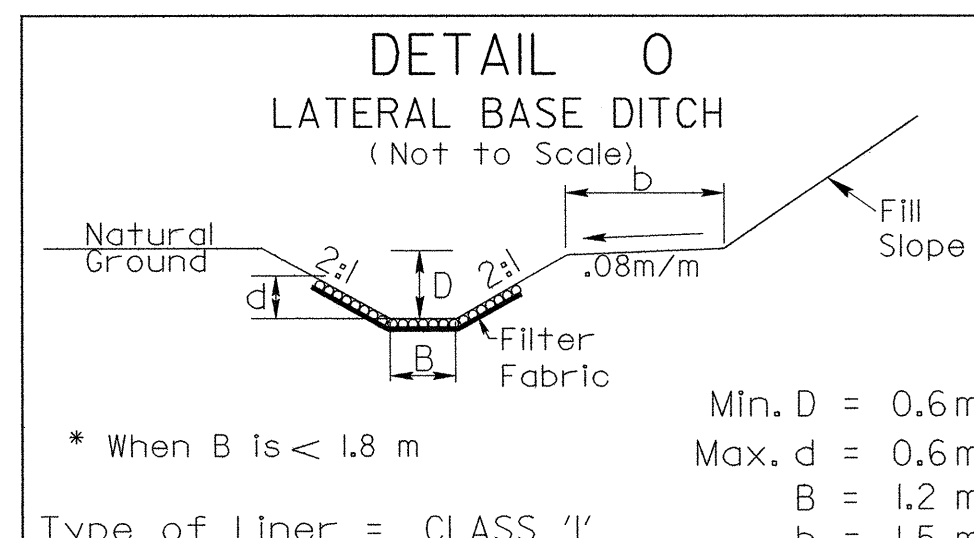
Min. D = 0.6 m
 B = 1.2 m
 b = 1.5 m

USE ON:
 -L- 177+60 TO 178+00 RT. EST. DDE = 2532 CM
 -L- 179+80 TO 180+20 RT. EST. DDE = 218 CM
 (VARY B FROM 0 TO 1.2m)



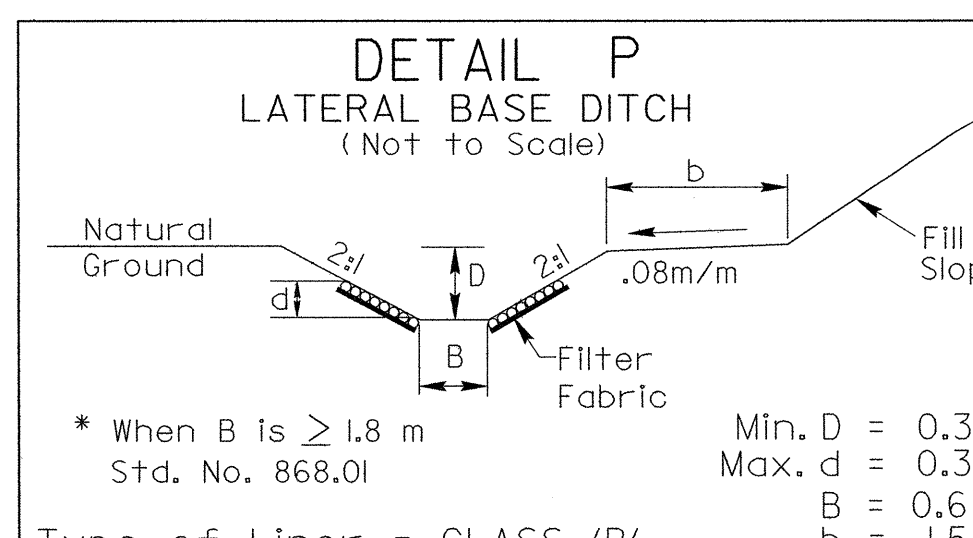
Min. D = 0.75 m
 B = 1.2 m
 b = 1.5 m

USE ON:
 -L- 178+00 TO 178+48 RT. EST. DDE = 6435 CM
 -L- 178+60 TO 180+20 RT. EST. DDE = 1912 CM



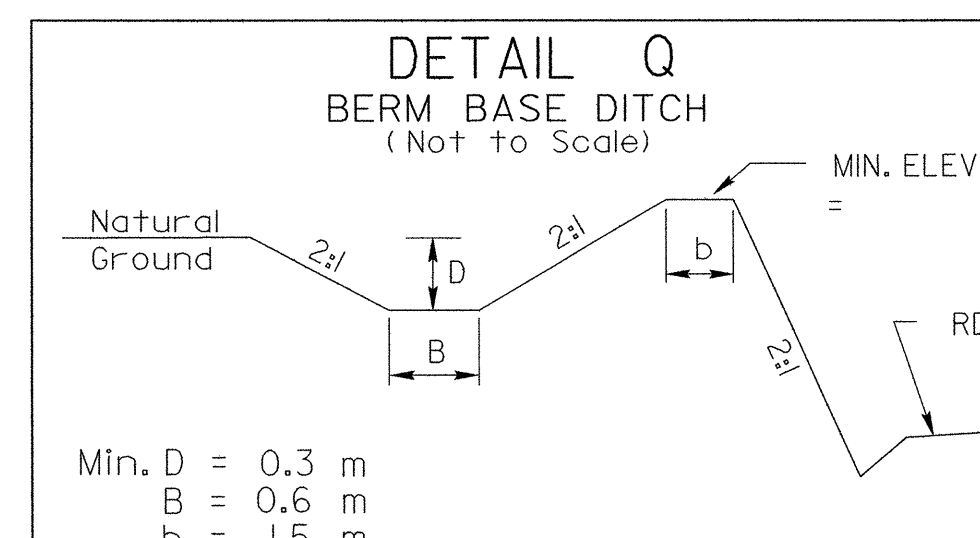
* When B is < 1.8 m
 Min. D = 0.6 m
 Max. d = 0.6 m
 B = 1.2 m
 b = 1.5 m
 Type of Liner = CLASS 'I'

USE ON:
 -L- 179+20 TO 179+80 RT. EST. DDE = 1318 CM



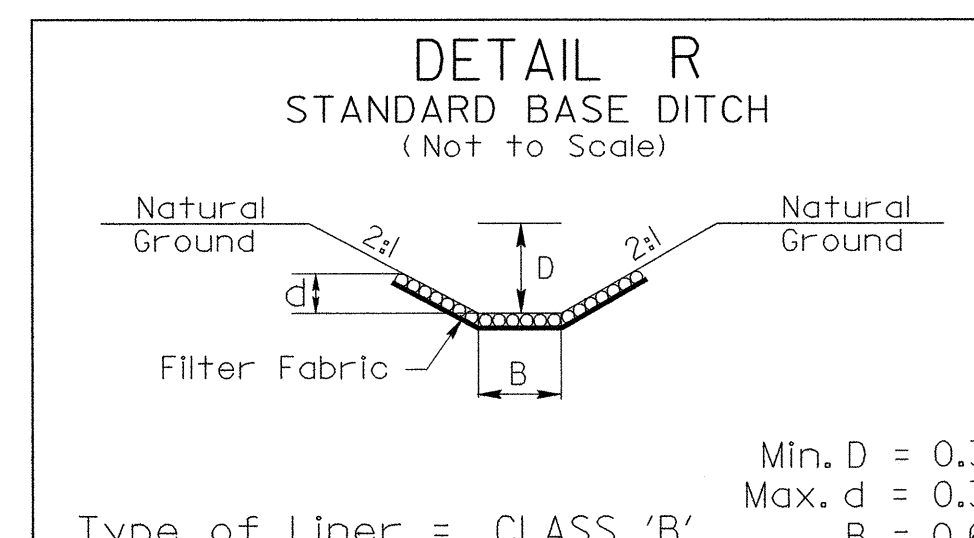
* When B is >= 1.8 m
 Std. No. 868.01
 Min. D = 0.3 m
 Max. d = 0.3 m
 B = 0.6 m
 b = 1.5 m
 Type of Liner = CLASS 'B'

USE ON:
 -L- 139+62 TO 140+30 RT. EST. DDE = 218 CM



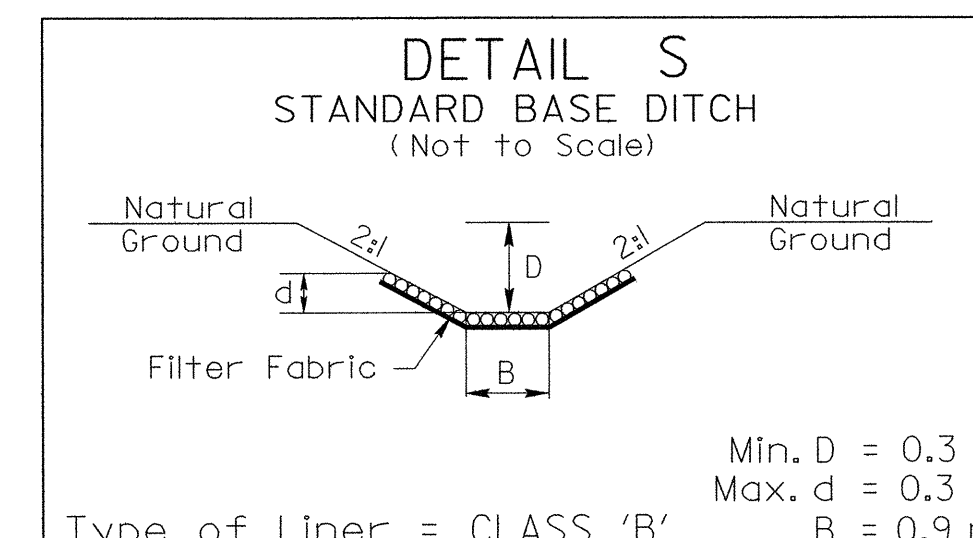
Min. D = 0.3 m
 B = 0.6 m
 b = 1.5 m

USE ON:
 -L- 152+32 TO 152+60 LT. EST. DDE = 99 CM



Min. D = 0.3 m
 Max. d = 0.3 m
 B = 0.6 m
 Type of Liner = CLASS 'B'

USE ON:
 -L- 135+25 RT. EST. DDE = 18 CM



Min. D = 0.3 m
 Max. d = 0.3 m
 B = 0.9 m
 Type of Liner = CLASS 'B'

USE ON:
 -L- 115+40 RT. EST. DDE = 7 CM