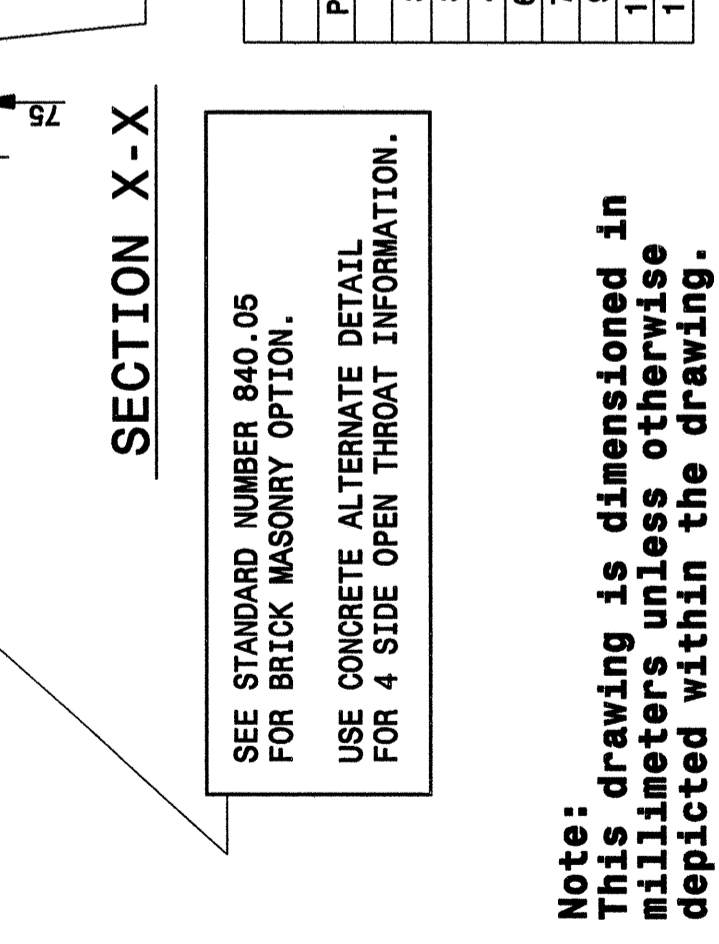
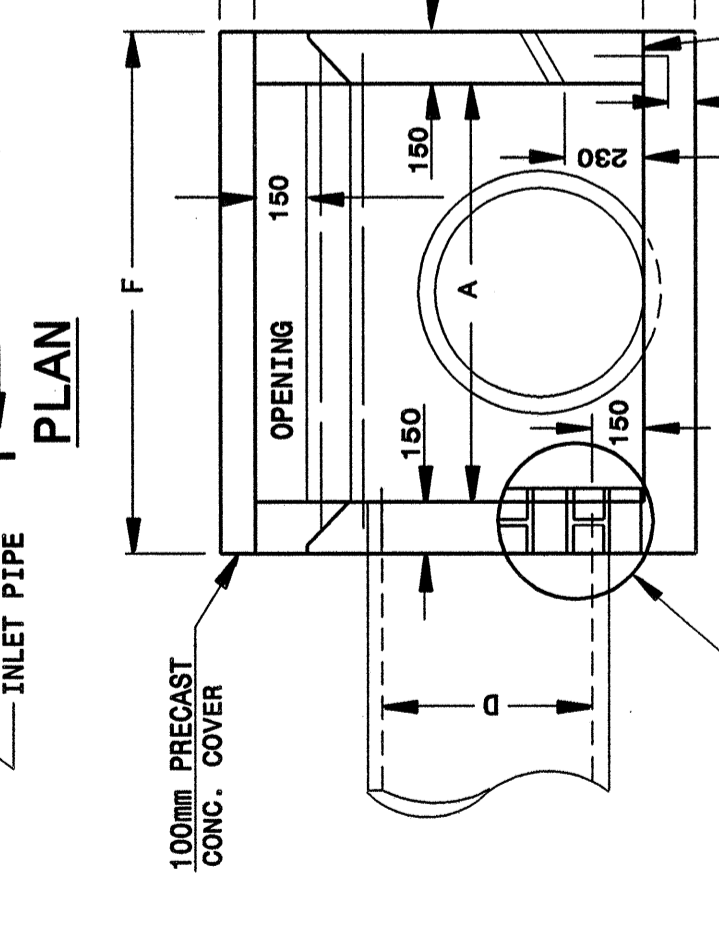
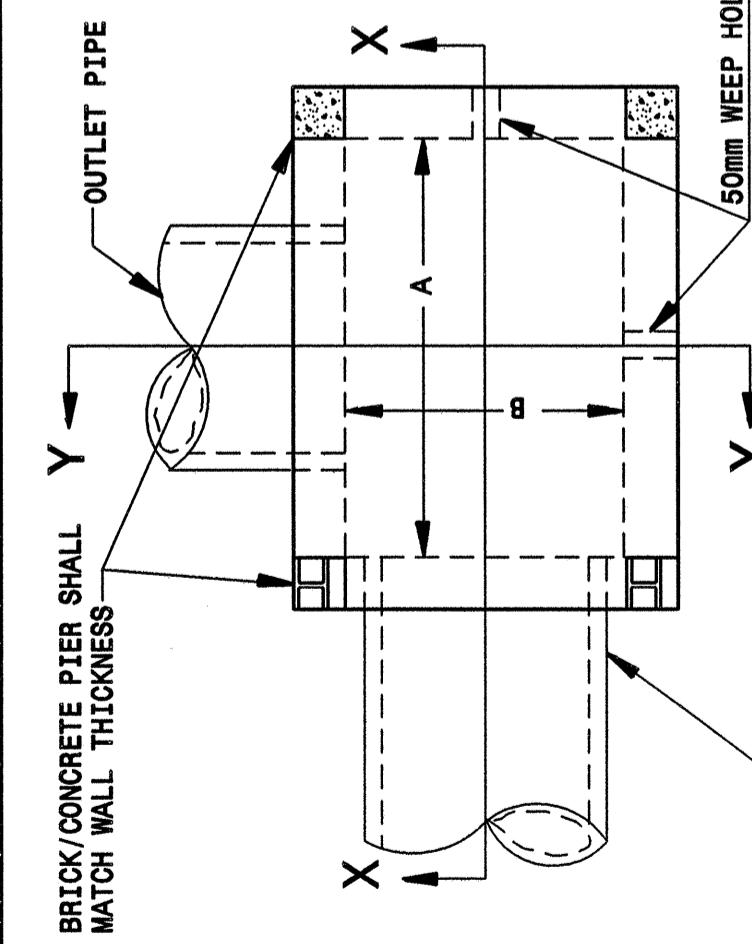
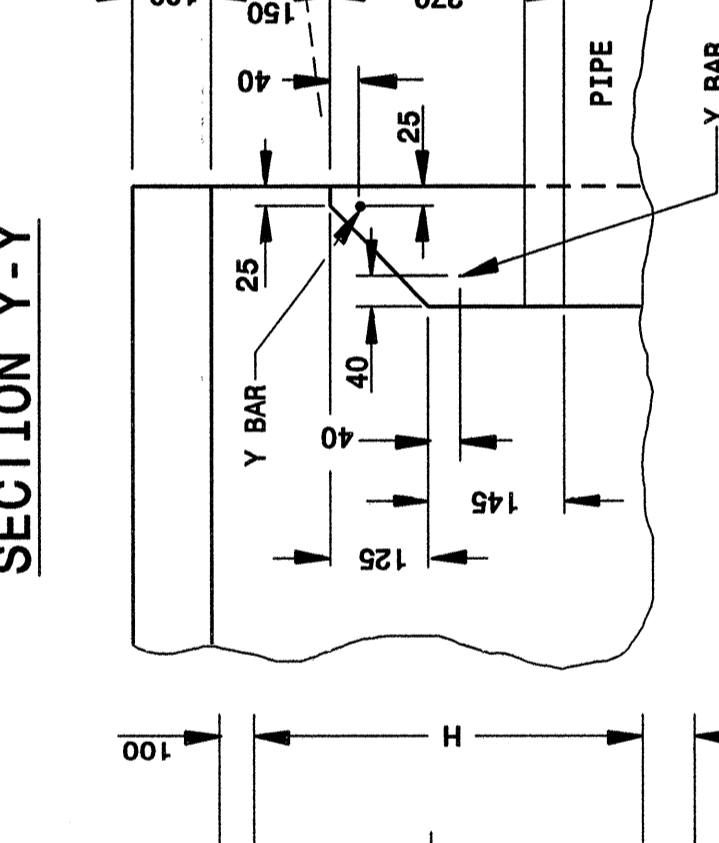
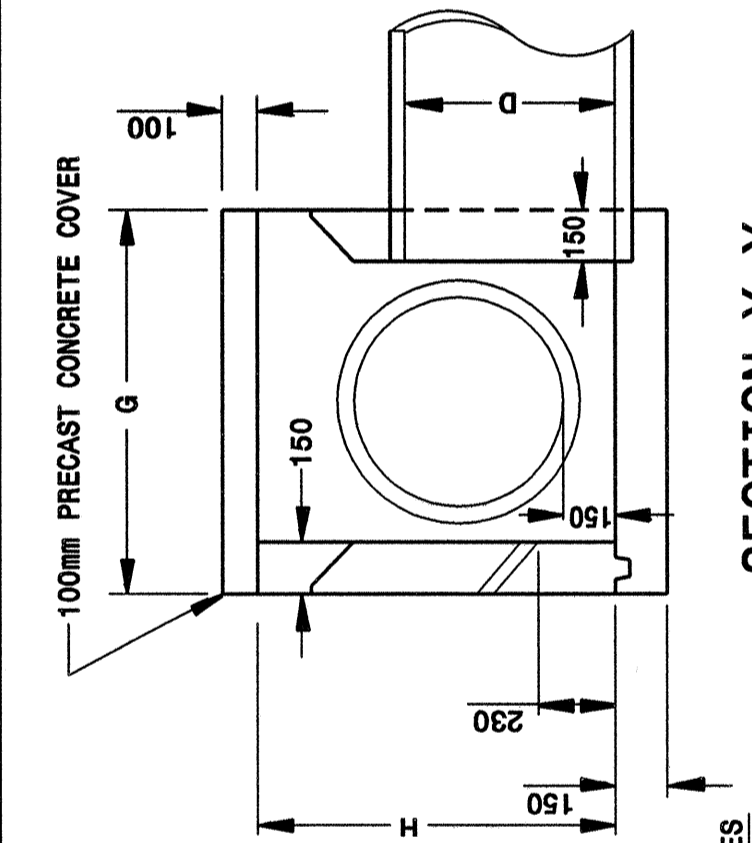




STATE OF NORTH CAROLINA DEPT. OF TRANSPORTATION DIVISION OF HIGHWAYS RALEIGH, N.C.

METRIC DETAIL DRAWING FOR CONCRETE CATCH BASIN (4 SIDE OPEN THROAT) WITH SINGLE AND MULTIPLE PIPES 300mm THRU 1200mm PIPE SHEET 1 OF 2 840D04

GENERAL NOTES:
 ALL CATCH BASINS OVER 1.0m IN DEPTH TO BE PROVIDED WITH STEPS 395mm ON CENTERS. STEPS SHALL BE IN ACCORDANCE WITH STD. 840.66. ALL EXPOSED CORNERS TO BE CHAMFERED 25mm. CLASS "B" CONCRETE TO BE USED THROUGHOUT. 50mm PIPE WEEPHOLES TO BE PLACED AS DIRECTED BY ENGINEER. THE 150mm OPENING SHOWN MAY BE INCREASED TO 200mm MAXIMUM IF DEEMED TO BE NECESSARY BY THE ENGINEER. OPTIONAL CONSTRUCTION - MONOLITHIC POUR, 50mm KEYWAY, OR #15 BAR DOWELS AT 300mm CENTERS AS DIRECTED BY THE ENGINEER. FORMS ARE TO BE USED FOR THE CONSTRUCTION OF THE BOTTOM SLAB. IF REINFORCED CONCRETE PIPE IS SET IN BASE SLAB OF BOX, ADD TO BASE AS SHOWN ON STD. Dwg. 840.100. A STONE DRAIN CONSISTING OF 0.028 CUBIC METERS OF NO. 76M STONE FOR 2.4m IN HEIGHT OR LESS USE 150mm WALLS AND BOTTOM SLAB. OVER 2.4m IN HEIGHT USE 200mm WALLS AND BOTTOM SLAB. QUANTITIES TO BE ADJUSTED ACCORDINGLY.



PART SECTION Y-Y SHOWING METHOD OF CONSTRUCTION IF INCREASED OPENING IS USED

PART SECTION Y-Y SHOWING METHOD OF CONSTRUCTION FOR 150mm OPENING

PIPE DIM'S OF BOX & PIPE	SPAN		WIDTH		HEIGHT		REINFORCING		COVER DIMENSION		COVER DIMENSION		TOTAL QUANTITIES		DEDUCTION		DEPT. OF OPENING
	D	A	B	H	BARS - X	QTY	LENGTH	Y BARS - Y	QTY	LENGTH	F	G	BOX & COVER	ONE PIPE	C.S.	R.C.	
300	1067	686	737	2	914	8	1295	1372	991	0.134	0.207	0.827	19	0.804	0.011	0.024	0.034
375	1067	686	813	2	914	8	1295	1372	991	0.134	0.207	0.827	19	0.852	0.017	0.027	0.034
450	1219	813	889	2	1041	9	1448	1524	1118	0.169	0.260	0.712	24	1.063	0.025	0.037	0.038
600	1219	813	1041	2	1041	9	1448	1524	1118	0.169	0.260	0.712	24	1.172	0.045	0.065	0.038
750	1219	1067	1194	2	1295	11	1448	1524	1372	0.208	0.318	0.787	29	1.472	0.070	0.097	0.038
900	1219	1067	1348	2	1295	11	1448	1524	1372	0.208	0.318	0.787	29	1.582	0.100	0.136	0.038
1050	1219	1067	1499	2	1295	11	1448	1524	1372	0.208	0.318	0.787	29	1.712	0.137	0.185	0.038
1200	1372	1219	1651	2	1448	12	1600	1676	1524	0.255	0.389	0.883	35	2.102	0.179	0.242	0.043

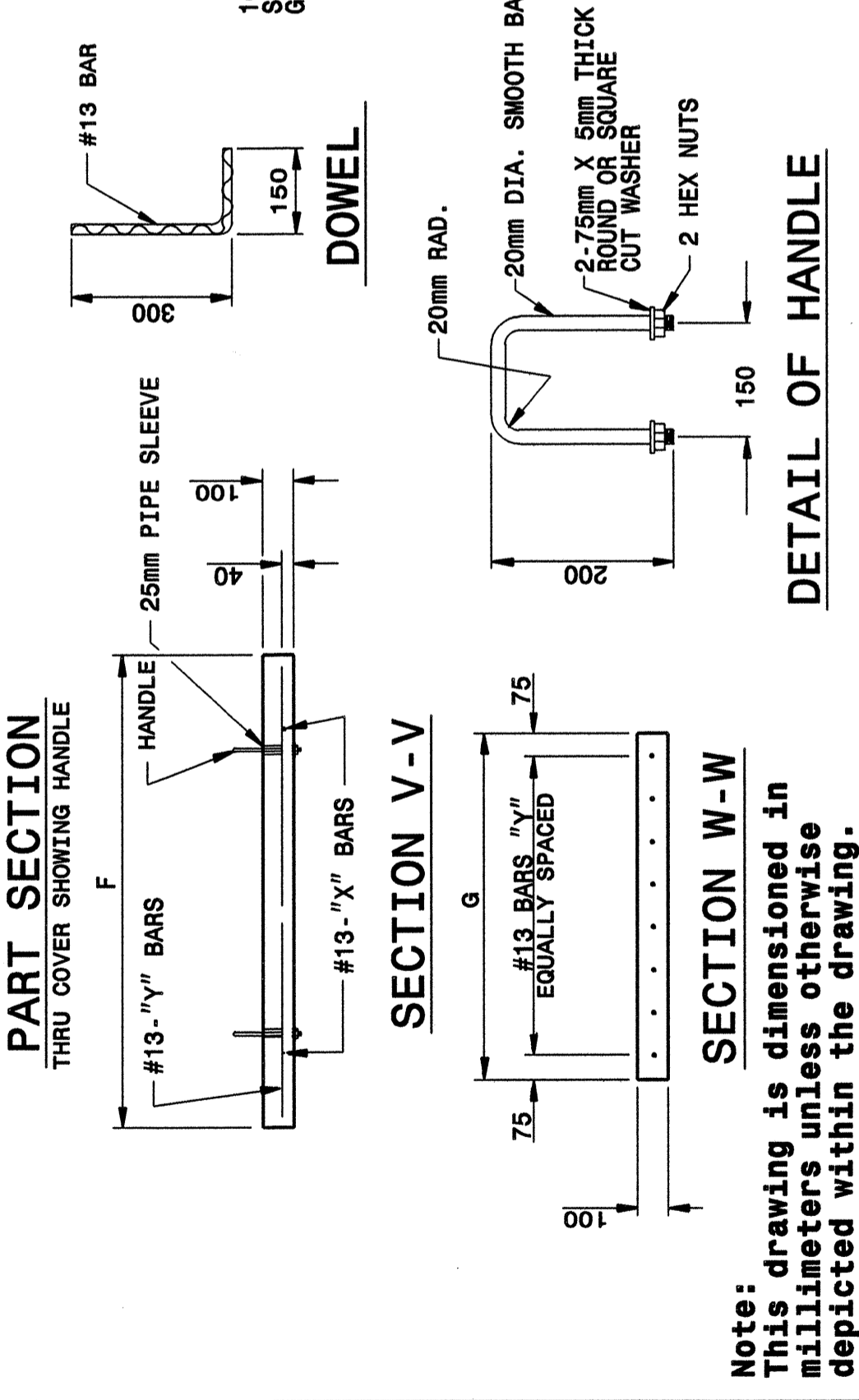
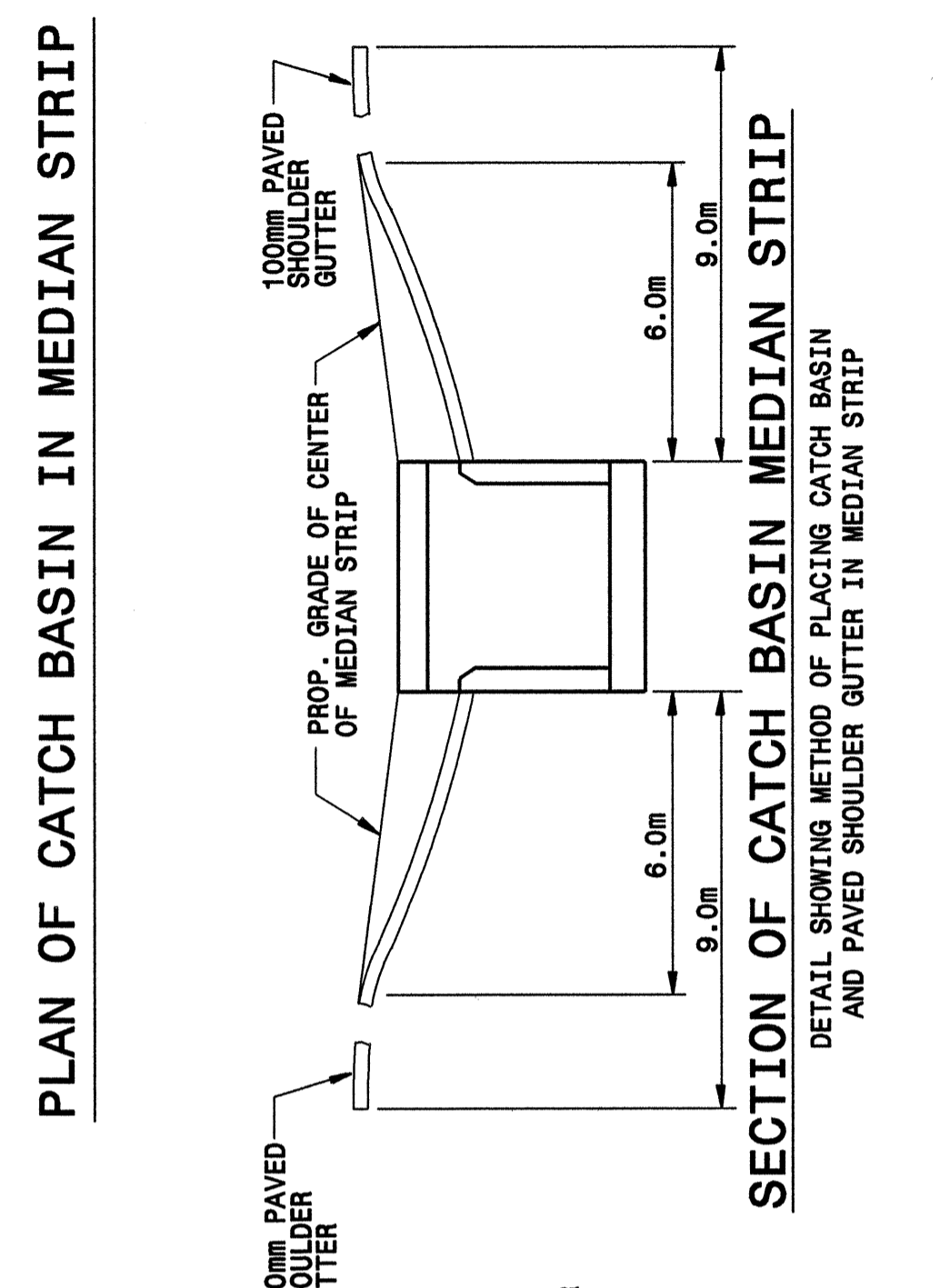
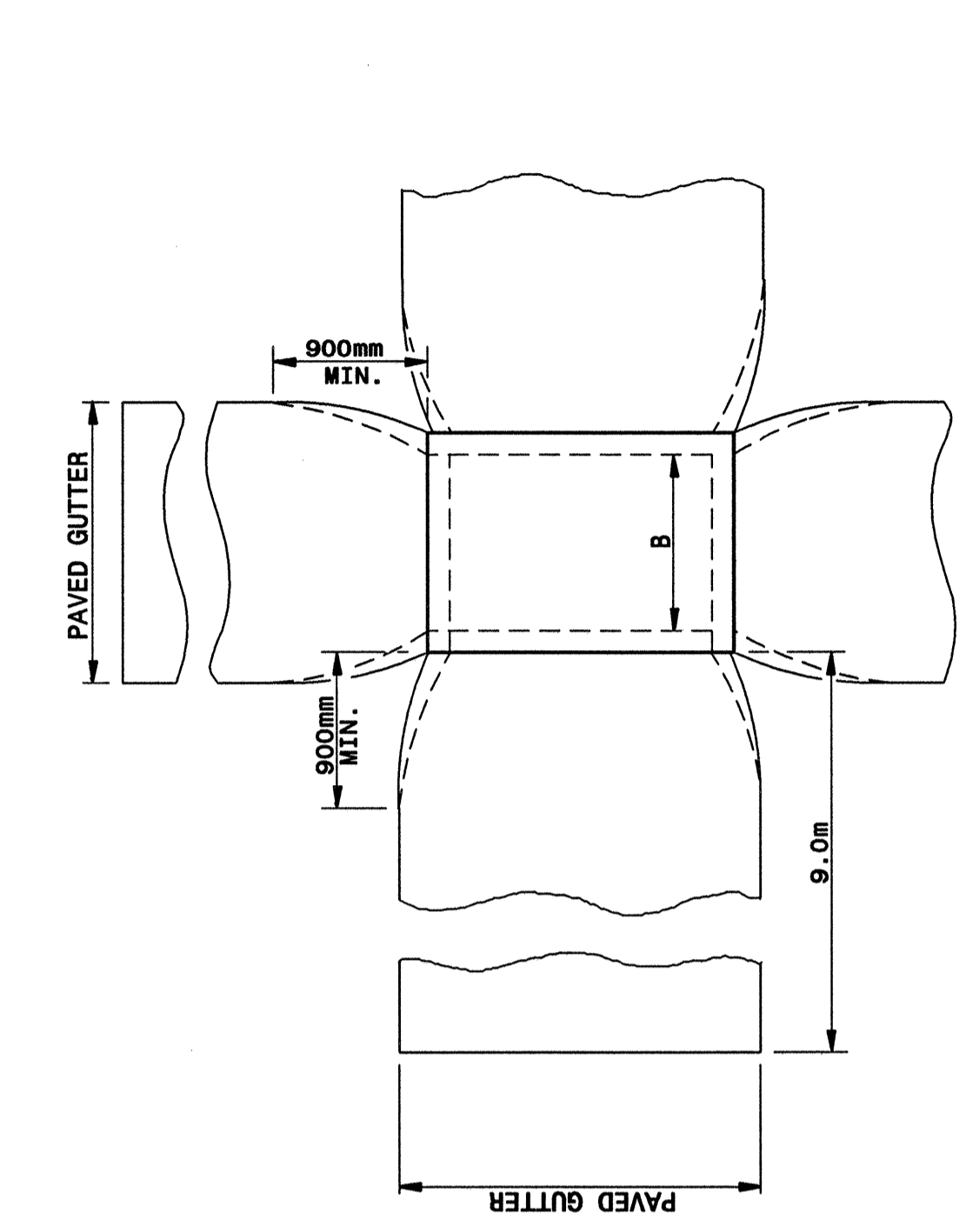
Note: This drawing is dimensioned in millimeters unless otherwise depicted within the drawing.

STATE OF NORTH CAROLINA DEPT. OF TRANSPORTATION DIVISION OF HIGHWAYS RALEIGH, N.C.

METRIC DETAIL DRAWING FOR CONCRETE CATCH BASIN (4 SIDE OPEN THROAT) WITH SINGLE AND MULTIPLE PIPES 300mm THRU 1200mm PIPE SHEET 1 OF 2 840D04

STATE OF NORTH CAROLINA DEPT. OF TRANSPORTATION DIVISION OF HIGHWAYS RALEIGH, N.C.

METRIC DETAIL DRAWING FOR CONCRETE CATCH BASIN (4 SIDE OPEN THROAT) WITH SINGLE AND MULTIPLE PIPES 300mm THRU 1200mm PIPE SHEET 2 OF 2 840D04



METRIC DETAIL DRAWING FOR CONCRETE CATCH BASIN (4 SIDE OPEN THROAT) WITH SINGLE AND MULTIPLE PIPES 300mm THRU 1200mm PIPE SHEET 2 OF 2 840D04

DESIGN SERVICES UNIT STANDARDS AND SPECIAL DESIGN Office 919-250-4128 FAX 919-250-4119

SEE PLATE FOR TITLE

ORIGINAL BY: E.E. WARD DATE: 6-15-99
 MODIFIED BY: DATE: 7/01
 CHECKED BY: DATE: 7/01
 FILE SPEC.: ds172:just/detail/metric/stand/840d04.dgn