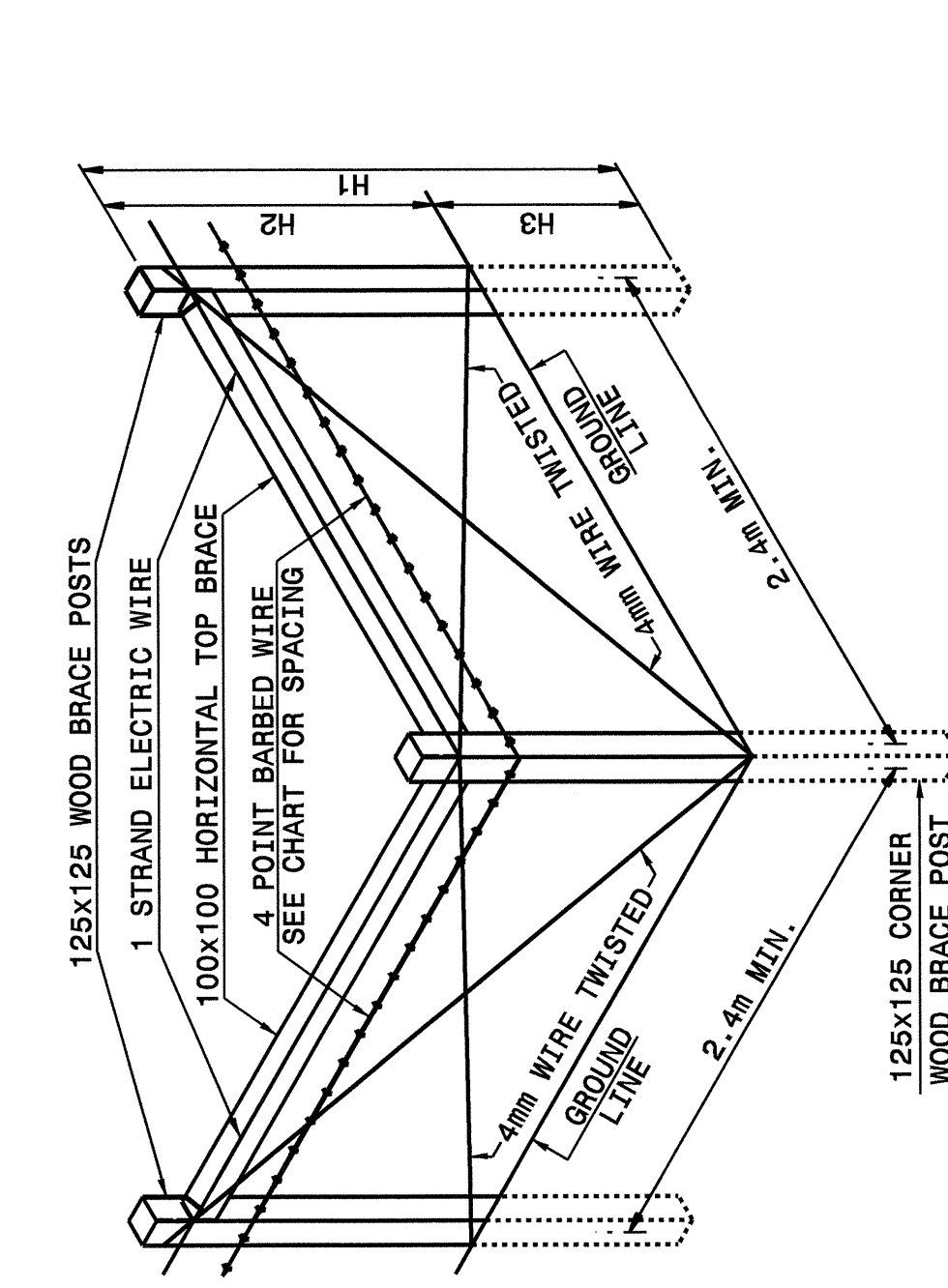




STATE OF NORTH CAROLINA DEPT. OF TRANSPORTATION DIVISION OF HIGHWAYS RALEIGH, N.C.

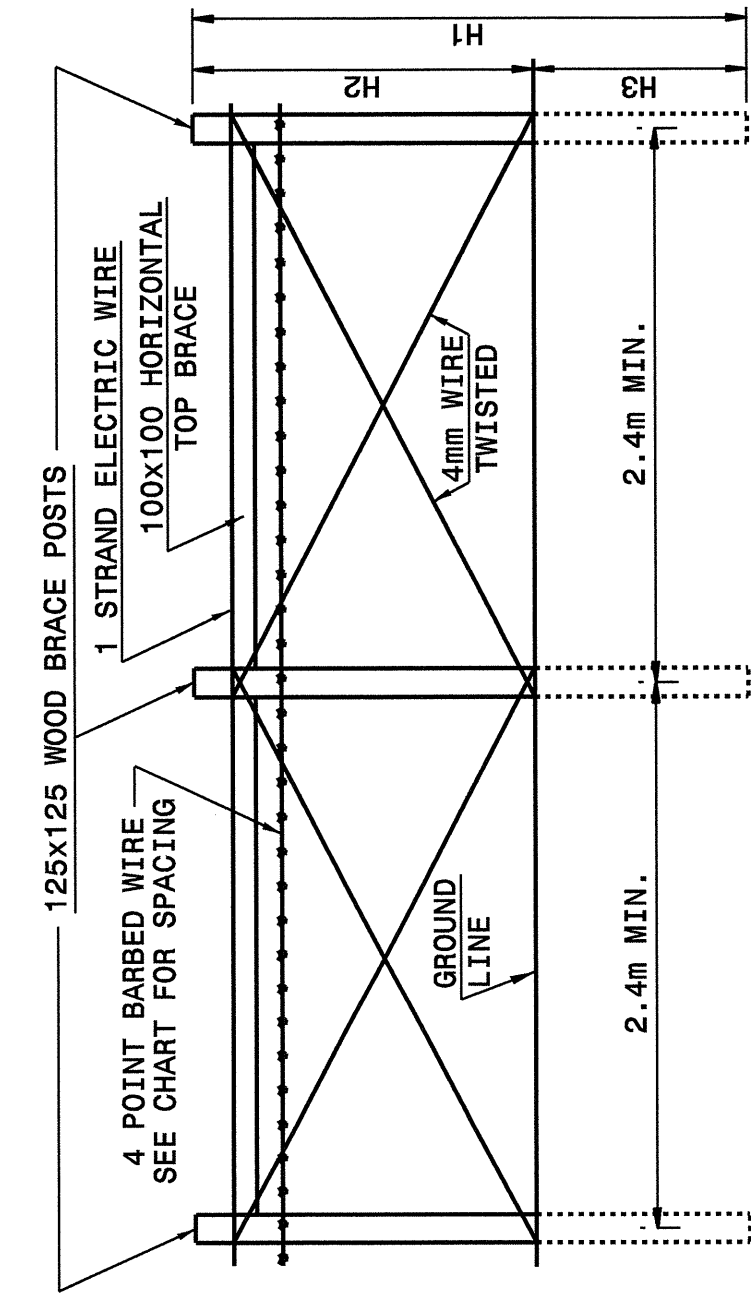
METRIC DETAIL DRAWING FOR 4 STRAND BARBED WIRE FENCE WITH 4 STRAND ELECTRIC WIRE WITH WOOD POSTS

SHEET 1 OF 2 866D04



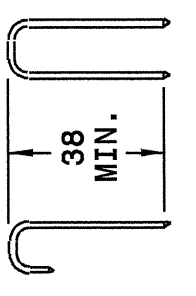
CORNER BRACE

TO BE USED WHEN CORNER ANGLE IS 15° OR GREATER

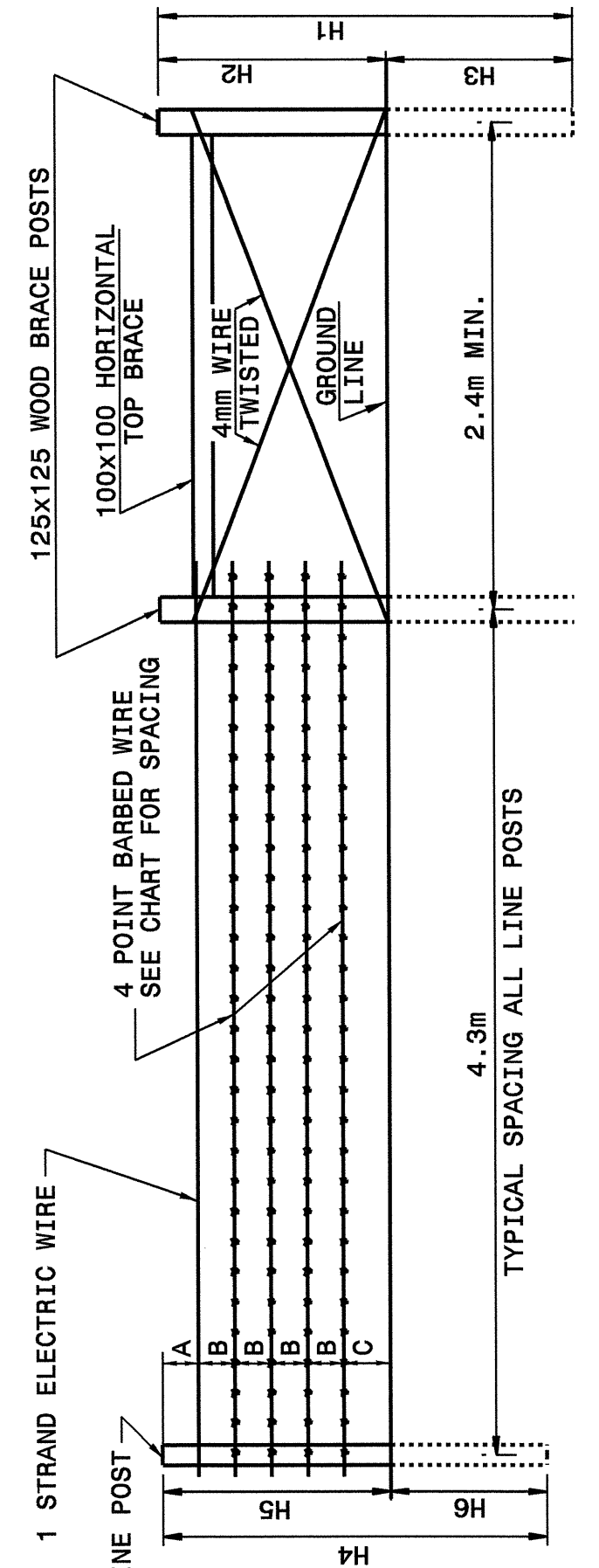


LINE BRACES (MAXIMUM SPACING 100m)

BARBED WIRE CHART W/ELECTRIC WIRE TOP	
NUMBER OF BARBED WIRE STRANDS	4
STRAND SPACING	A 80 B 280 C 200
BRACE POSTS	LENGTH EXPOSED H1 2.4m H2 1.4m H3 1.0m
LINE POSTS	LENGTH EXPOSED H4 2.2m H5 1.4m H6 0.8m
HORIZONTAL BRACE	--- 2.4



ALTERNATE TYPES OF STAPLES



END OR GATE BRACES

TYPICAL SPACING ALL LINE POSTS 4.3m

Note: This drawing is dimensioned in millimeters unless otherwise depicted within the drawing.

STATE OF NORTH CAROLINA DEPT. OF TRANSPORTATION DIVISION OF HIGHWAYS RALEIGH, N.C.

METRIC DETAIL DRAWING FOR 4 STRAND BARBED WIRE FENCE WITH 1 STRAND ELECTRIC WIRE WITH WOOD POSTS

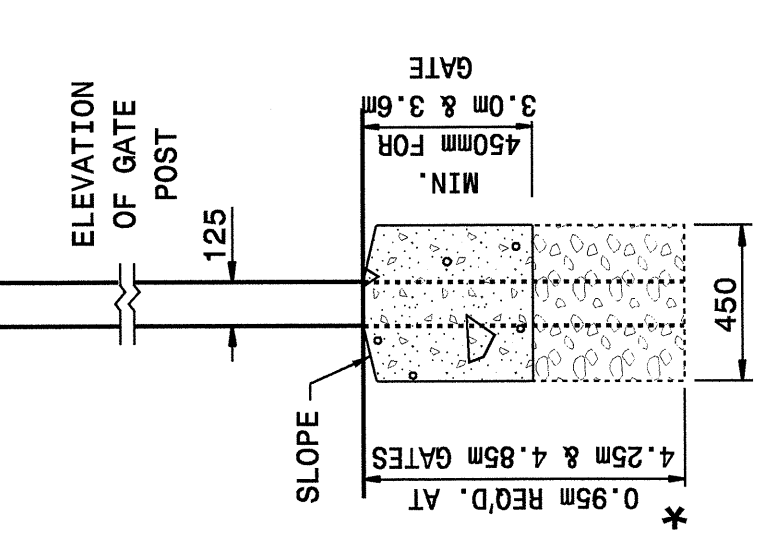
SHEET 1 OF 2 866D04

STATE OF NORTH CAROLINA DEPT. OF TRANSPORTATION DIVISION OF HIGHWAYS RALEIGH, N.C.

METRIC DETAIL DRAWING FOR 4 STRAND BARBED WIRE FENCE WITH 4 STRAND ELECTRIC WIRE WITH WOOD POSTS

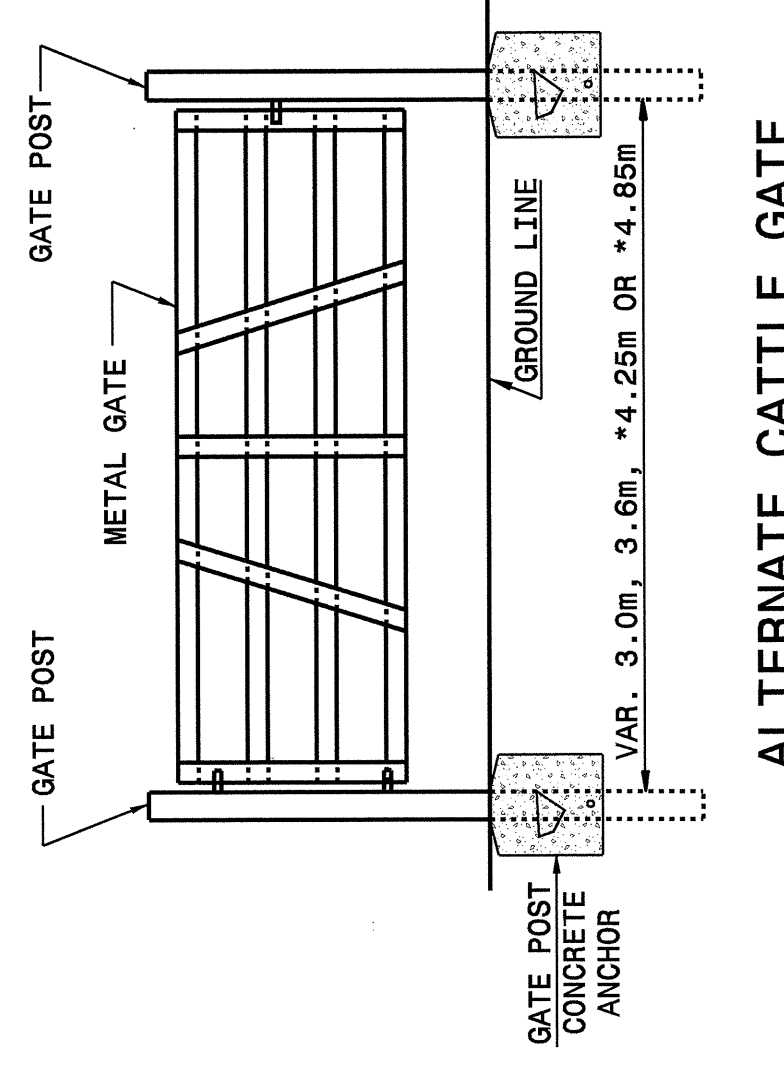
SHEET 2 OF 2 866D04

GENERAL NOTES:
 ALL POSTS AND BRACES MAY BE EITHER ROUND OR SQUARE AT THE OPTION OF THE CONTRACTOR, PROVIDED THE SAME TYPE IS USED THROUGHOUT THE PROJECT.
 DIMENSIONS SHOWN ARE THE DIAMETER OF ROUND OR EDGE DIMENSIONS OF SQUARE POSTS AND BRACES.
 ERECT LINE BRACES BETWEEN END, CORNER OR GATE POSTS. PLACE LINE BRACES AT INTERVALS NOT EXCEEDING 100m AND AT THE END OF THE BARBED WIRE ROLL.
 THE 100m INTERVAL MAY BE REDUCED BY THE ENGINEER ON CURVES WHERE THE RADIUS OF CURVATURE IS LESS THAN 565m.
 NOTCH BRACE POSTS ARE 25mm MINIMUM FOR HORIZONTAL BRACES. PLACE TWO GALVANIZED 12G OR THREE GALVANIZED 10d NAILS AT EACH END OF ALL BRACES.
 PLACE THE BRACE WIRE AROUND THE POST. DRAW ALL BRACE WIRE TAUT BY TWISTING BETWEEN EACH POST.
 INSTALL THE FENCE FACING THE PROPERTY OWNER EXCEPT THAT ON HORIZONTAL CURVES HAVING LESS THAN A 565m RADIUS, INSTALL THE FENCE TO PULL AGAINST ALL POSTS. SEE STD. 866.02 FOR FENCING AT DITCH CROSSINGS, BREAKS IN GRADES AND R/W BREAKS.
 USE LATCH DEVICE APPROVED BY THE ENGINEER. HINGE ASSEMBLY AS SHOWN IS SUGGESTED. SUBSTITUTION MAY BE SUBJECT TO APPROVAL BY THE ENGINEER. USE GATE FRAME WITH 35mm DIAMETER GALVANIZED STEEL PIPE EXCEPT AS SHOWN HERE.

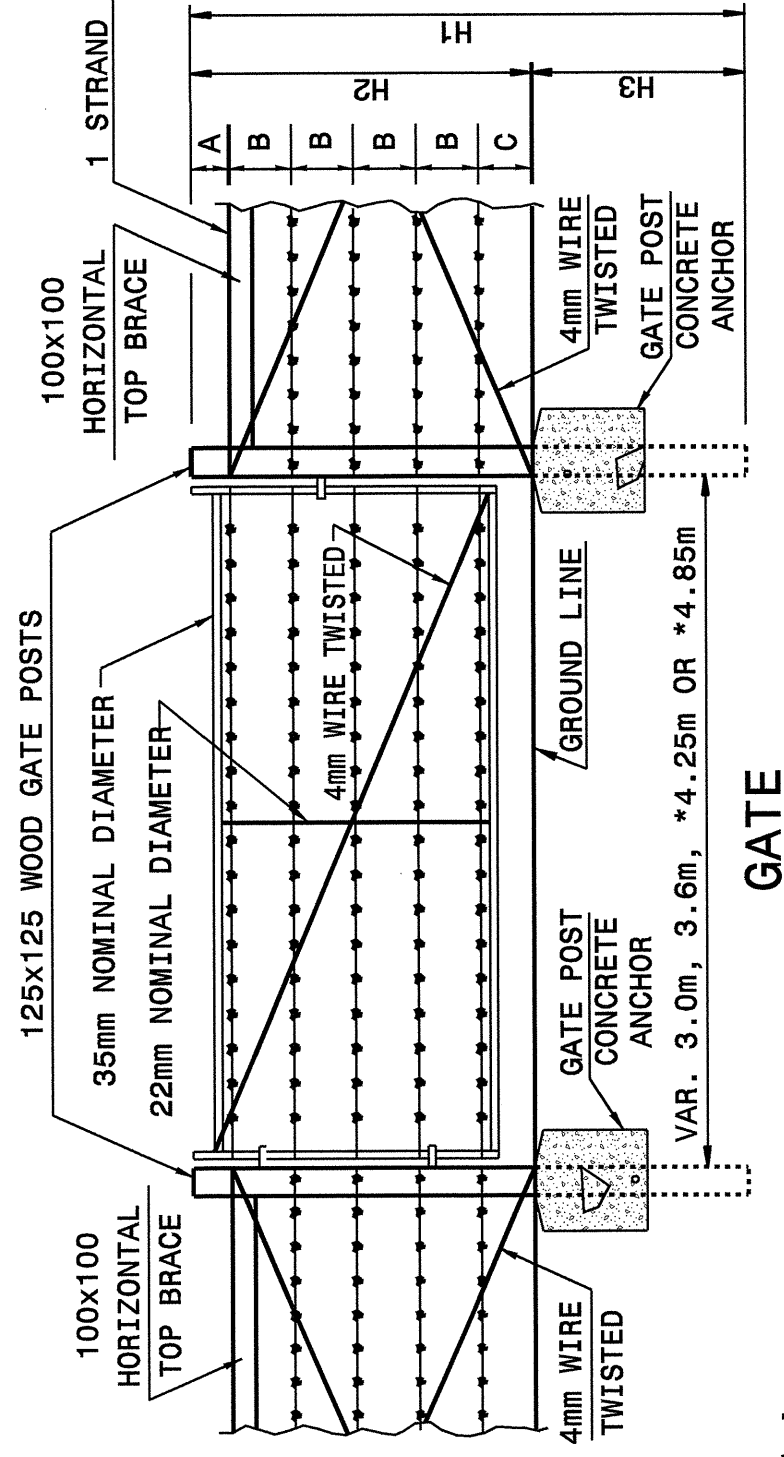


DETAIL OF GATE POST ANCHOR

CLASS "B" CONCRETE TO BE USED AT GATE POSTS OR WHERE REQUIRED BY SOIL CONDITIONS. CONCRETE MAY ALSO BE USED IN LIEU OF SETTING POSTS TO THEIR MAXIMUM DEPTH.



ALTERNATE CATTLE GATE



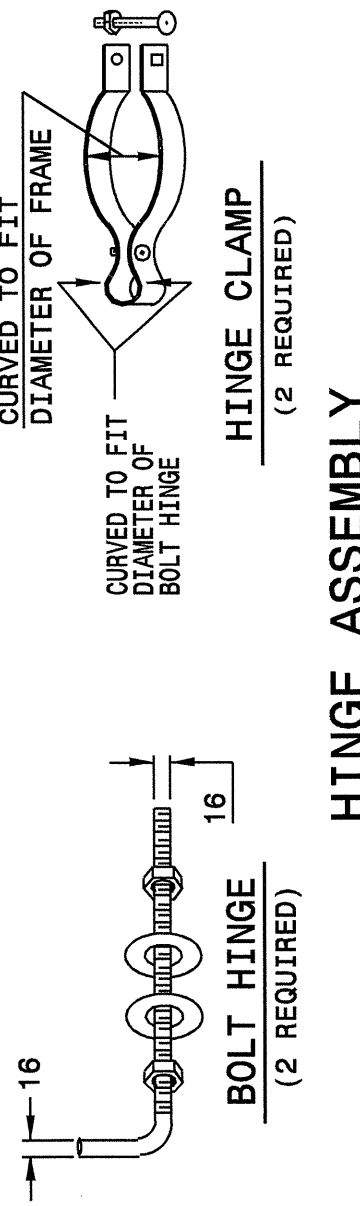
GATE

Note: This drawing is dimensioned in millimeters unless otherwise depicted within the drawing.

STATE OF NORTH CAROLINA DEPT. OF TRANSPORTATION DIVISION OF HIGHWAYS RALEIGH, N.C.

METRIC DETAIL DRAWING FOR 4 STRAND BARBED WIRE FENCE WITH 1 STRAND ELECTRIC WIRE WITH WOOD POSTS

SHEET 2 OF 2 866D04



HINGE ASSEMBLY

DESIGN SERVICES UNIT
 STANDARDS AND SPECIAL DESIGN
 Office 919-250-4128 FAX 919-250-4119

4 STRAND BARBED WIRE FENCE WITH 1 STRAND ELECTRIC WITH WOOD/STEEL POSTS

ORIGINAL BY: N.T.K. DATE: AUG/96
 MODIFIED BY: J. Spell DATE: AUG/04
 CHECKED BY: J. Spell DATE: 9/17/04
 FILE SPEC.: w:\usr\details\fence\1s_ewfm.dgn

16-SFP-2004 16a25
 W:\Special Details\Metricward\usr\details\metric\Fence\1s_ewfm.dgn
 .tspell AT D:\203655