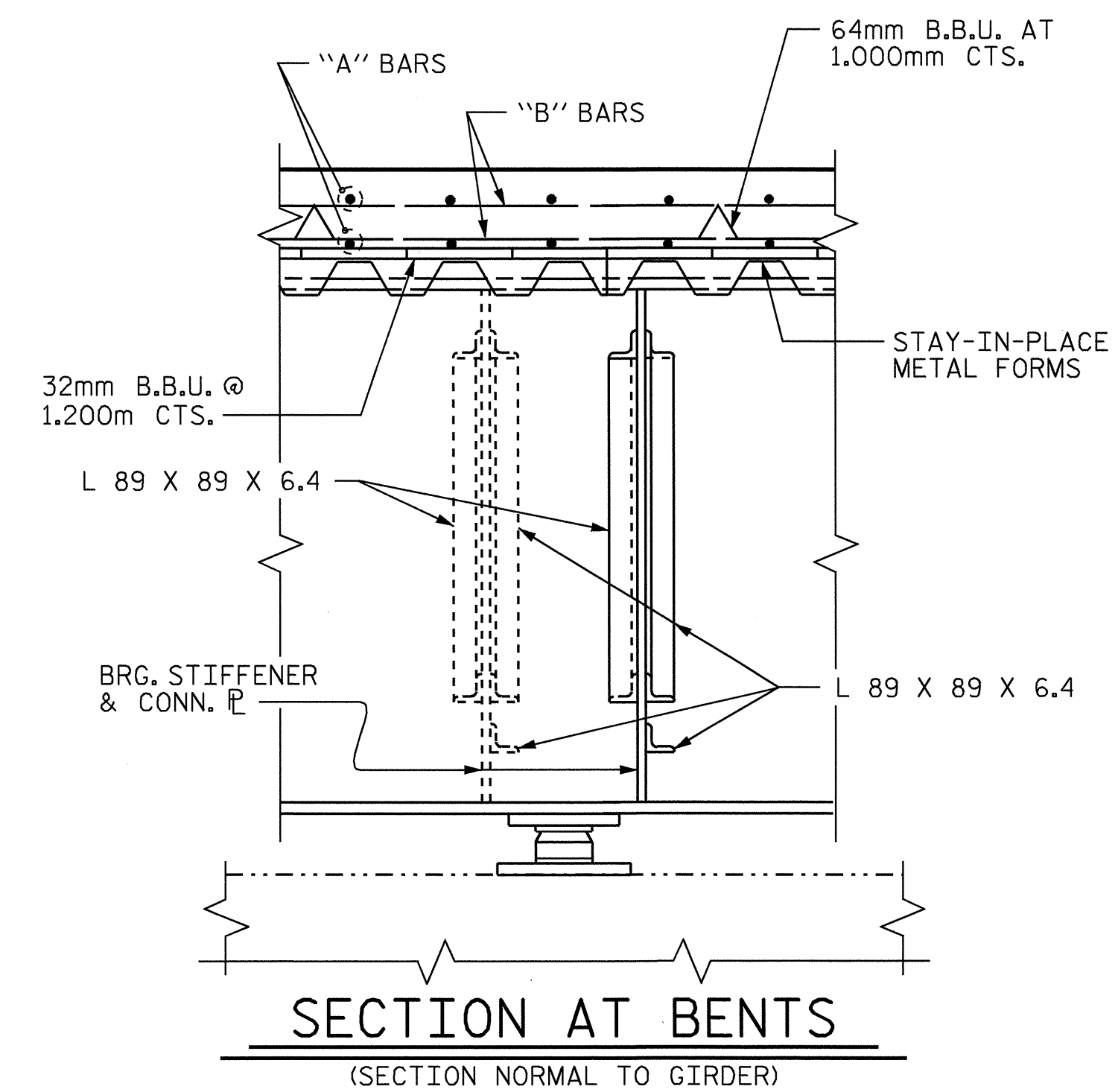


SECTION A-A

(AT END BENTS)

* #16 "G" BAR MAY BE SHIFTED SLIGHTLY AS NECESSARY TO CLEAR REINFORCING STEEL AND STIRRUPS.



PROJECT NO. R-2206B
LINCOLN COUNTY
 STATION: 123+38.105 -L-

SHEET 2 OF 2

STATE OF NORTH CAROLINA
 DEPARTMENT OF TRANSPORTATION
 RALEIGH

== SUPERSTRUCTURE ==
 TYPICAL SECTIONS
 (LEFT LANE)



DRAWN BY : M. J. OSTRISHKO DATE : 4-2-01
 CHECKED BY : E. G. ALLEN DATE : 4-20-01

20-AUG-2004 15:46
 W:\squad\2206b\Final Plans\str1\2206b01.s.dgn
 klayne

REVISIONS						SHEET NO.
NO.	BY:	DATE:	NO.	BY:	DATE:	S-7
1			3			TOTAL SHEETS
2			4			86

STR. #1