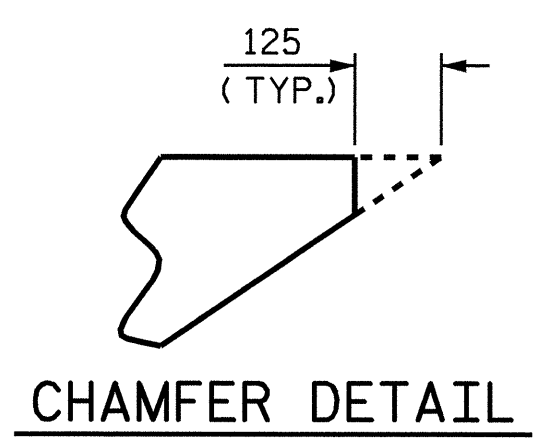
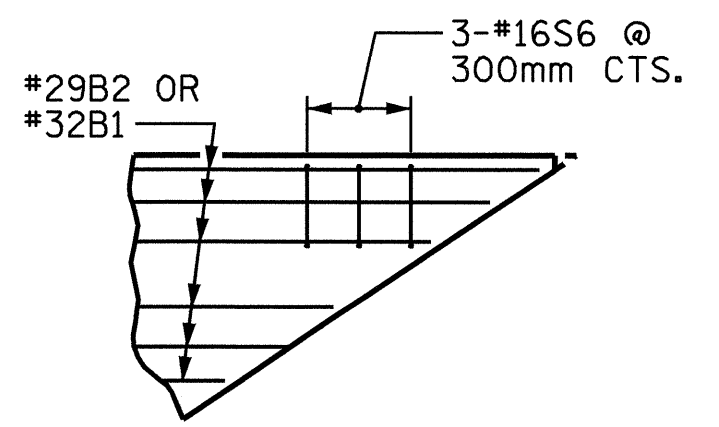


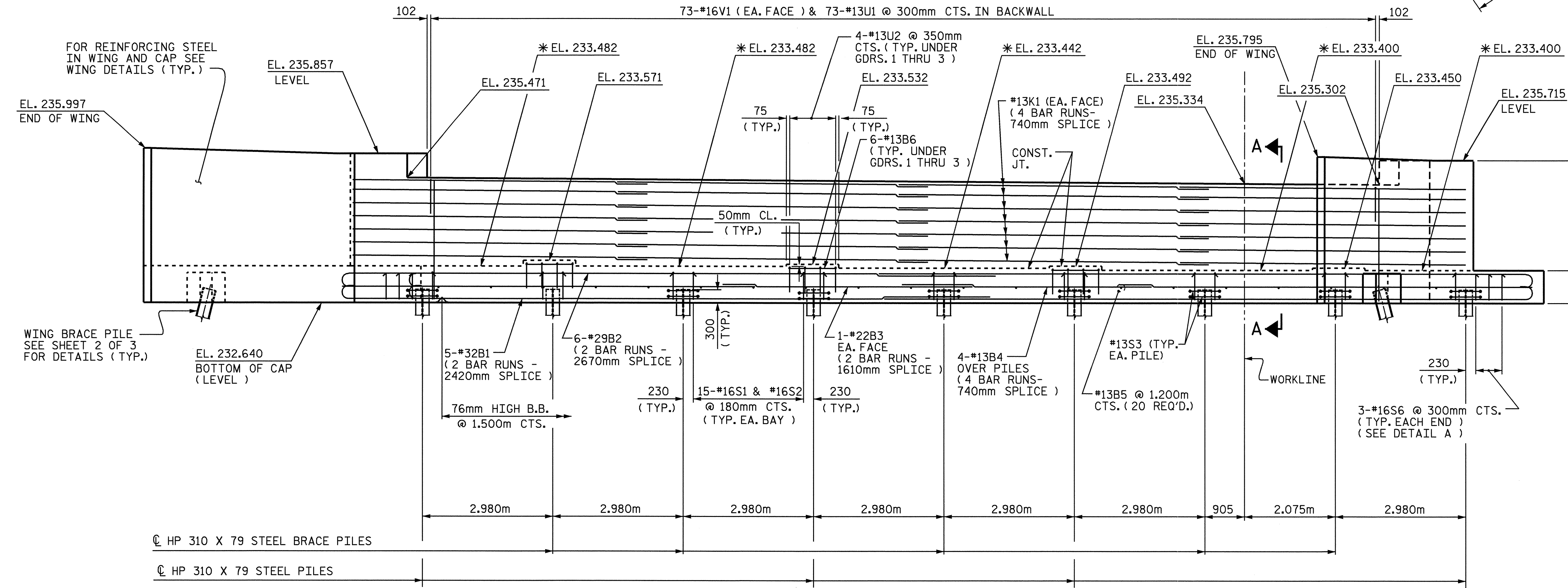
PLAN



CHAMFER DETAIL



DETAIL A
(OPPOSITE END SIMILAR BY ROTATION)



ELEVATION

* FOR LOCATIONS OF ELEVATIONS BETWEEN BRIDGE SEAT BUILDUPS, SEE "SECTION A-A"

PROJECT NO. **R-2206B**
LINCOLN COUNTY
 STATION: **123+38.105 -L-**

SHEET 1 OF 3
 STATE OF NORTH CAROLINA
 DEPARTMENT OF TRANSPORTATION
 RALEIGH
SUBSTRUCTURE
END BENT 1
(LEFT LANE)

| REVISIONS | | | | SHEET NO. | |
|-----------|-----|-------|-----|-----------|-------|
| NO. | BY: | DATE: | NO. | BY: | DATE: |
| 1 | | | 3 | | |
| 2 | | | 4 | | |

TOTAL SHEETS: **86**

DRAWN BY: **E. G. ALLEN** DATE: **3-5-01**
 CHECKED BY: **H. A. LOCKLEAR** DATE: **3-23-01**

23-AUG-2004 10:30
 W:\squad1\2206b\Final Plans\str1\2206b01eb1.dgn
 tpayne

STR. #1