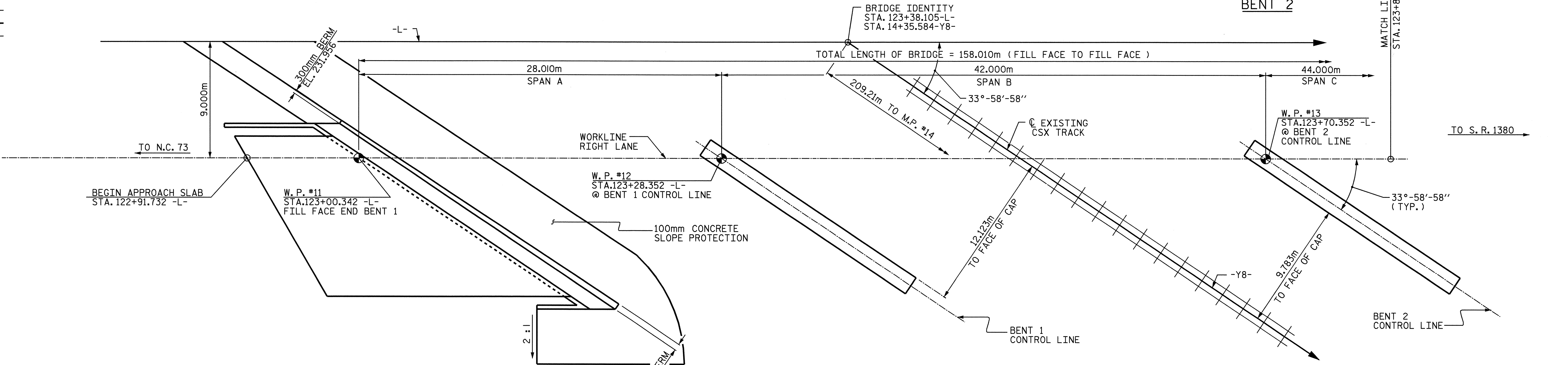


**SECTION ALONG WORKLINE RIGHT LANE**  
SECTION @ BENTS AND END BENTS TAKEN @ RIGHT ANGLES



**TOP OF RAIL ELEVATIONS**

STATION	LEFT RAIL	RIGHT RAIL
13+80.000	224.618	224.623
14+00.000	224.501	224.505
14+20.000	224.373	224.379
14+40.000	224.247	224.250
14+60.000	224.137	224.126
14+80.000	224.037	224.012
15+00.000	223.940	223.941

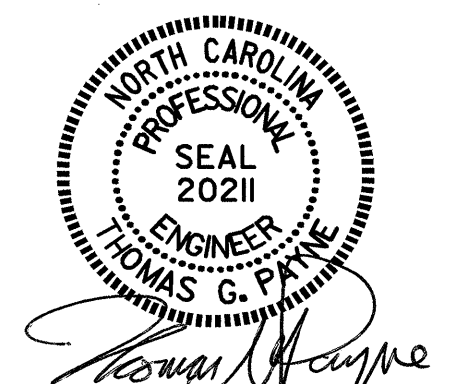
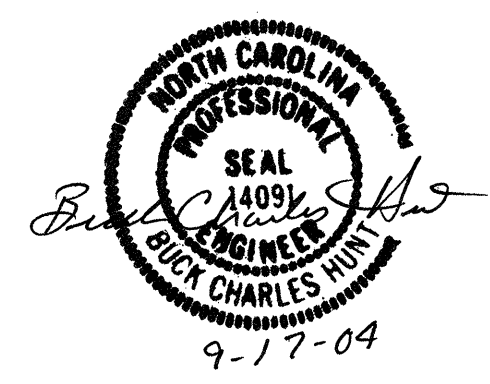
**PLAN OF RIGHT LANE**  
(PILES NOT SHOWN FOR CLARITY)

PROJECT NO. R-2206B  
LINCOLN COUNTY

STATION: 123+38.105-L-  
14+35.584-Y8-

SHEET 1 OF 5 MILE POST NO. 13.87

BRIDGE NO. 299  
STATE OF NORTH CAROLINA  
DEPARTMENT OF TRANSPORTATION  
RALEIGH  
**GENERAL DRAWING**  
FOR BRIDGE ON  
NC 16 BYPASS NORTHBOUND  
OVER CSX RAILROAD  
& FORNEY CREEK  
BETWEEN NC 73 & SR 1380  
(RIGHT LANE)



REVISIONS				SHEET NO.		
NO.	BY:	DATE:	NO.	BY:	DATE:	TOTAL SHEETS
1			3			86
2			4			

DRAWN BY: W.R. BRILEY DATE: 4-3-01  
CHECKED BY: E.G. ALLEN DATE: 6-11-01