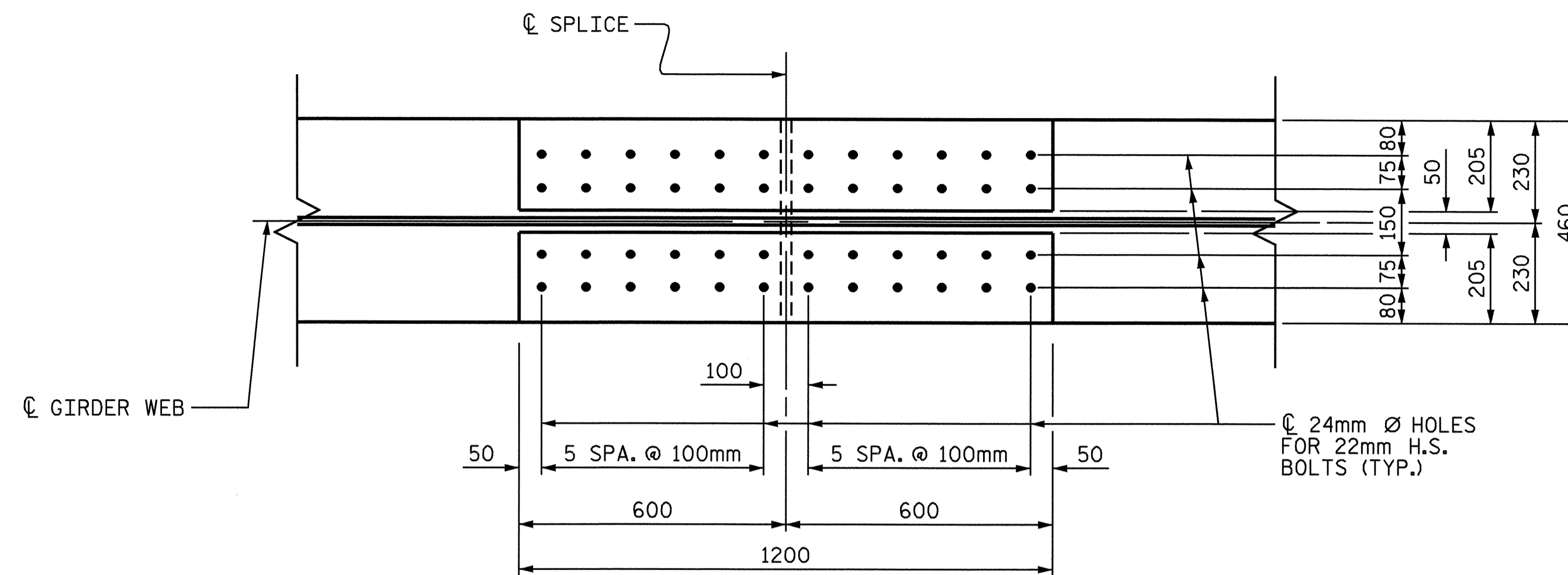
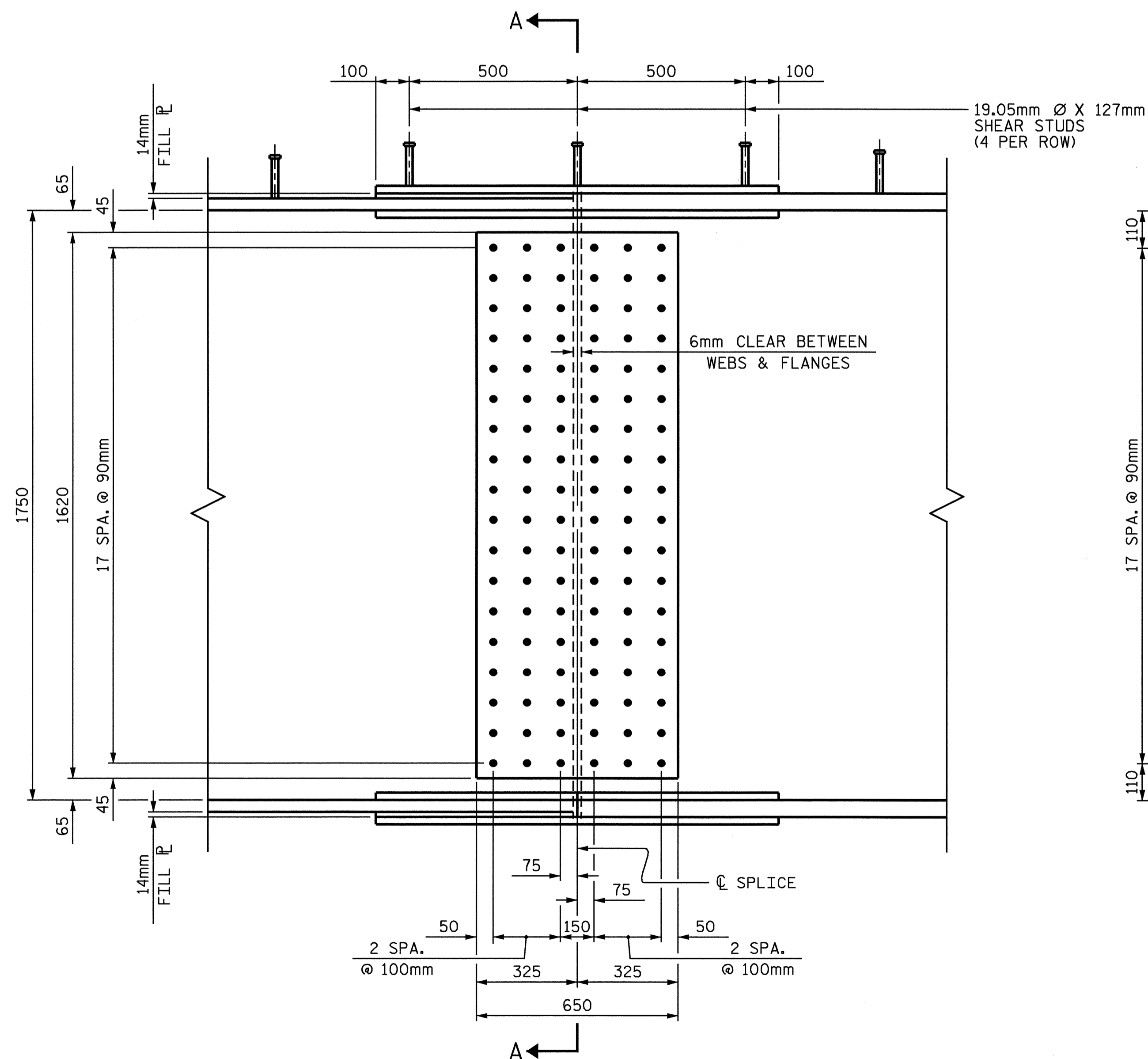


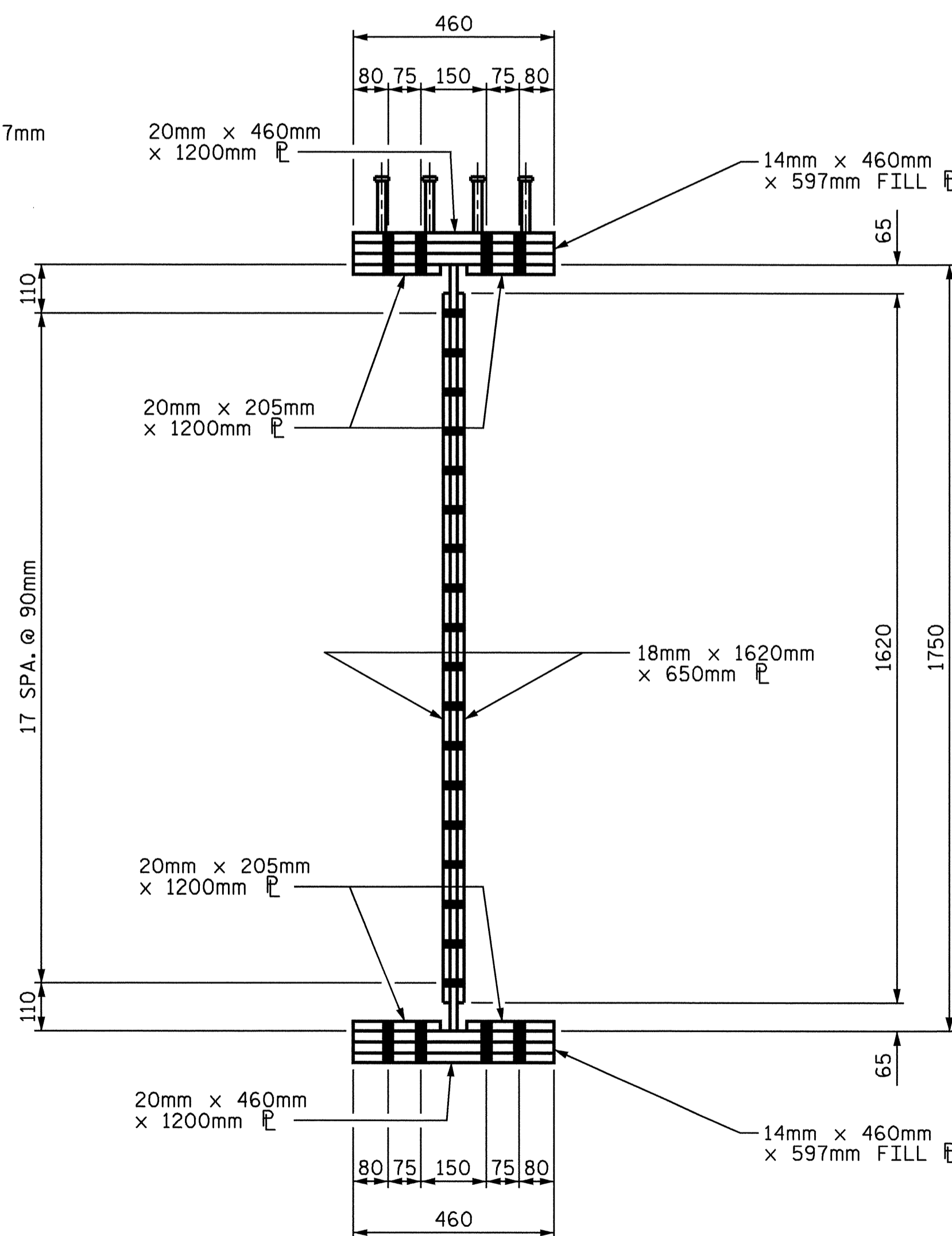
PLAN (TOP OF TOP FLANGE)



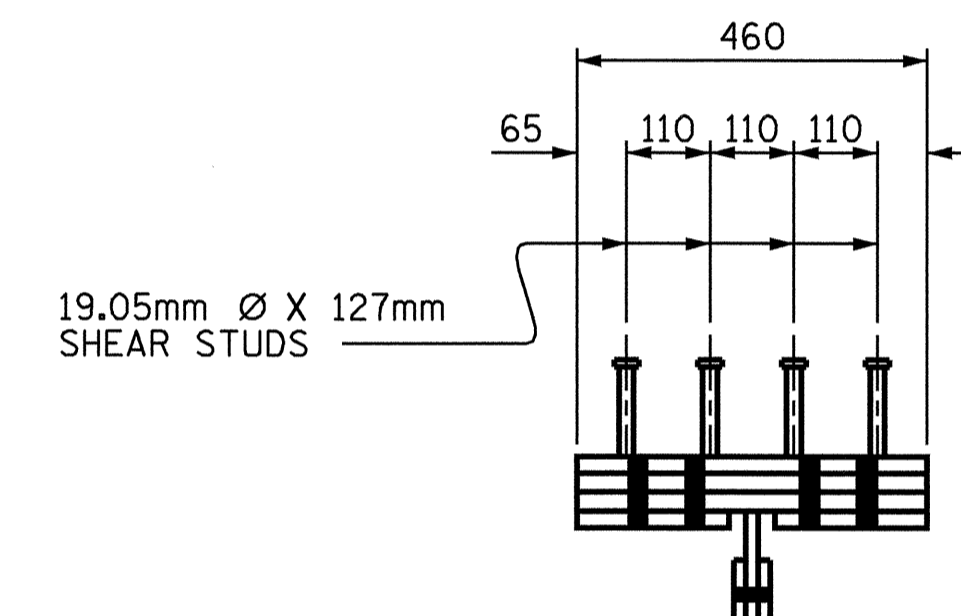
PLAN (TOP OF BOTTOM FLANGE)



ELEVATION



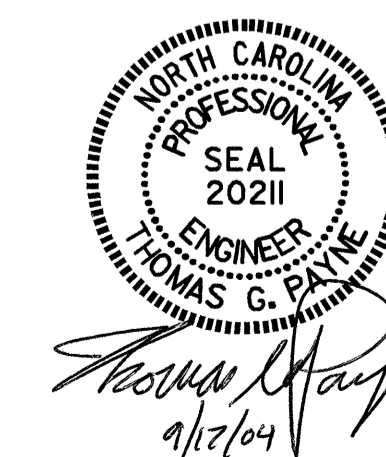
SECTION A-A



SHEAR STUD DETAIL FOR TOP FLANGE SPLICE PLATE

PROJECT NO. R-2206B
 LINCOLN COUNTY
 STATION: 123+38.105 -L-

SHEET 5 OF 6



STATE OF NORTH CAROLINA
 DEPARTMENT OF TRANSPORTATION
 RALEIGH
 SUPERSTRUCTURE
 STRUCTURAL STEEL
 DETAILS
 (RIGHT LANE)

DRAWN BY: M. J. OSTRISHKO DATE: 4-2-01
 CHECKED BY: E. G. ALLEN DATE: 4-20-01

BOLTED FIELD SPLICE DETAILS (TYPICAL SPLICES @ 460mm FLANGES)

REVISIONS						SHEET NO.	
NO.	BY:	DATE:	NO.	BY:	DATE:	TOTAL SHEETS	
1			3			S-59	
2			4			86	