

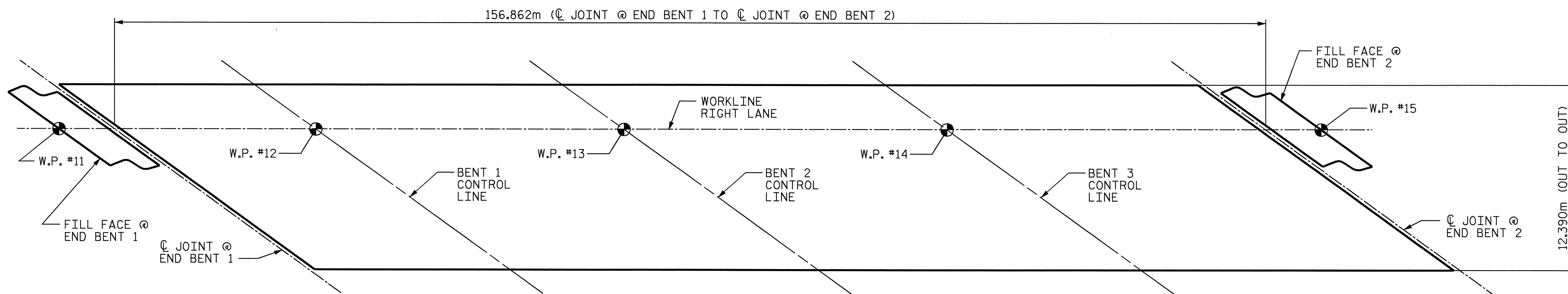
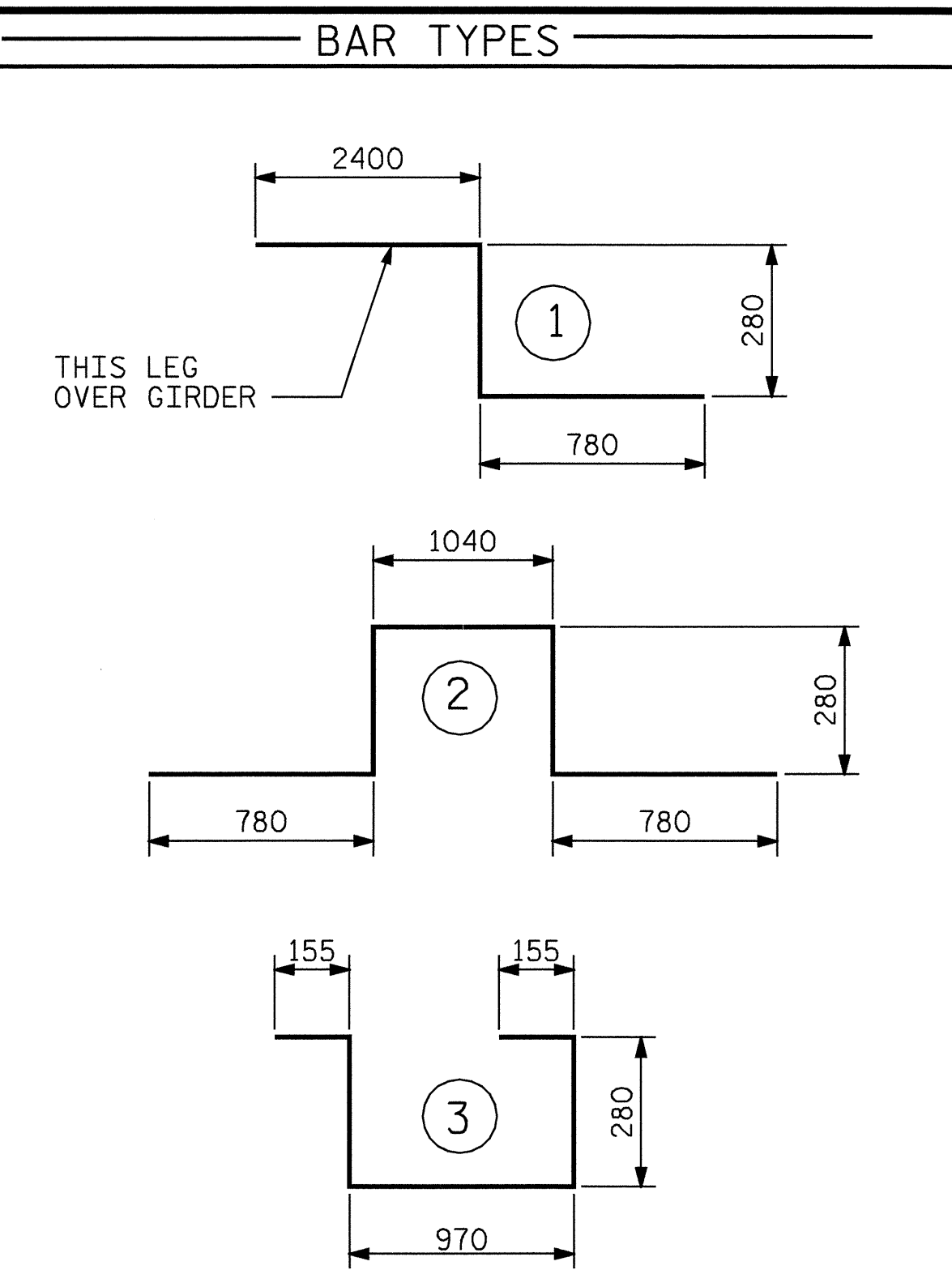
**SUPERSTRUCTURE REINFORCING STEEL LENGTHS ARE BASED ON THE FOLLOWING MINIMUM SPLICE LENGTHS**

BAR SIZE	SUPERSTRUCTURE EXCEPT APPROACH SLABS, PARAPET, AND BARRIER RAIL		APPROACH SLABS		PARAPET AND BARRIER RAIL
	EPOXY COATED	UNCOATED	EPOXY COATED	UNCOATED	
#13	610	540	610	540	840
#16	770	660	770	660	1050
#19	920	790	1190	790	1330
#22	1580	1060			
#25	2080	1390			

**REINFORCING BAR SCHEDULE**

**SPANS A THRU D**

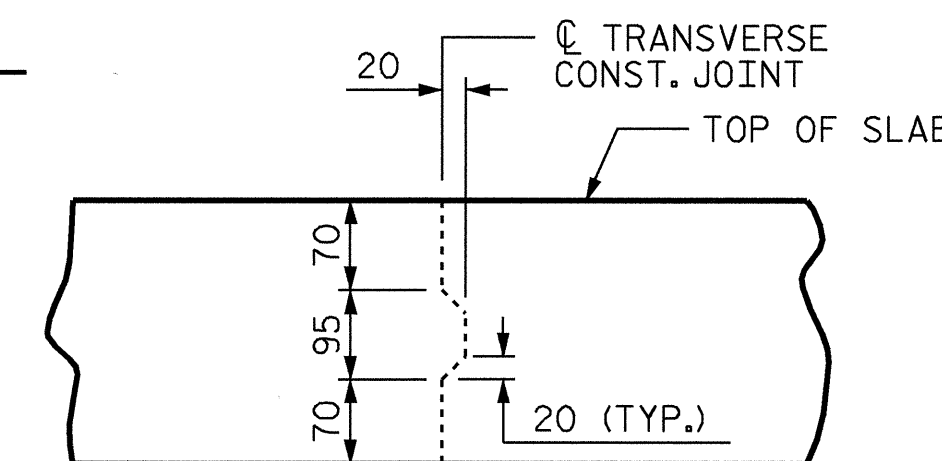
BAR NO.	SIZE	TYPE	LENGTH	WEIGHT	BAR NO.	SIZE	TYPE	LENGTH	WEIGHT	BAR NO.	SIZE	TYPE	LENGTH	WEIGHT			
* A1	990	#16	STR	12240	18807	A201	20	#16	STR	11280	350	* B4	84	#13	STR	8880	741
A2	990	#16	STR	12240	18807	A202	20	#16	STR	10340	321	* B5	164	#19	STR	10460	3834
* A101	20	#16	STR	11280	350	A203	20	#16	STR	9400	292	* B6	84	#13	STR	7660	640
* A102	20	#16	STR	10340	321	A204	20	#16	STR	8460	263	* B7	164	#19	STR	12400	4545
* A103	20	#16	STR	9400	292	A205	20	#16	STR	7520	233	* B8	112	#13	STR	8780	977
* A104	20	#16	STR	8460	263	A206	20	#16	STR	6560	204	* G1	4	#16	STR	11340	70
* A105	20	#16	STR	7520	233	A207	20	#16	STR	5620	174	* K1	20	#19	1	3460	155
* A106	20	#16	STR	6560	204	A208	20	#16	STR	4680	145	* K2	20	#19	2	3160	141
* A107	20	#16	STR	5620	174	A209	20	#16	STR	3740	116	* K3	30	#19	STR	5800	389
* A108	20	#16	STR	4680	145	A210	20	#16	STR	2800	87	* S11	84	#13	3	1840	154
* A109	20	#16	STR	3740	116	A211	20	#16	STR	1840	57	REINFORCING STEEL = 34216 kg					
* A110	20	#16	STR	2800	87	A212	20	#16	STR	900	28	* EPOXY COATED REINFORCING STEEL = 36868 kg					
* A111	20	#16	STR	1840	57	B1	520	#16	STR	16280	13139						
* A112	20	#16	STR	900	28	* B2	84	#13	STR	6280	524						
										* B3	164	#19	STR	9880	3621		



**LAYOUT FOR COMPUTING AREA OF REINFORCED CONCRETE DECK SLAB (SQ. METER = 1943.5)**

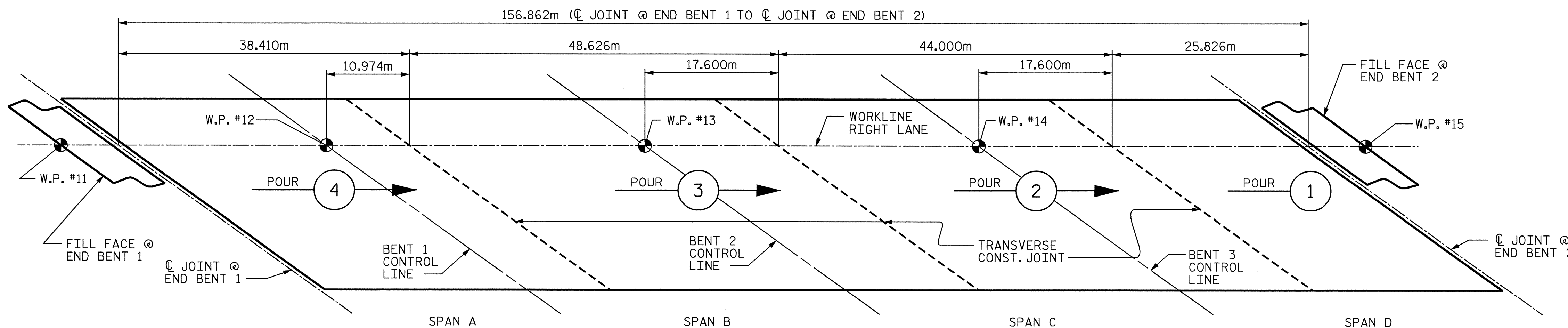
**GROOVING BRIDGE FLOORS**

BRIDGE DECK	1643.3	SQ.METER
APPROACH SLABS	271.0	SQ.METER
<b>TOTAL</b>	<b>1914.3</b>	<b>SQ.METER</b>



**TRANSVERSE CONSTRUCTION JOINT DETAIL**

NOTE: SLAB REINFORCING STEEL SHALL BE CONTINUOUS THRU JOINT



**POUR SEQUENCE**

INDICATES DIRECTION OF POUR



PROJECT NO. R-2206B  
LINCOLN COUNTY  
 STATION: 123+38.105 -L-

STATE OF NORTH CAROLINA  
 DEPARTMENT OF TRANSPORTATION  
 RALEIGH  
 STANDARD  
 SUPERSTRUCTURE  
 BILL OF MATERIAL  
 (RIGHT LANE)

ASSEMBLED BY : M. J. OSTRISHKO DATE : 4-2-01  
 CHECKED BY : E. G. ALLEN DATE : 4-23-01  
 DRAWN BY : JMB 5/87 REV. 5/16/97 EEM/RGW  
 CHECKED BY : SJD 9/87

20-AUG-2004 16:05  
 W:\squad1\2206b\Final Plans\str2\2206b02bm.dgn  
 klayne

REVISIONS						SHEET NO. <b>S-69</b>
NO.	BY:	DATE:	NO.	BY:	DATE:	
1			3			TOTAL SHEETS <b>86</b>
2			4			

STR. #2