

**NOTES**

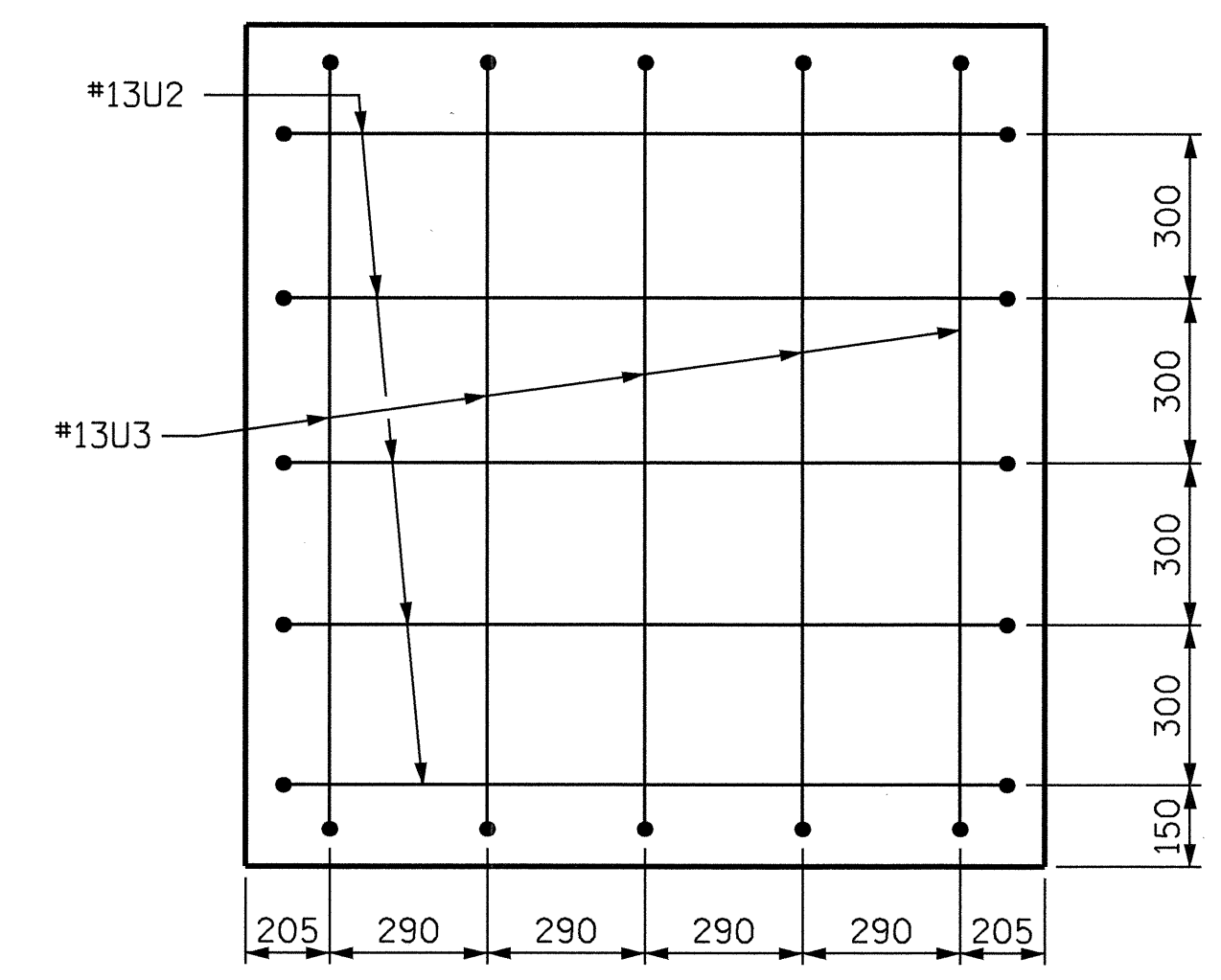
STIRRUPS IN CAP MAY BE SHIFTED AS NECESSARY TO CLEAR ANCHOR BOLTS.

HOOKS ON "V" BARS MAY BE TURNED AS NECESSARY FOR PLACING REINFORCING STEEL.

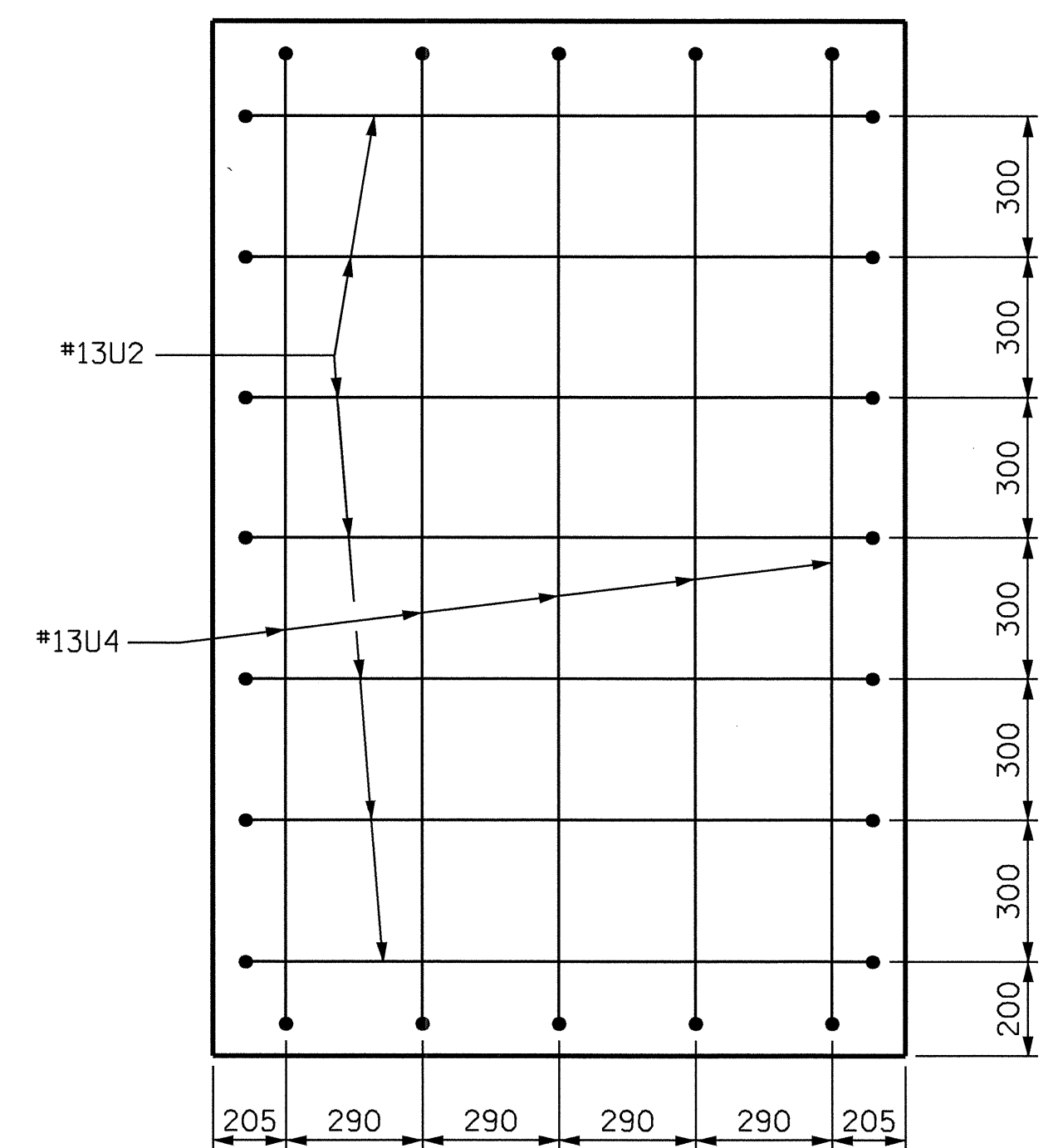
ALL STEEL IN THE DRILLED PIERS IS INCLUDED IN THE PAY ITEMS FOR REINFORCING STEEL AND SPIRAL COLUMN REINFORCING STEEL.

THE CONTRACTOR'S ATTENTION IS CALLED TO THE FACT THAT THE LONGITUDINAL REINFORCEMENT FOR DRILLED PIERS IS DETAILED WITH ONE METER OF EXTRA LENGTH.

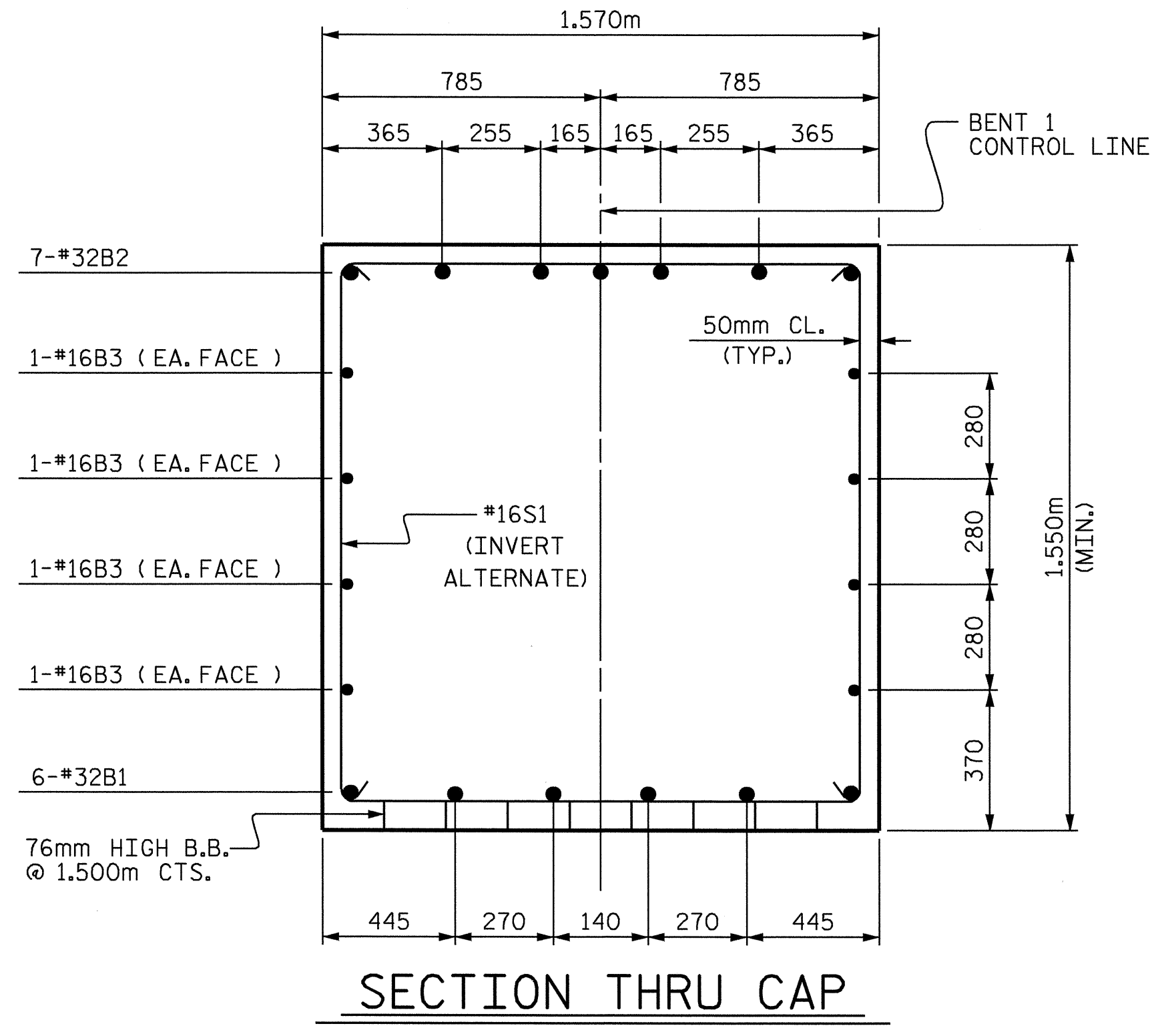
THE LOCATION OF THE CONSTRUCTION JOINT IN THE DRILLED PIER IS BASED ON AN APPROXIMATE GROUND LINE ELEVATION. IF THE CONSTRUCTION JOINT IS ABOVE THE ACTUAL GROUND LINE ELEVATION, THE CONTRACTOR SHALL PLACE THE CONSTRUCTION JOINT 300mm BELOW THE GROUND LINE.



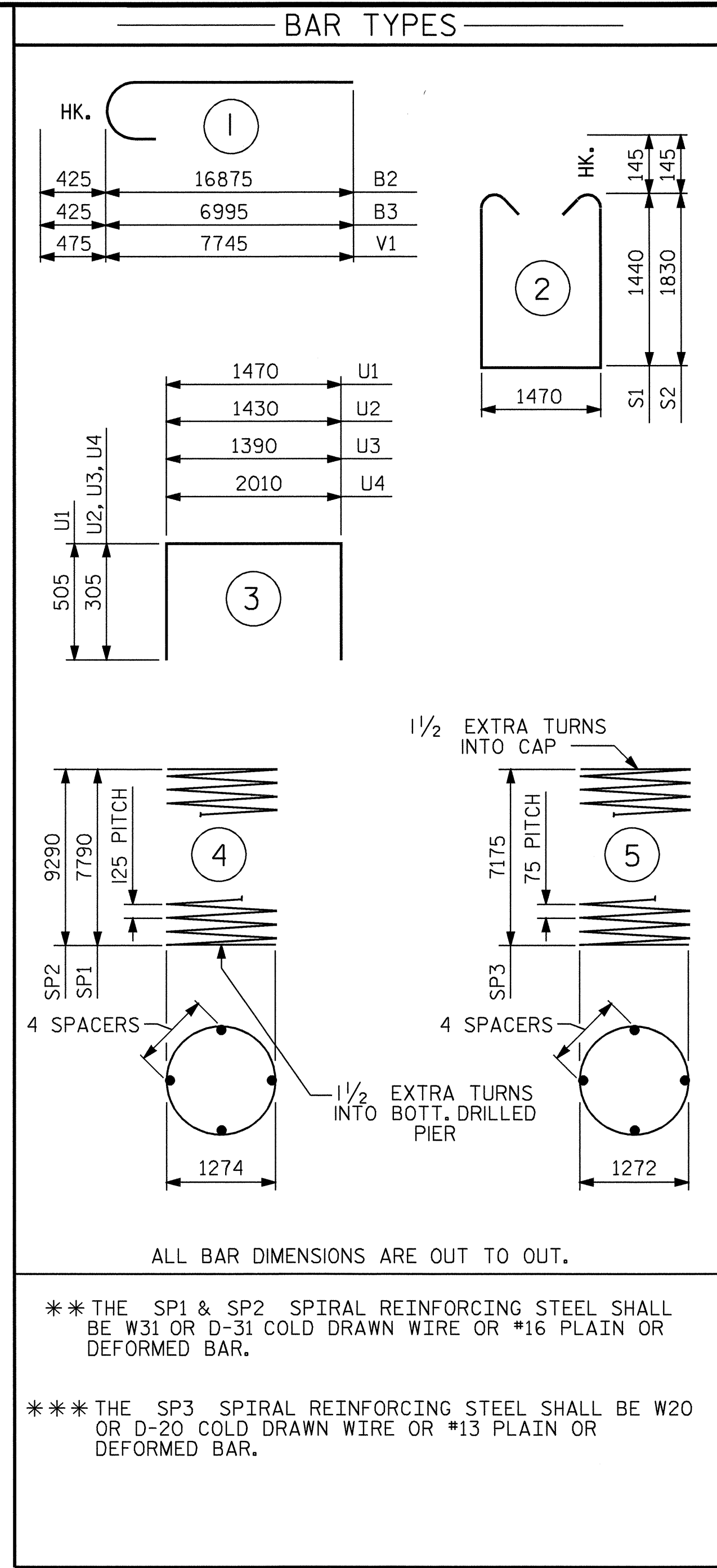
**SECTION X-X**



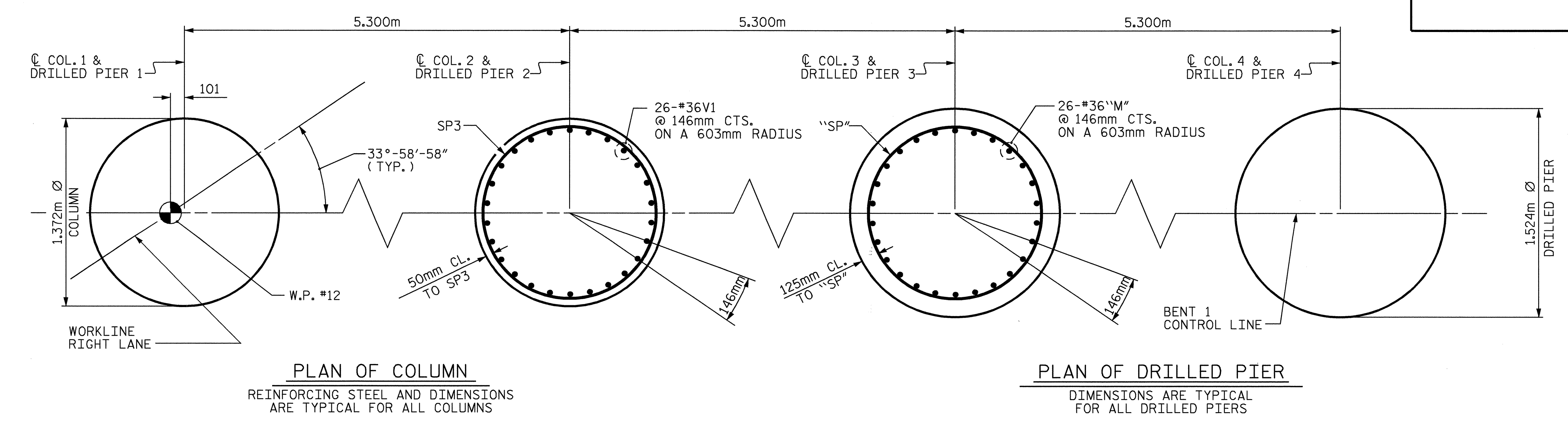
**SECTION Y-Y**



**SECTION THRU CAP**



BILL OF MATERIAL					
BENT 1					
BAR	NO.	SIZE	TYPE	LENGTH	WEIGHT
B1	12	#32	STR	10720	824
B2	7	#32	1	17300	776
B3	7	#32	1	7420	337
B4	24	#16	STR	6960	259
B5	2	#16	STR	3060	9
B6	2	#16	STR	7820	24
B7	6	#13	STR	6000	36
B8	7	#13	STR	1020	7
M1	52	#36	STR	11060	4547
M2	52	#36	STR	12560	5164
S1	33	#16	2	4640	238
S2	20	#16	2	5420	168
U1	38	#13	3	2480	94
U2	12	#13	3	2040	24
U3	5	#13	3	2000	10
U4	5	#13	3	2620	13
V1	104	#36	1	8220	6760
REINFORCING STEEL					kg 19290
SPIRAL COLUMN REINFORCING STEEL					
SP1	2	**	4	253900	788
SP2	2	**	4	301500	936
SP3	4	***	5	384820	1530
SPIRAL COLUMN REINFORCING STEEL					kg 3254
DRILLED PIER CONCRETE BREAKDOWN					
POUR #1	CU. METERS	67.5			
DRILLED PIERS					
CLASS A CONCRETE BREAKDOWN					
POUR #2	CU. METERS	38.7			
COLUMNS					
POUR #3	CU. METERS	53.1			
CAP					
CLASS A CONCRETE TOTAL					CU. METERS 91.8
1524mm Ø DRILLED PIERS IN SOIL					
					METERS 20.4
1524mm Ø DRILLED PIERS NOT IN SOIL					
					METERS 14.4
CSL TUBES					
					METERS 152.64
CROSSHOLE SONIC LOGGING					
					1 EA.



**PLAN OF COLUMN**  
REINFORCING STEEL AND DIMENSIONS ARE TYPICAL FOR ALL COLUMNS

**PLAN OF DRILLED PIER**  
DIMENSIONS ARE TYPICAL FOR ALL DRILLED PIERS

**PLAN OF COLUMNS AND DRILLED PIERS**



PROJECT NO. R-2206B  
LINCOLN COUNTY  
STATION: 123+38.105 -L-

SHEET 2 OF 2

REVISIONS					SHEET NO.
NO.	BY:	DATE:	NO.	DATE:	S-74
1			3		TOTAL SHEETS
2			4		86

DRAWN BY: H.A. LOCKLEAR DATE: 3/30/01  
CHECKED BY: M.J. OSTRISHKO DATE: 4/20/01

20-AUG-2004 16:05  
W:\squad\2206b\Final Plans\str2\2206b02b1.dgn  
klayne

STR. #2