

**NOTES**

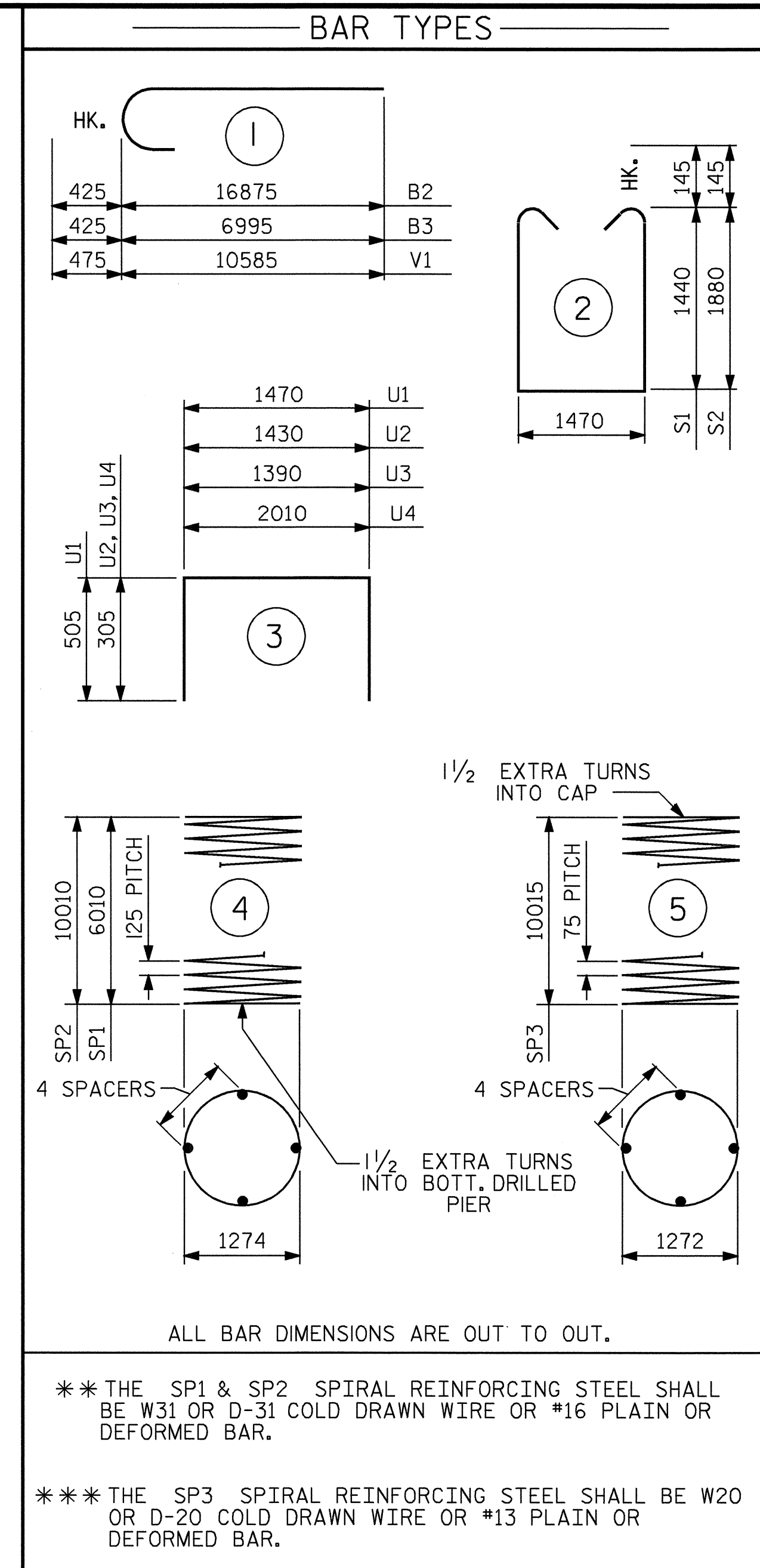
STIRRUPS IN CAP MAY BE SHIFTED AS NECESSARY TO CLEAR ANCHOR BOLTS.

HOOKS ON "V" BARS MAY BE TURNED AS NECESSARY FOR PLACING REINFORCING STEEL.

ALL STEEL IN THE DRILLED PIERS IS INCLUDED IN THE PAY ITEMS FOR REINFORCING STEEL AND SPIRAL COLUMN REINFORCING STEEL.

THE CONTRACTOR'S ATTENTION IS CALLED TO THE FACT THAT THE LONGITUDINAL REINFORCEMENT FOR DRILLED PIERS IS DETAILED WITH ONE METER OF EXTRA LENGTH.

THE LOCATION OF THE CONSTRUCTION JOINT IN THE DRILLED PIER IS BASED ON AN APPROXIMATE GROUND LINE ELEVATION. IF THE CONSTRUCTION JOINT IS ABOVE THE ACTUAL GROUND LINE ELEVATION, THE CONTRACTOR SHALL PLACE THE CONSTRUCTION JOINT 300mm BELOW THE GROUND LINE.



**BILL OF MATERIAL**

**BENT 3**

BAR NO.	NO.	SIZE	TYPE	LENGTH	WEIGHT
B1	12	#32	STR	10720	824
B2	7	#32	1	17300	776
B3	7	#32	1	7420	337
B4	24	#16	STR	6960	259
B5	2	#16	STR	3060	9
B6	2	#16	STR	7820	24
B7	6	#13	STR	6000	36
B8	7	#13	STR	1020	7
M1	52	#36	STR	9280	3816
M2	52	#36	STR	13280	5460
S1	33	#16	2	4640	238
S2	20	#16	2	5520	171
U1	38	#13	3	2480	94
U2	12	#13	3	2040	24
U3	5	#13	3	2000	10
U4	5	#13	3	2620	13
V1	104	#36	1	11060	9095

REINFORCING STEEL kg 21193

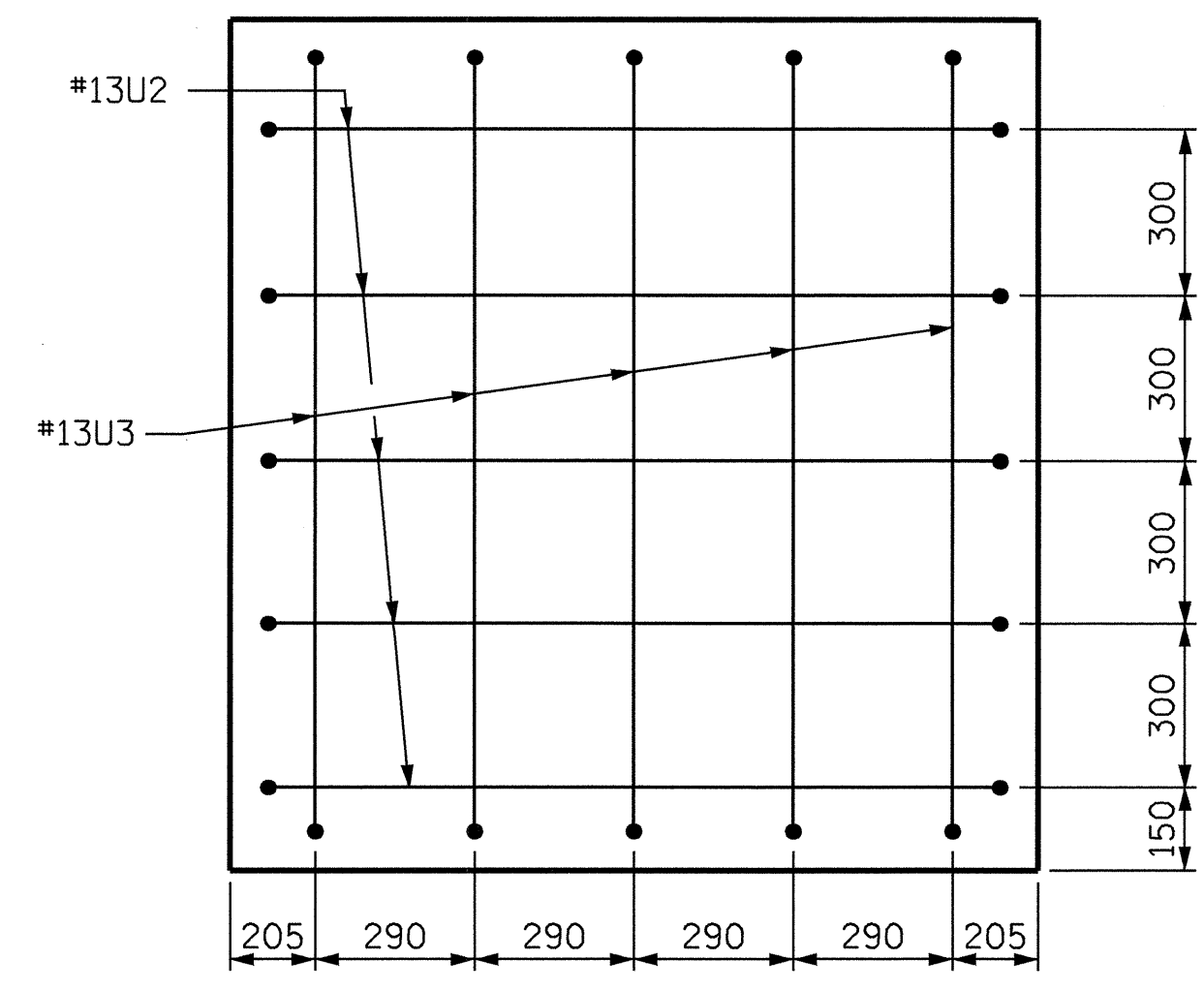
**SPIRAL COLUMN REINFORCING STEEL**

SP	NO.	SIZE	TYPE	LENGTH	WEIGHT
SP1	2	**	4	197380	613
SP2	2	**	4	324320	1007
SP3	4	***	5	535180	2128

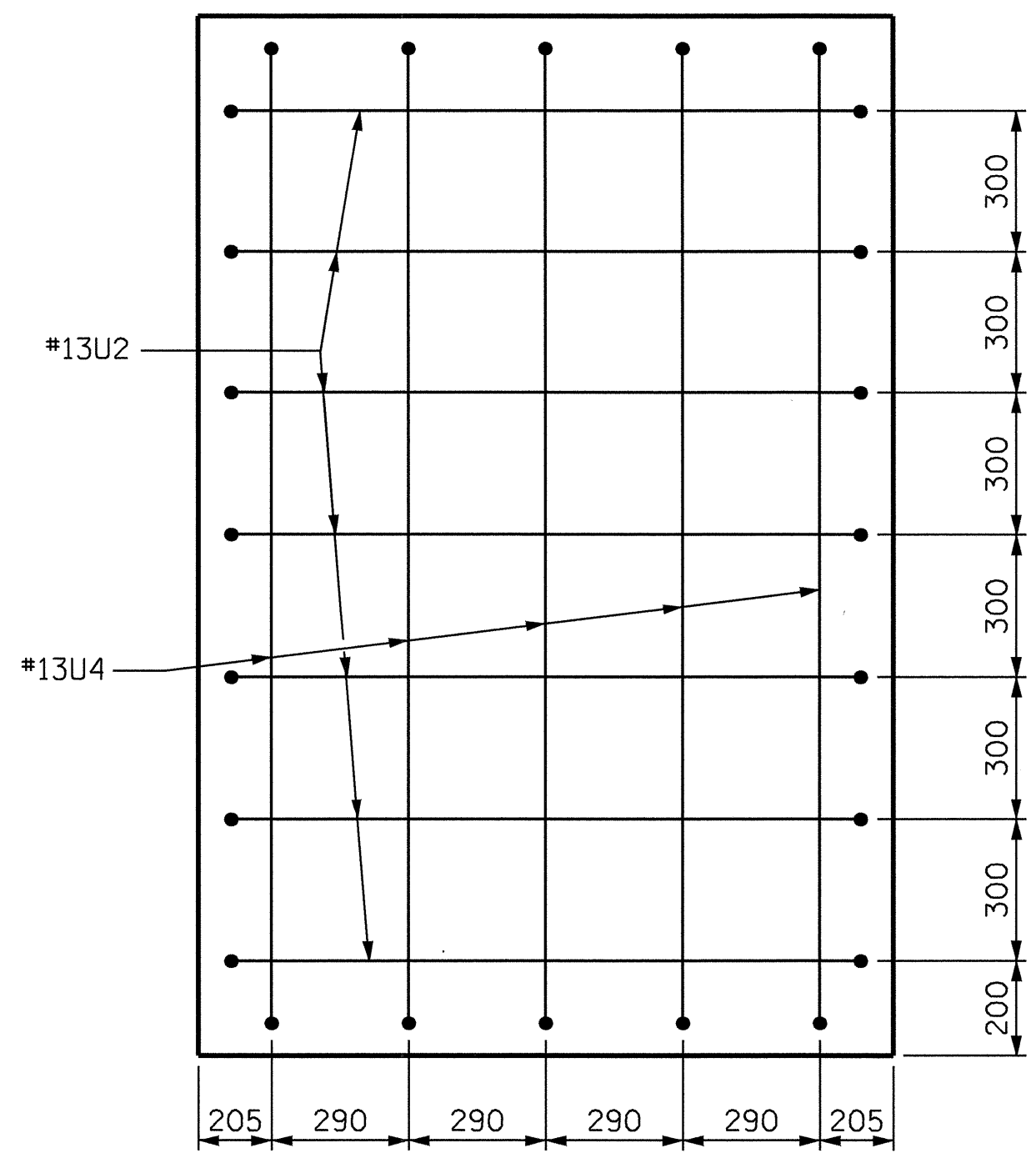
SPIRAL COLUMN REINFORCING STEEL kg 3748

**DRILLED PIER CONCRETE BREAKDOWN**

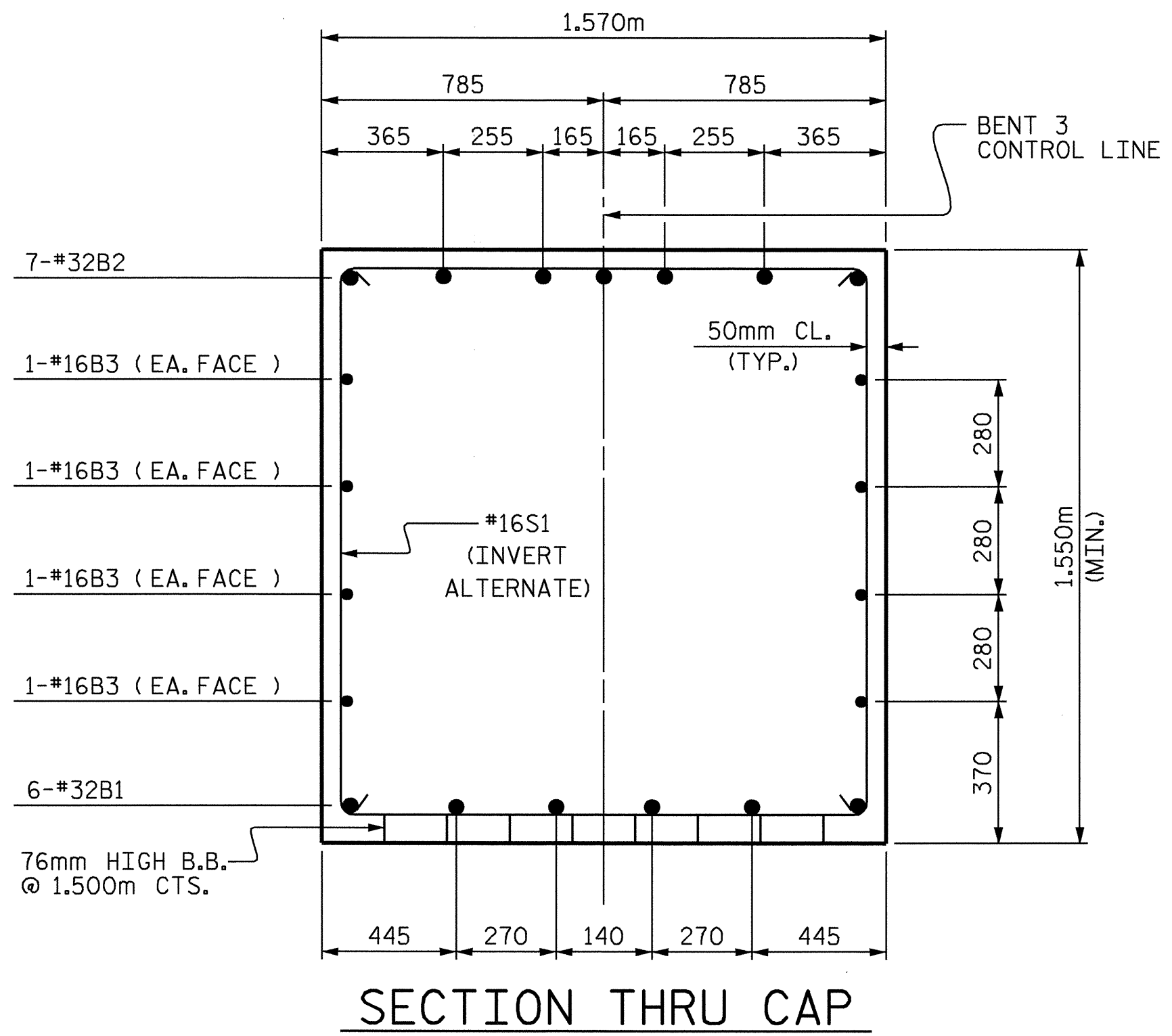
POUR #	CU. METERS	WEIGHT
POUR #1 DRILLED PIERS	59.5	
CLASS A CONCRETE BREAKDOWN		
POUR #2 COLUMNS	58.8	
POUR #3 CAP	53.8	
CLASS A CONCRETE TOTAL	112.6	
1524mm Ø DRILLED PIERS IN SOIL	16.6	
1524mm Ø DRILLED PIERS NOT IN SOIL	16.0	
1524mm PERMANENT STEEL CASING	20.9	
CSL TUBES	144.16	
CROSSHOLE SONIC LOGGING	1 EA.	
SID INSPECTION	4 EA.	



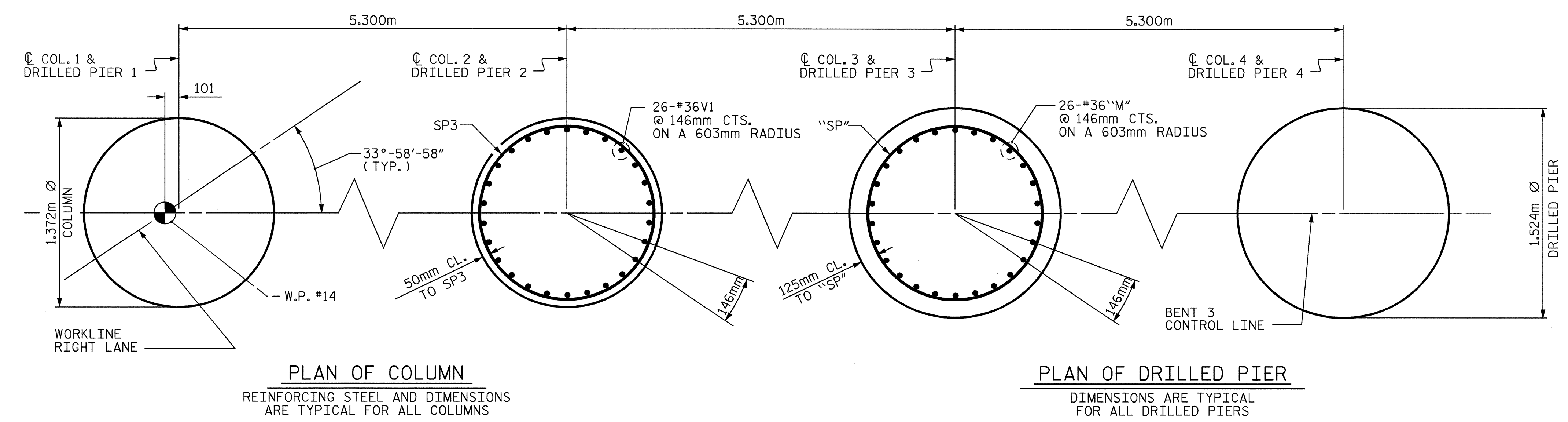
**SECTION X-X**



**SECTION Y-Y**



**SECTION THRU CAP**



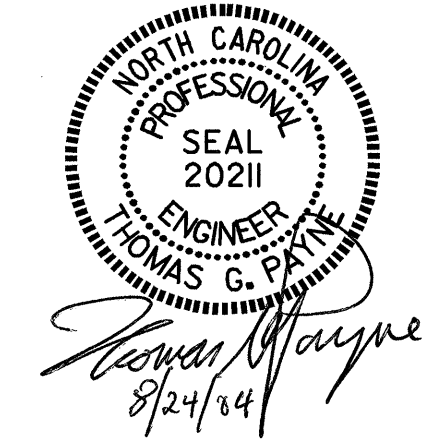
**PLAN OF COLUMN**

**PLAN OF DRILLED PIER**

**PLAN OF COLUMNS AND DRILLED PIERS**

DRAWN BY : H.A. LOCKLEAR DATE : 3/30/01  
 CHECKED BY : M.J. OSTRISHKO DATE : 4/20/01

20-AUG-2004 16:08  
 W:\squad1\2206b\Final Plans\str2\2206b02b+3.dgn  
 Klayne



PROJECT NO. R-2206B  
LINCOLN COUNTY  
 STATION: 123+38.105 -L-

SHEET 2 OF 2

STATE OF NORTH CAROLINA DEPARTMENT OF TRANSPORTATION RALEIGH					
SUBSTRUCTURE BENT 3 (RIGHT LANE)					
REVISIONS					SHEET NO.
NO.	BY:	DATE:	NO.	BY:	DATE:
1			3		
2			4		
					TOTAL SHEETS <b>86</b>