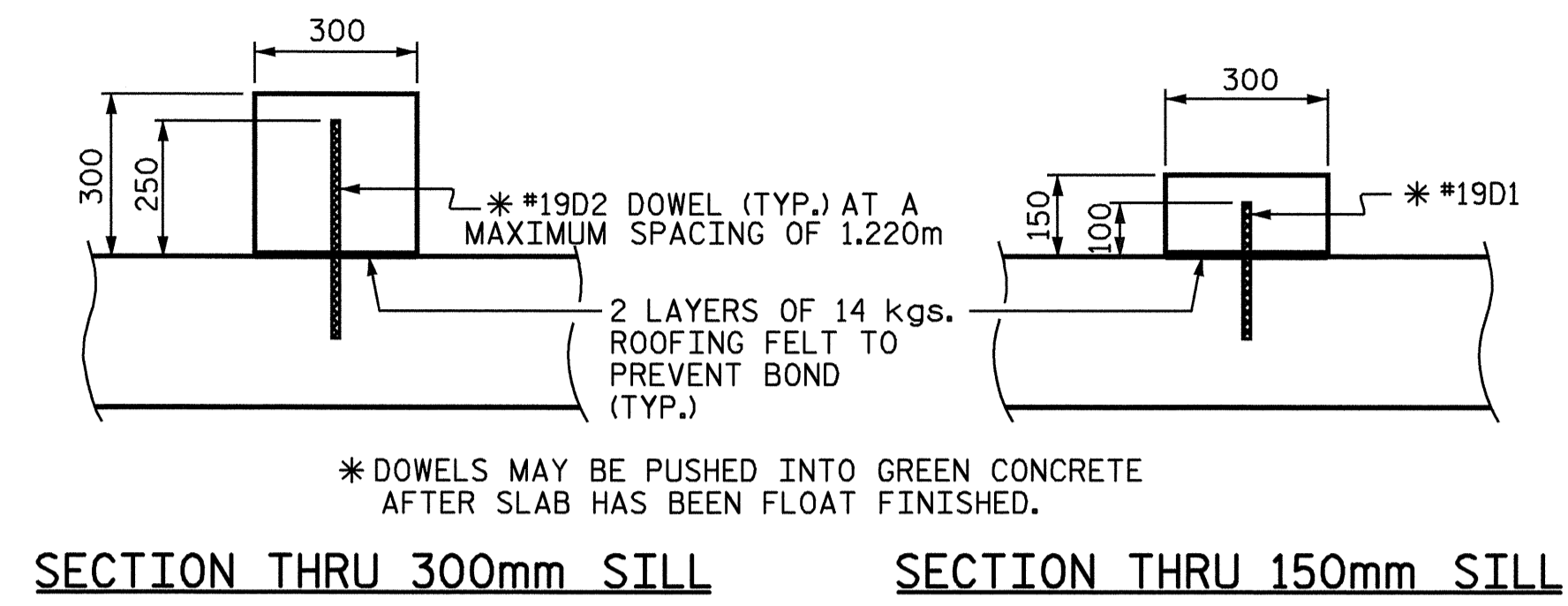
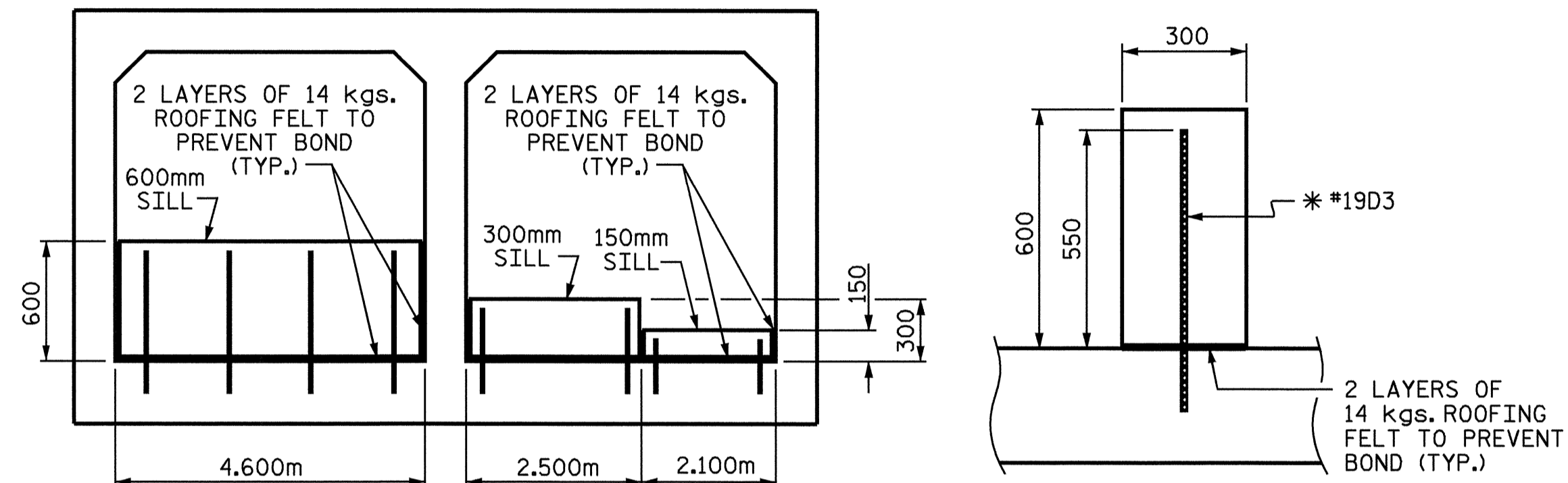


PLAN-ROOF SLAB

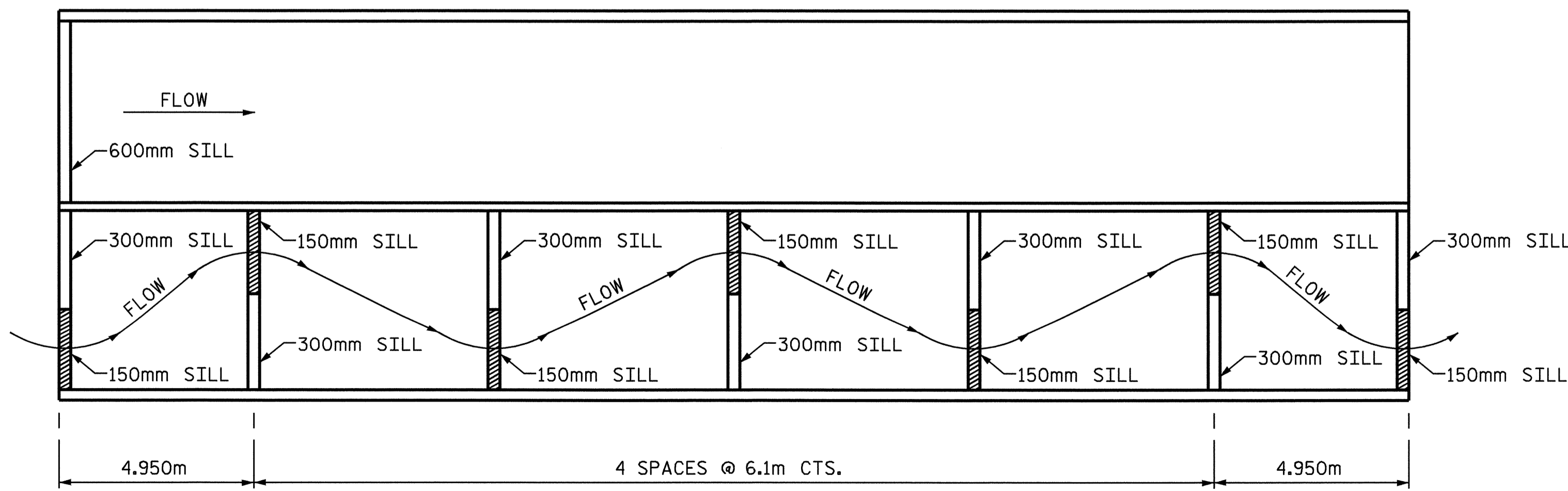


SECTION THRU 300mm SILL SECTION THRU 150mm SILL



ELEVATION CULVERT SILL DETAILS

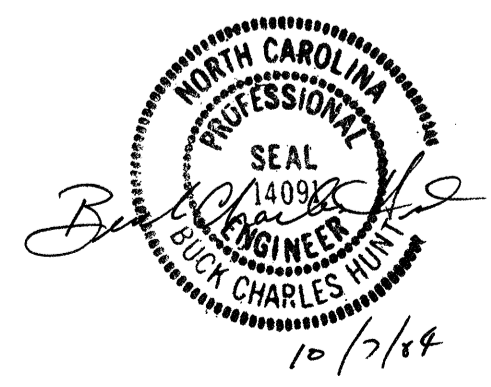
SECTION THRU 600mm SILL



PLAN OF CULVERT SHOWING LOCATION OF SILLS

PROJECT NO. R-2206B
LINCOLN COUNTY
 STATION: 18+51.500 -Y9-
 SHEET 4 OF 5

STATE OF NORTH CAROLINA
 DEPARTMENT OF TRANSPORTATION
 RALEIGH
 DOUBLE 4.6m X 3.7m
 CONCRETE BOX CULVERT
 90° SKEW



DRAWN BY : KEITH D. LAYNE DATE : 10-05-04
 CHECKED BY : B. C. HUNT DATE : 10-06-04

07-OCT-2004 08:20
 W:\squad\2206b\FINALP\str345\R2206B04.DGN
 tpayne

REVISIONS						SHEET NO.	
NO.	BY:	DATE:	NO.	BY:	DATE:	C-4	
1			3			TOTAL SHEETS	
2			4			15	

STR #3