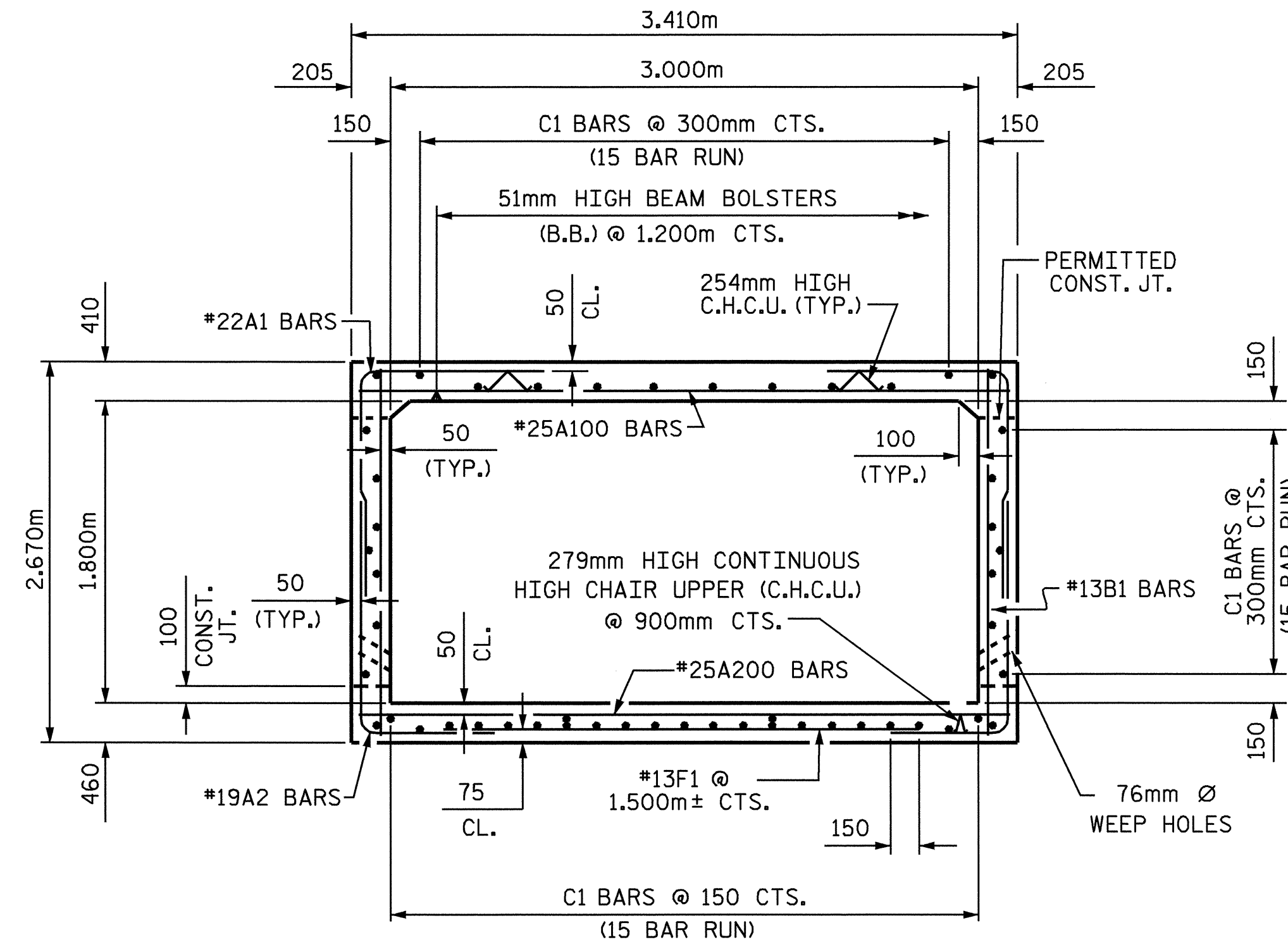
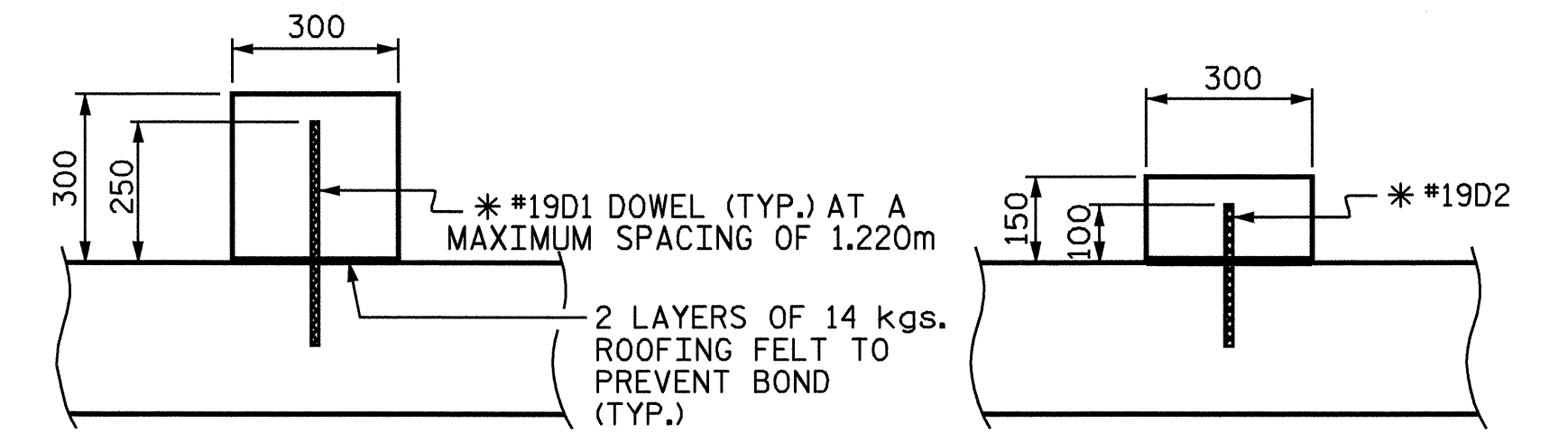


END ELEVATION NORMAL TO SKEW



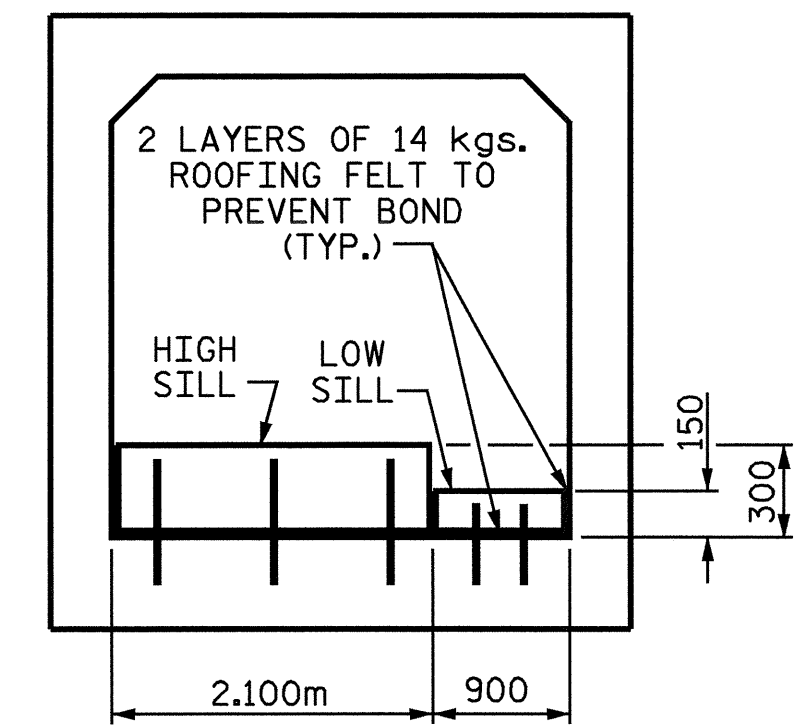
RIGHT ANGLE SECTION OF BARREL

THERE ARE 51 "C" BARS IN SECTION OF BARREL

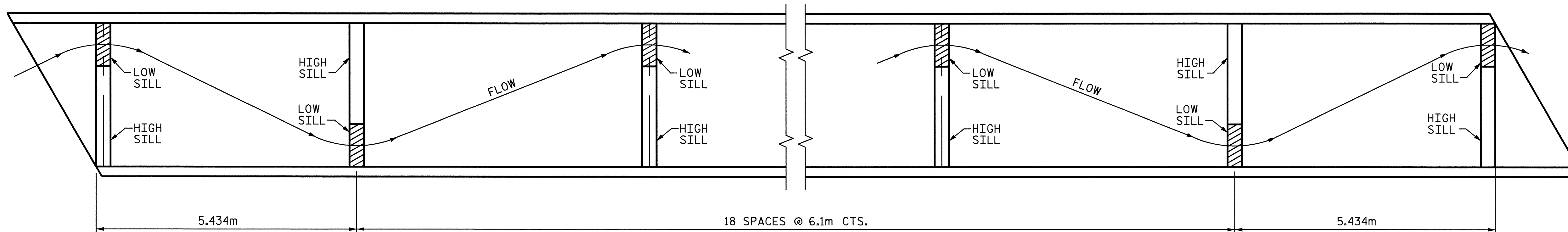


SECTION THROUGH HIGH SILL SECTION THROUGH LOW SILL

\* DOWELS MAY BE PUSHED INTO GREEN CONCRETE AFTER SLAB HAS BEEN FLOAT FINISHED.



ELEVATION CULVERT SILL DETAILS



PLAN OF CULVERT SHOWING LOCATION OF SILLS

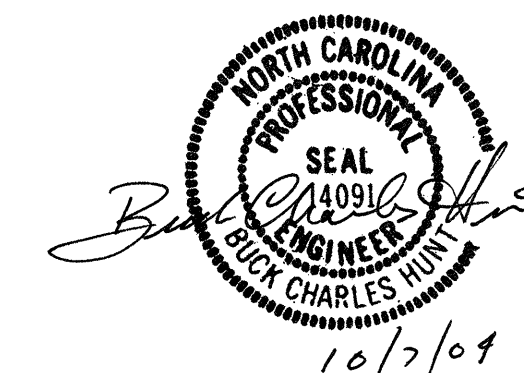
PLACE BED MATERIAL TO TOP OF RELATIVE BAFFLE ELEVATIONS.

PROJECT NO. R-2206B  
 LINCOLN COUNTY  
 STATION 132+58.000 -L-

SHEET 2 OF 4

STATE OF NORTH CAROLINA  
 DEPARTMENT OF TRANSPORTATION  
 RALEIGH

SINGLE 3.0m x 1.8m  
 CONCRETE BOX CULVERT  
 120° SKEW



ASSEMBLED BY : KEITH D. LAYNE DATE : 10-04-04  
 CHECKED BY : B.C. HUNT DATE : 10-05-04

DRAWN BY : EEM 6/97  
 CHECKED BY : ARB 7/97

REVISIONS						SHEET NO.	
NO.	BY:	DATE:	NO.	BY:	DATE:	C-7	
1			3			TOTAL SHEETS 15	
2			4				