

U:\AUG-2004\1540\standards\review\stand\838d09s1.dgn  
 10/1/04 10:52:35 AM

STATE OF  
 NORTH CAROLINA  
 DEPT. OF TRANSPORTATION  
 DIVISION OF HIGHWAYS  
 RALEIGH, N.C.

METRIC DETAIL DRAWING FOR  
**CONCRETE ENDWALL FOR TAPERED INLET**

SHEET 2 OF 2  
**838D09**

STATE OF  
 NORTH CAROLINA  
 DEPT. OF TRANSPORTATION  
 DIVISION OF HIGHWAYS  
 RALEIGH, N.C.

METRIC DETAIL DRAWING FOR  
**CONCRETE ENDWALL FOR TAPERED INLET**

SHEET 2 OF 2  
**838D09**

**GENERAL NOTES:**

- CHAMFER ALL CORNERS 25mm. USE CLASS "B" CONCRETE.
- PLACE 2 #19 "Y" BARS IN THE TOP OF ALL ENDWALL FOR PIPE CULVERTS 1050mm AND OVER WITH A MINIMUM OF 75mm COVER AND A LENGTH OF 150mm LESS THAN ENDWALL LENGTH.
- CONSTRUCT BOTTOM SLAB WITH FORMS.
- WHEN THE CONTRACTOR ELECTS TO USE A CONSTRUCTION JOINT AT THE BOTTOM OF THE PIPE, PLACE BAR "X" DOWELS IN THE BASE AS SHOWN ON PLANS. SPACE BARS APPROXIMATELY ON 300mm CENTERS UNLESS OTHERWISE DIRECTED BY THE ENGINEER.
- WHEN THE CONTRACTOR ELECTS TO USE A CONSTRUCTION JOINT AT THE BOTTOM OF THE PIPE AND POUR THE BASE SEPARATELY LEAVE THE POUR ROUGH.
- DO NOT INTERPRET WALL THICKNESS (T) SHOWN FOR THE THICKNESS ACCEPTABLE, BUT IS USED IN COMPUTING ENDWALL QUANTITIES.

Note:  
 This drawing is dimensioned in millimeters unless otherwise depicted within the drawing.

STATE OF  
 NORTH CAROLINA  
 DEPT. OF TRANSPORTATION  
 DIVISION OF HIGHWAYS  
 RALEIGH, N.C.

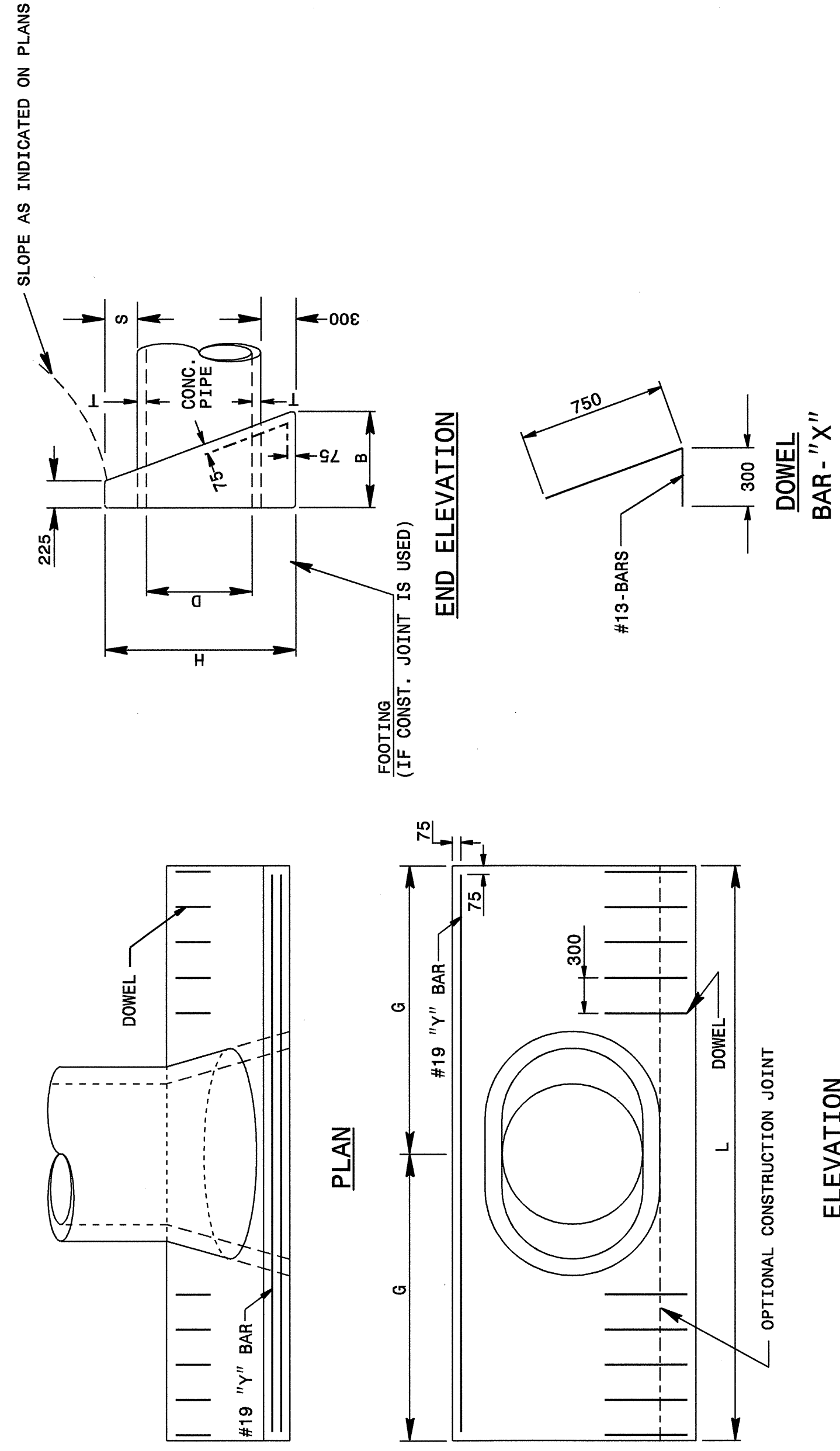
METRIC DETAIL DRAWING FOR  
**CONCRETE ENDWALL FOR TAPERED INLET**

SHEET 1 OF 2  
**838D09**

STATE OF  
 NORTH CAROLINA  
 DEPT. OF TRANSPORTATION  
 DIVISION OF HIGHWAYS  
 RALEIGH, N.C.

METRIC DETAIL DRAWING FOR  
**CONCRETE ENDWALL FOR TAPERED INLET**

SHEET 1 OF 2  
**838D09**



DOWELS IN ENDWALL WITH REINFORCED CONCRETE PIPE

PIPE DIA.	600x1200	750x1350	900x1500	1050x1650	1200x1830	1350x1950	1500x2100	1650x2250
BARS "X"	4	4	4	4	5	5	6	7
QTY.	3	4	4	4	5	5	6	7
TOTAL kg.	6	8	8	8	13	13	15	17

DIMENSIONS AND CONCRETE QUANTITIES

CONCRETE PIPE DIA.	COMMON DIMENSIONS										
	D	H	B	L	G	T	S	T	S	T	S
600x1200	1350	650	2900	1450	75	288	2.3				
750x1350	1525	750	3400	1700	88	288	3.5				
900x1500	1700	850	3900	2200	100	288	4.9				
1050x1650	1900	950	4400	2200	131	288	6.7				
1200x1830	2075	1050	4900	2450	144	288	9.2				
1350x1950	2250	1150	5400	2700	156	288	11.5				
1500x2100	2425	1250	5900	2950	168	288	14.5				
1650x2250	2600	1350	6400	3200	181	288	17.9				

Note:  
 This drawing is dimensioned in millimeters unless otherwise depicted within the drawing.

DESIGN SERVICES UNIT  
 STANDARDS AND SPECIAL DESIGN  
 Office 919-250-4128 FAX 919-250-4119

**SEE PLATE FOR TITLE**

ORIGINAL BY: L. ROBINSON DATE: 8-96  
 MODIFIED BY: JSP/11 DATE: 8-10-03  
 CHECKED BY: J.S.H. DATE: 8/12/04  
 FILE SPEC.: w:\details\stand\838d09s1.dgn

