

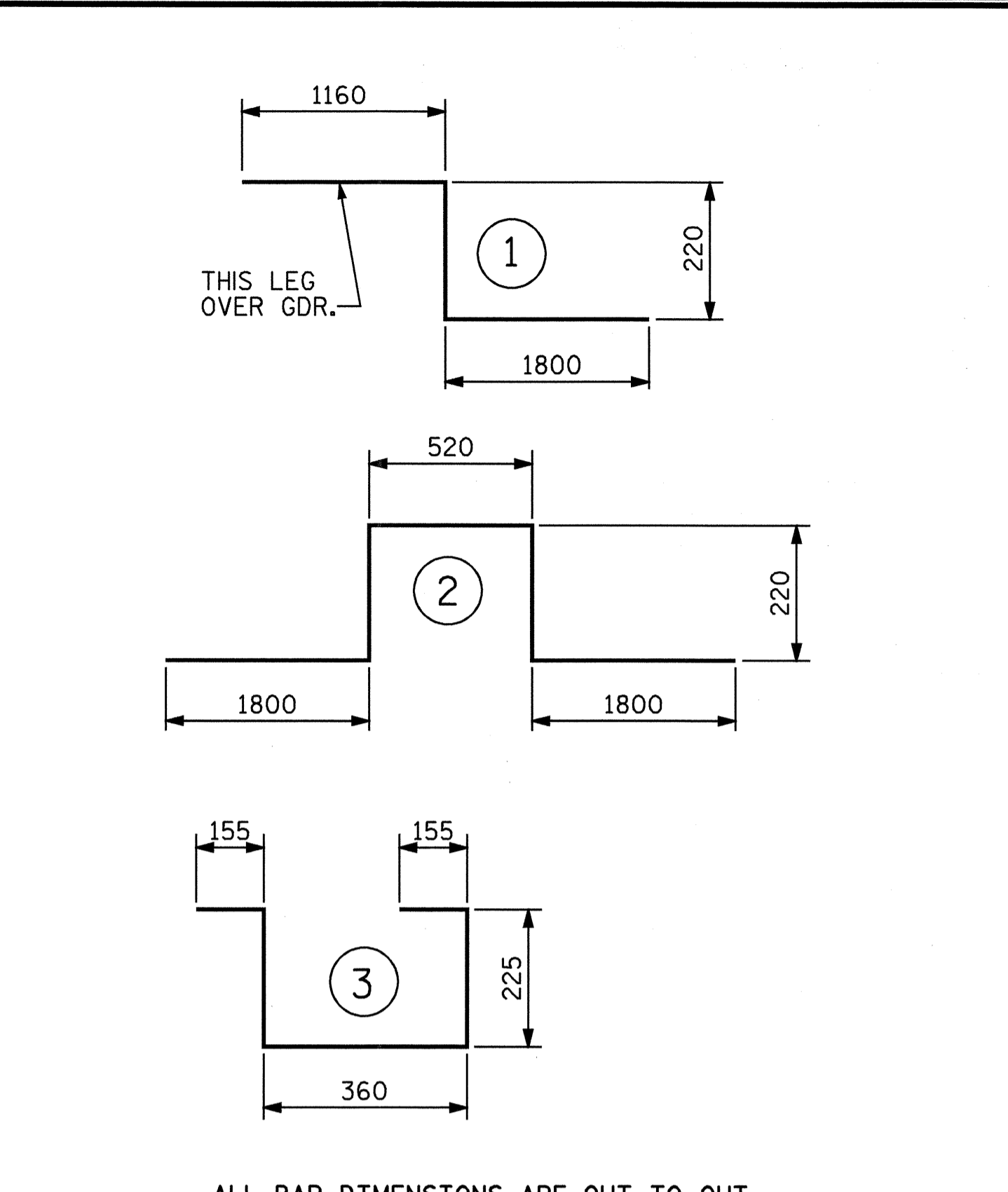
**SUPERSTRUCTURE REINFORCING STEEL LENGTHS ARE BASED ON THE FOLLOWING MINIMUM SPLICE LENGTHS**

BAR SIZE	SUPERSTRUCTURE EXCEPT APPROACH SLABS, PARAPET, AND BARRIER RAIL		APPROACH SLABS		PARAPET AND BARRIER RAIL
	EPOXY COATED	UNCOATED	EPOXY COATED	UNCOATED	
#13	610	540	610	540	840
#16	770	660	770	660	1050
#19	920	790	1190	790	1330
#22	1580	1060			
#25	2080	1390			

**REINFORCING BAR SCHEDULE**

BAR	NUM	SZ	TYP	LENGTH	WEIGHT
*A1	284	16	STR	11640	5131
A2	284	16	STR	11640	5131
*A101	2	16	STR	9300	29
*A102	2	16	STR	6960	22
*A103	2	16	STR	4620	14
*A104	2	16	STR	2280	7
A201	2	16	STR	9300	29
A202	2	16	STR	6960	22
A203	2	16	STR	4620	14
A204	2	16	STR	2280	7
*B1	168	13	STR	7720	1289
B2	150	16	STR	14860	3459
*G1	2	16	STR	11660	36
*K1	8	16	1	3180	39
*K2	8	16	2	4560	57
*S1	60	13	3	1120	67
REINFORCING STEEL				KG	8662
* EPOXY COATED REINFORCING STEEL				KG	6691

**BAR TYPES**

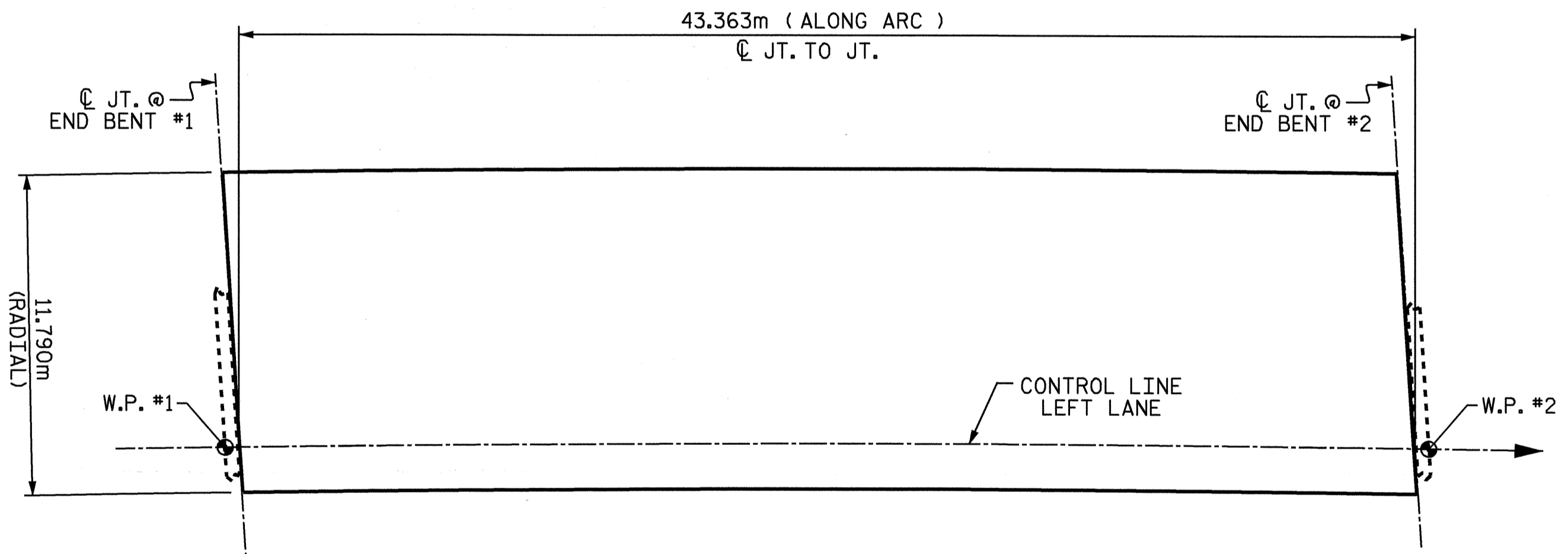


ALL BAR DIMENSIONS ARE OUT TO OUT

**SUPERSTRUCTURE BILL OF MATERIAL**

	CLASS AA CONCRETE (m <sup>3</sup> )	REINFORCING STEEL (kg)	EPOXY COATED REINFORCING STEEL (kg)
POUR #1	140.5	8662	6691
TOTALS **	140.5	8662	6691

\*\* QUANTITIES FOR BARRIER RAIL ARE NOT INCLUDED

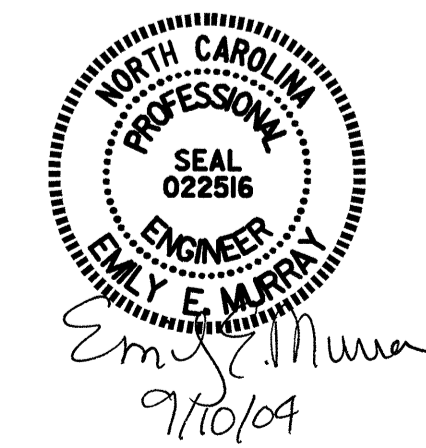


**LAYOUT FOR COMPUTING AREA OF REINFORCED CONCRETE DECK SLAB**  
(SQ. METER = 511.2)

**GROOVING BRIDGE FLOORS**

APPROACH SLABS	157.0	SQ.METER
BRIDGE DECK	427.1	SQ.METER
TOTAL	584.1	SQ.METER

PROJECT NO. R-2206C  
LINCOLN-CATAWBA COUNTY  
STATION: 237+97.199 -L-



STATE OF NORTH CAROLINA  
DEPARTMENT OF TRANSPORTATION  
RALEIGH  
  
SUPERSTRUCTURE  
BILL OF MATERIAL  
LEFT LANE

DRAWN BY : T.L. AVERETTE DATE : 04-10-02  
CHECKED BY : M.M. PARSONS DATE : 04-03-

REVISIONS					SHEET NO.
NO.	BY:	DATE:	NO.	BY:	DATE:
1			3		
2			4		

374