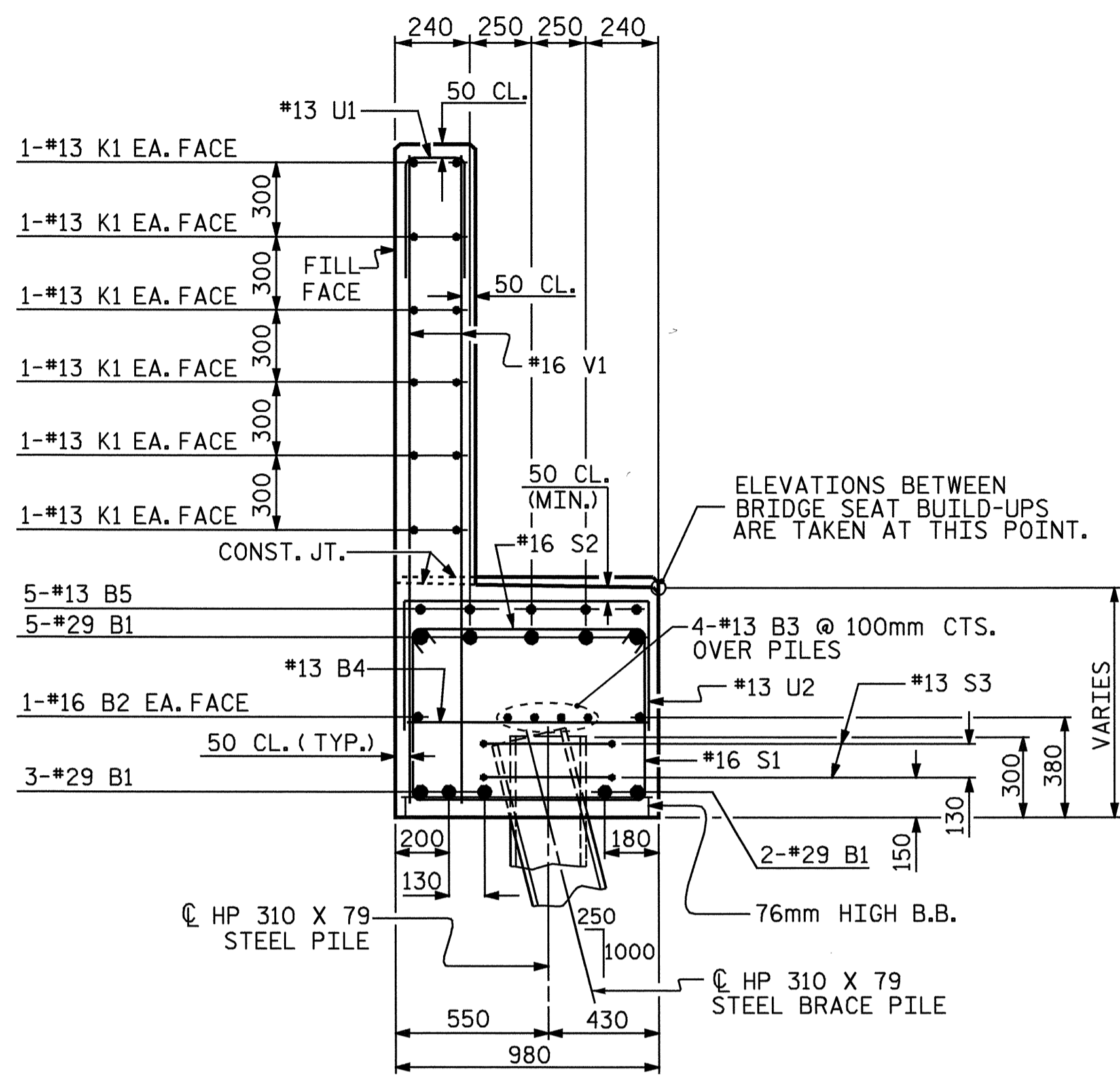
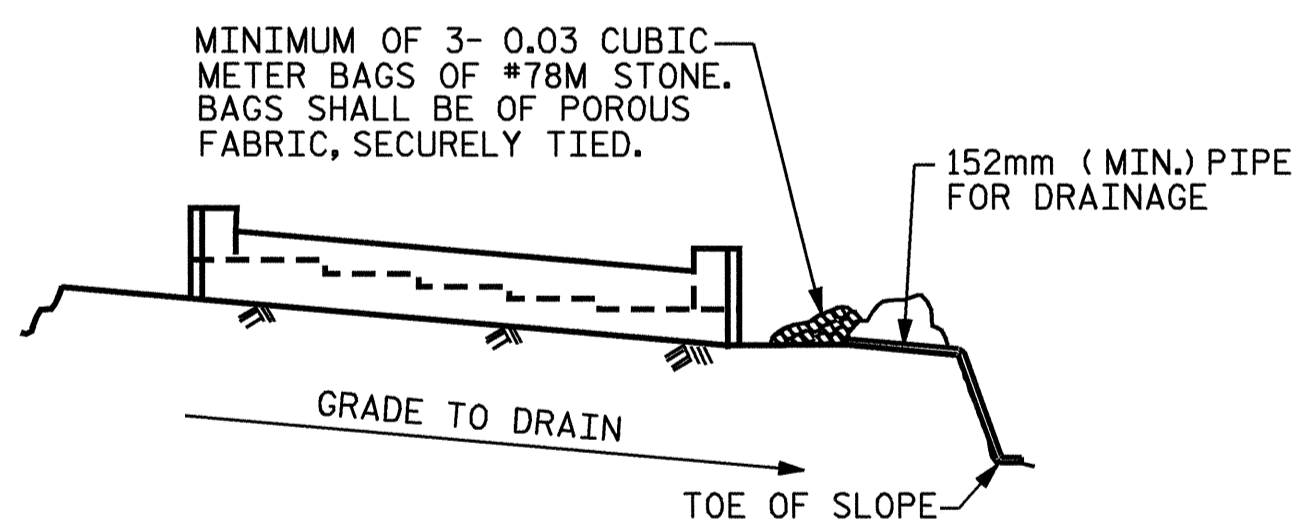


SECTION A-A



SECTION B-B



BAGGED STONE AND PIPE SHALL BE PLACED IMMEDIATELY AFTER COMPLETION OF END BENT EXCAVATION. PIPE MAY BE EITHER CONCRETE, CORRUGATED STEEL, CORRUGATED ALUMINUM ALLOY, OR CORRUGATED PLASTIC. PERFORATED PIPE WILL NOT BE ALLOWED.

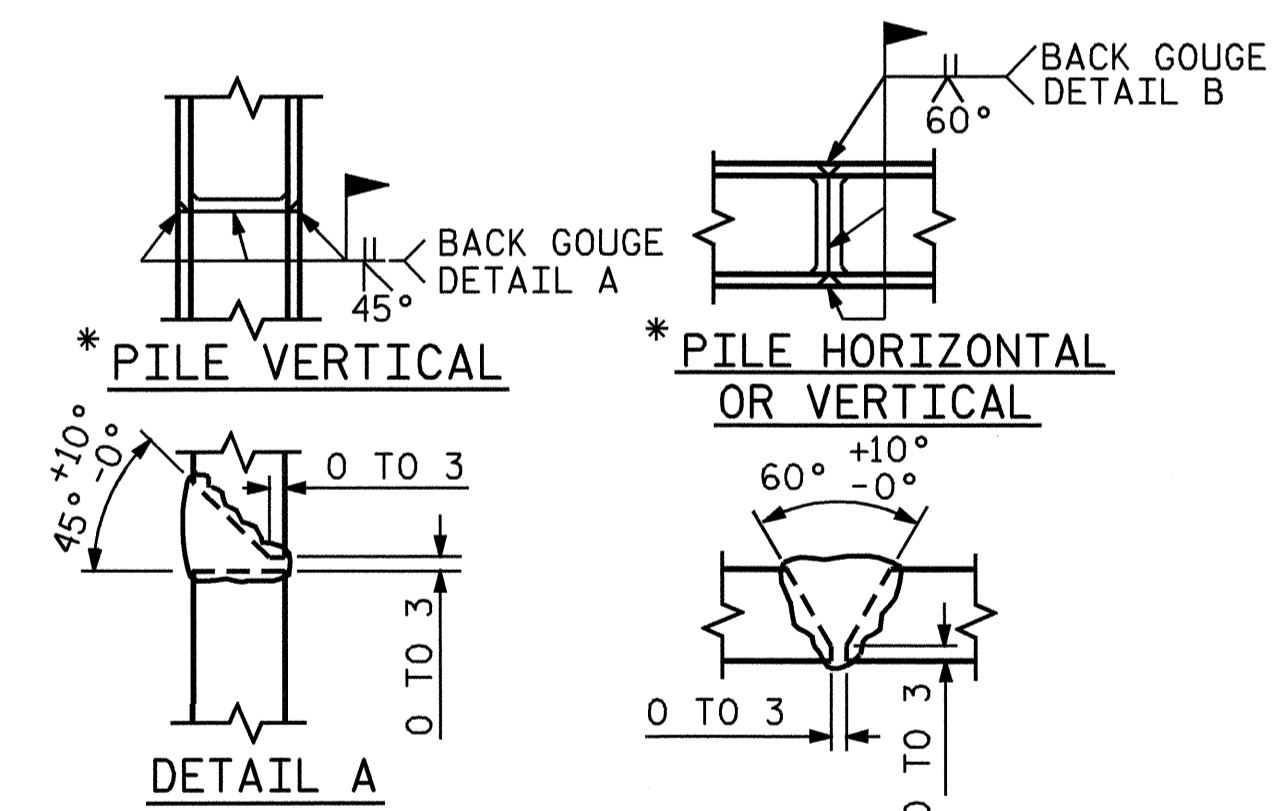
BAGGED STONE SHALL REMAIN IN PLACE UNTIL THE ENGINEER DIRECTS THAT IT BE REMOVED. THE CONTRACTOR SHALL REMOVE AND DISPOSE OF SILT ACCUMULATIONS AT BAGGED STONE WHEN SO DIRECTED BY THE ENGINEER. BAGS SHALL BE REMOVED AND REPLACED WHENEVER THE ENGINEER DETERMINES THAT THEY HAVE DETERIORATED AND LOST THEIR EFFECTIVENESS.

NO SEPARATE PAYMENT WILL BE MADE FOR THIS WORK AND THE ENTIRE COST OF THIS WORK SHALL BE INCLUDED IN THE UNIT CONTRACT PRICE BID FOR THE SEVERAL PAY ITEMS.

**TEMPORARY DRAINAGE AT END BENT**

BAR TYPES		BILL OF MATERIAL				
		END BENT #2				
BAR	NUM	SZ	TYP	LENGTH	WEIGHT	
B1	10	29	1	14380	728	
B2	2	16	STR	13680	42	
B3	8	13	STR	7220	57	
B4	12	13	STR	880	10	
B5	15	13	STR	1460	22	
B6	5	13	STR	2880	14	
H1	24	16	4	2000	74	
H2	22	16	5	2780	95	
K1	24	13	STR	7220	172	
K2	8	16	STR	840	10	
S1	57	16	2	2460	218	
S2	57	16	3	1160	103	
S3	20	13	6	1980	39	
U1	40	13	7	1120	45	
U2	19	13	7	1800	34	
V1	80	16	STR	2540	315	
V2	22	16	STR	3000	102	
V3	26	16	STR	2880	116	
REINFORCING STEEL				KG.	2,196	
CLASS A CONCRETE BREAKDOWN						
POUR #1 (CAP & LOWER WINGS)				12.5	m <sup>3</sup>	
POUR #2 (BACKWALL & UPPER WINGS)				10.5	m <sup>3</sup>	
TOTAL				23.0	m <sup>3</sup>	
HP 310 X 79 STEEL PILES						
NO. 10				METERS	160.0	

ALL BAR DIMENSIONS ARE OUT TO OUT.



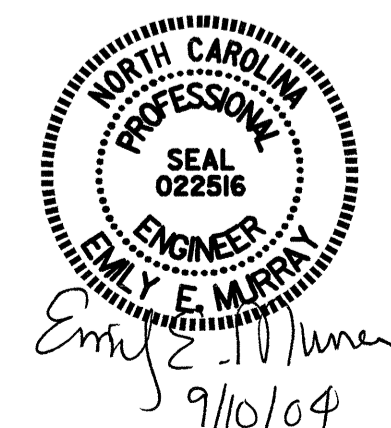
**PILE SPLICE DETAILS**

PROJECT NO. R-2206C  
LINCOLN-CATAWBA COUNTY  
 STATION: 237+97.199 -L-

SHEET 3 OF 3

REVISIONS						TOTAL SHEETS
NO.	BY:	DATE:	NO.	BY:	DATE:	374
1			3			
2			4			

SHEET NO. S-220



DRAWN BY: T.L. AVERETTE DATE: 10-03  
 CHECKED BY: W.D. CRUTCHER DATE: 02-04