

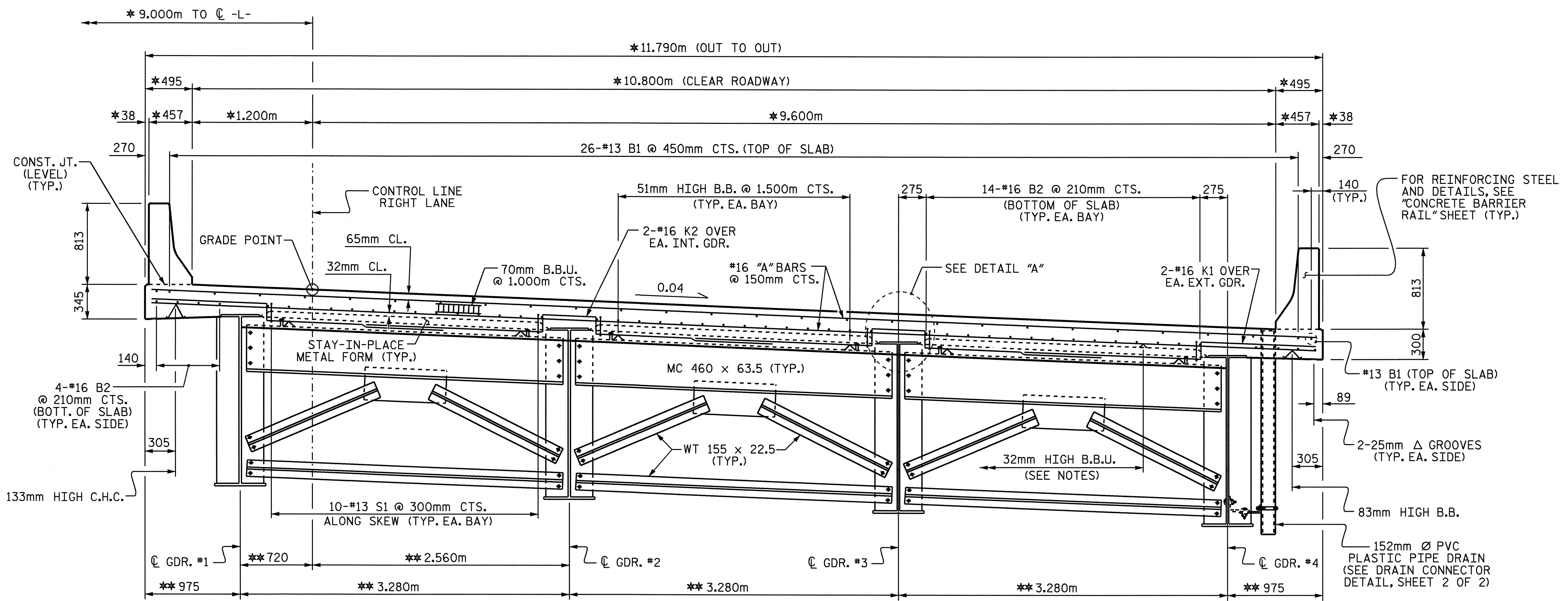
**NOTES**

PROVIDE 32mm HIGH BEAM BOLSTERS UPPER AT 1.2m CTS. ATOP THE METAL STAY-IN-PLACE FORMS TO SUPPORT THE BOTTOM MAT OF 'A' BARS. WHEN USING REMOVABLE FORMS, PROVIDE CONTINUOUS HIGH CHAIRS FOR METAL DECK (C.H.C.M.) @ 1.2m CTS. WITH A HEIGHT TO SUPPORT THE BOTTOM MAT OF 'A' BARS A CLEAR DISTANCE OF 65mm ABOVE THE TOP OF THE REMOVABLE FORM.

THE CONTRACTOR MAY, WHEN NECESSARY, PROPOSE A SCHEME FOR AVOIDING INTERFERENCE BETWEEN METAL STAY-IN-PLACE FORM SUPPORTS OR FORMS AND BEAM/GIRDER STIFFENERS OR CONNECTOR PLATES. THE PROPOSAL SHALL BE INDICATED, AS APPROPRIATE, ON EITHER THE STEEL WORKING DRAWINGS OR THE METAL STAY-IN-PLACE FORM WORKING DRAWINGS.

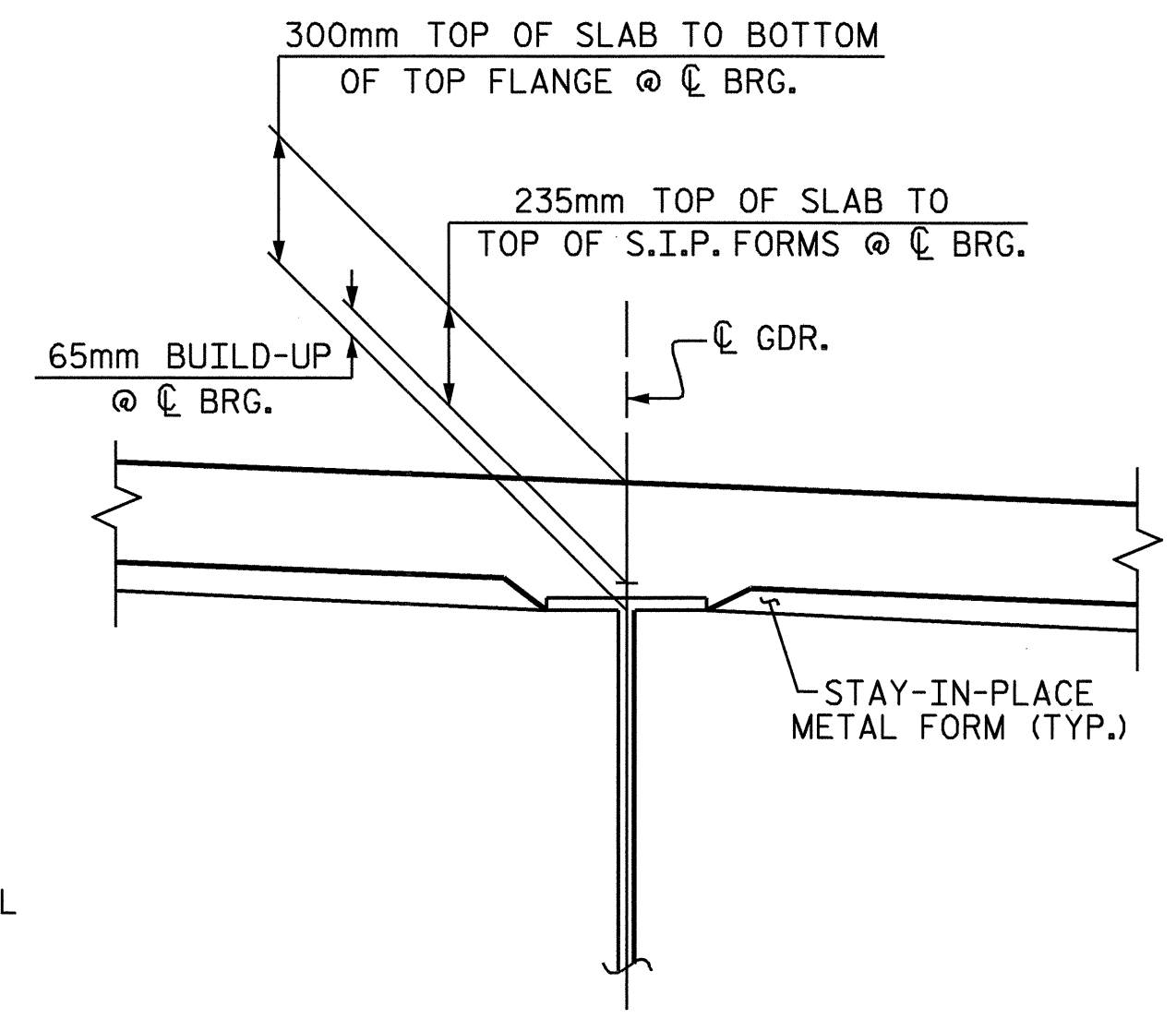
#16 G1 BAR MAY BE SHIFTED SLIGHTLY, AS NECESSARY, TO CLEAR REINFORCING STEEL.

PVC DECK DRAINS SHALL BE PAINTED WITH TWO COATS OF BROWN PRIMER MEETING THE REQUIREMENTS OF ARTICLE 1080-12 OF THE STANDARD SPECIFICATIONS. EACH COAT SHALL BE 0.05mm THICK. DECK DRAINS SHALL BE ROUGHENED PRIOR TO PAINTING. NO SEPARATE PAYMENT SHALL BE MADE FOR PAINTING PVC DECK DRAINS AS THIS IS CONSIDERED INCIDENTAL TO THE PAY ITEM FOR REINFORCED CONCRETE DECK SLAB.

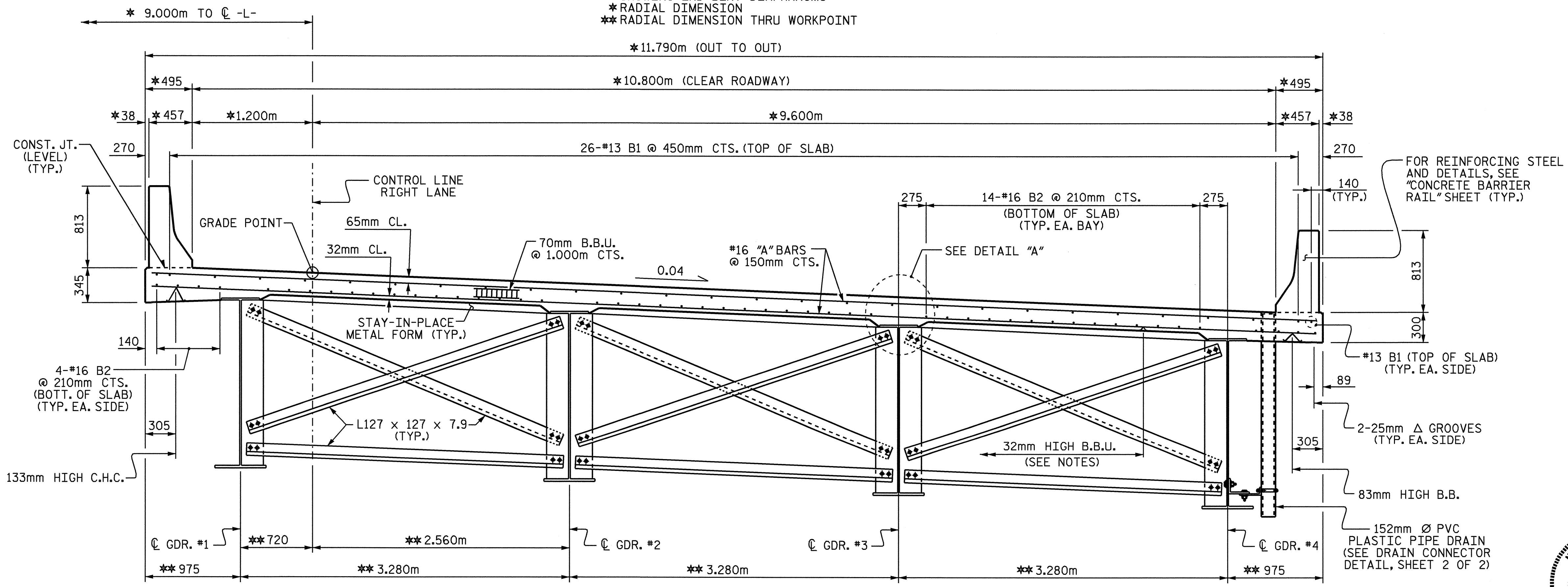


**TYPICAL SECTION**

SHOWING END BENT DIAPHRAGMS  
 \* RADIAL DIMENSION  
 \*\* RADIAL DIMENSION THRU WORKPOINT



**DETAIL "A"**



**TYPICAL SECTION**

SHOWING INTERMEDIATE DIAPHRAGMS  
 \* RADIAL DIMENSION  
 \*\* RADIAL DIMENSION THRU WORKPOINT

PROJECT NO. R-2206C  
 LINCOLN-CATAWBA COUNTY  
 STATION: 237+97.199 -L-

SHEET 1 OF 2

STATE OF NORTH CAROLINA  
 DEPARTMENT OF TRANSPORTATION  
 RALEIGH

**SUPERSTRUCTURE**  
**TYPICAL SECTION**  
**RIGHT LANE**



REVISIONS						SHEET NO.
NO.	BY:	DATE:	NO.	BY:	DATE:	3-230
1			3			TOTAL SHEETS
2			4			374

DRAWN BY : T.L. AVERETTE DATE : 4-29-02  
 CHECKED BY : M.M. PARSONS DATE : 4-03