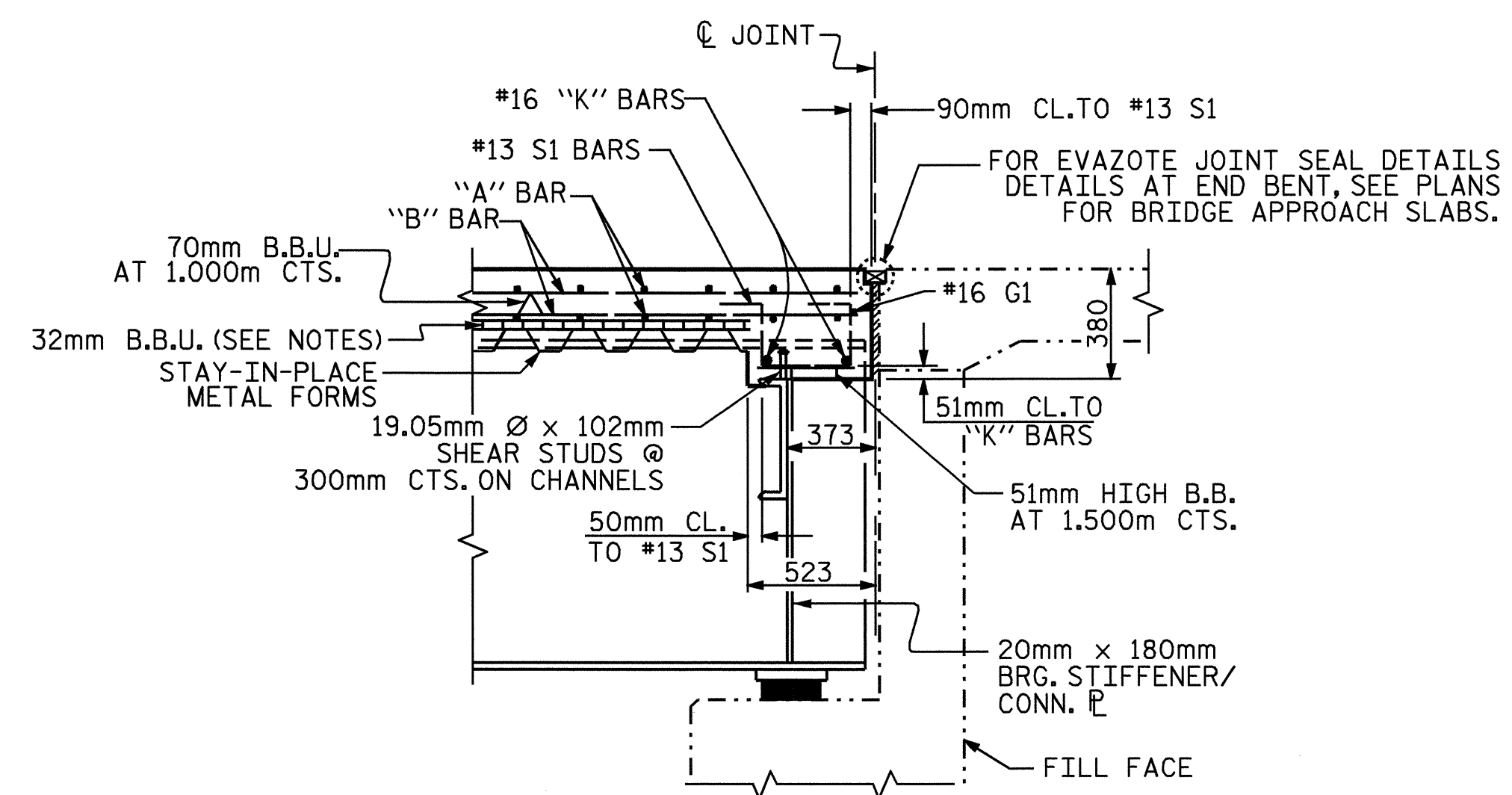
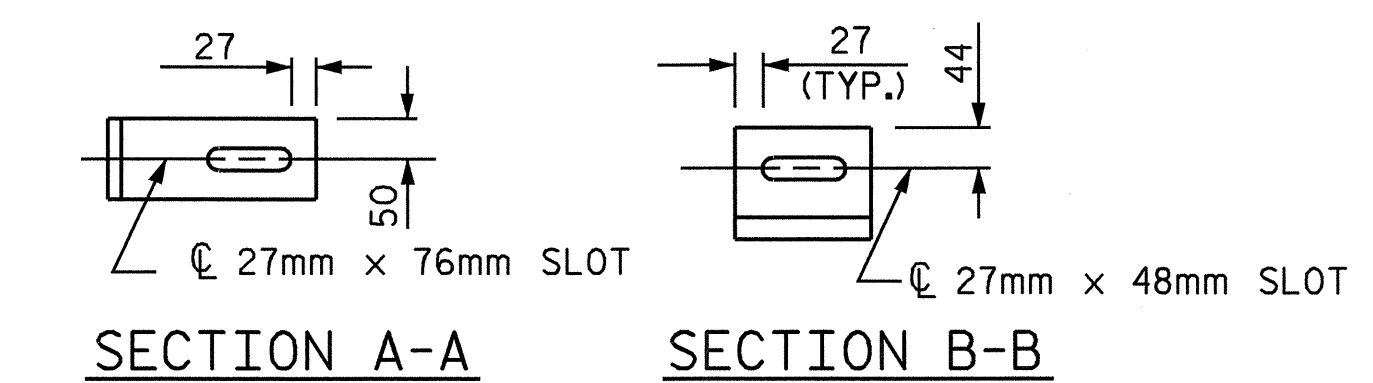
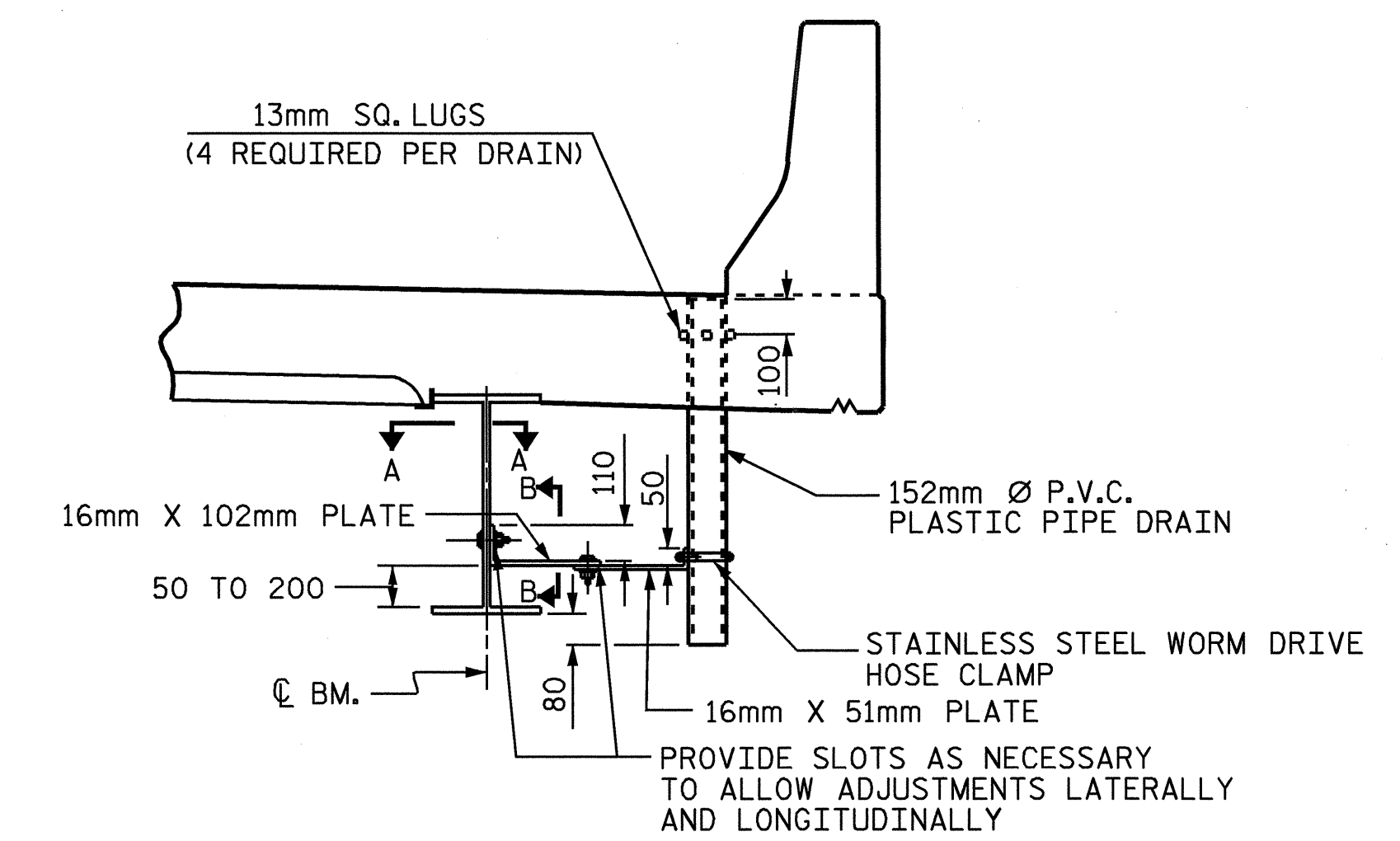


SECTION THRU END BENT #1



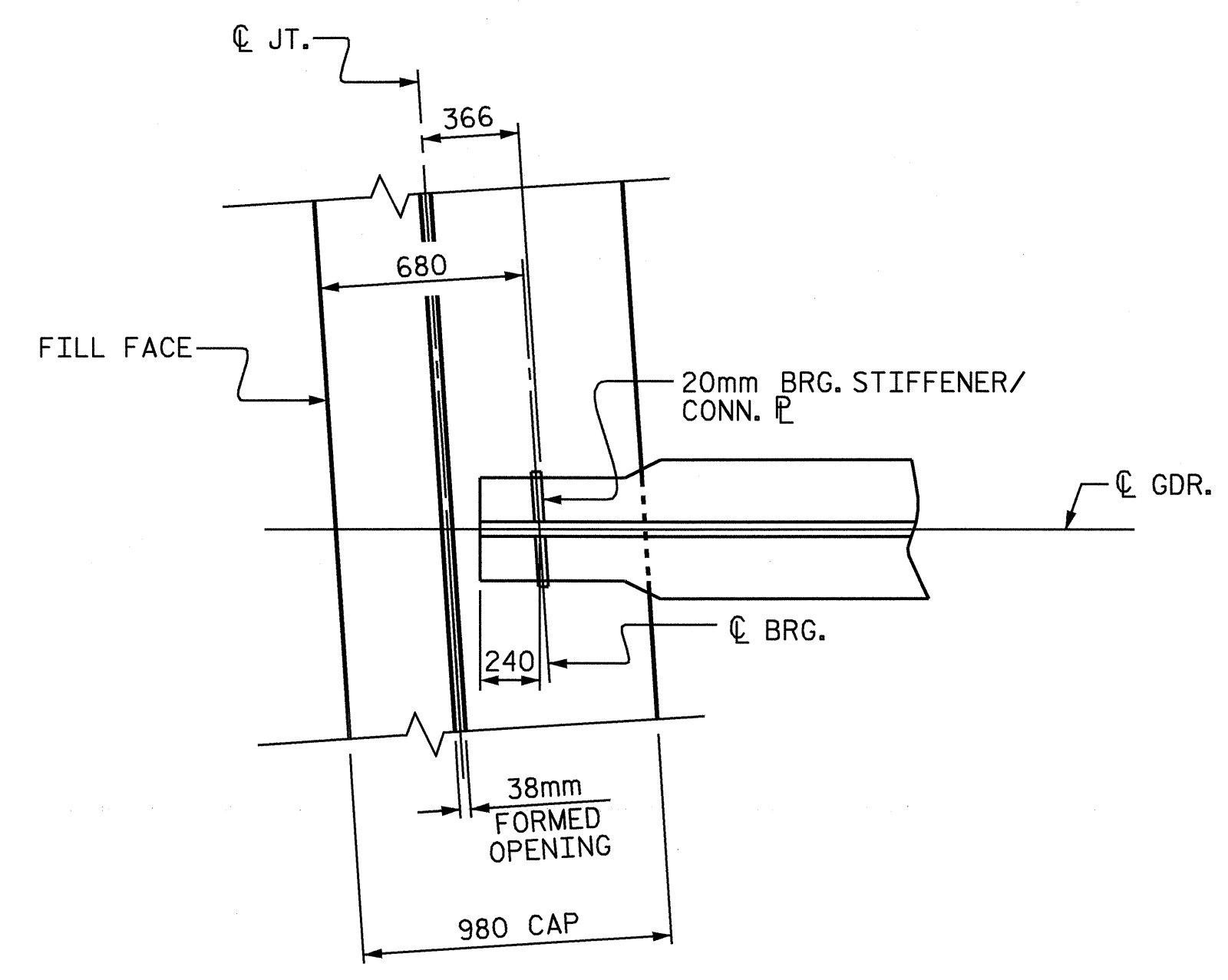
SECTION THRU END BENT #2



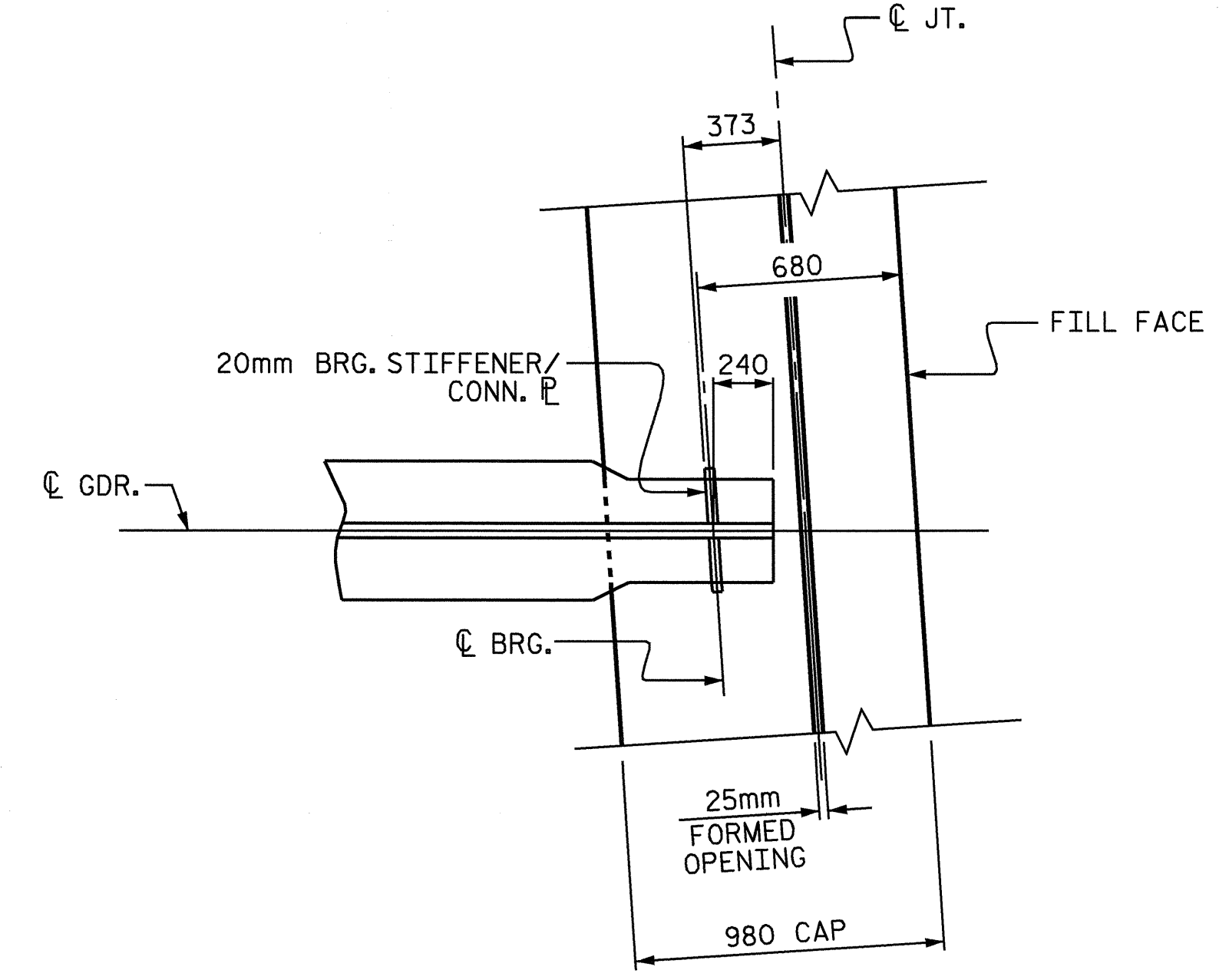
DRAIN CONNECTOR DETAIL

(4 DRAINS REQUIRED)

COUPLING IN DRAIN PIPE WILL BE PERMITTED AS APPROVED BY THE ENGINEER.
TOP OF FLOOR DRAIN TO BE SET 10mm BELOW SURFACE OF SLAB.
4 - 13mm SQUARE LUGS TO BE GLUED TO THE PVC PLASTIC PIPE AT EQUAL SPACES AROUND THE PIPE DRAIN APPROXIMATELY 100mm FROM THE TOP OF THE PIPE.
BOLT SIZE TO BE SAME AS DIAPHRAGMS AND CROSS FRAME CONNECTIONS. STAINLESS STEEL WORM DRIVE HOSE CLAMP SHALL BE COMMERCIAL QUALITY.
THE 152mm Ø PVC PLASTIC PIPE AND FITTINGS SHALL BE SCHEDULE 40 AND CONFORM TO ASTM D1785.



PLAN OF GIRDER AT END BENT #1

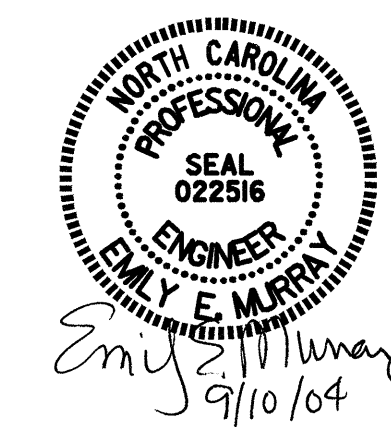


PLAN OF GIRDER AT END BENT #2

PROJECT NO. R-2206C
LINCOLN-CATAWBA COUNTY
STATION: 237+97.199 -L-

SHEET 2 OF 2

STATE OF NORTH CAROLINA
DEPARTMENT OF TRANSPORTATION
RALEIGH
SUPERSTRUCTURE
TYPICAL SECTION
DETAILS
RIGHT LANE



DRAWN BY : T.L. AVERETTE DATE : 4-29-02
CHECKED BY : M.M. PARSONS DATE : 4-03

REVISIONS					SHEET NO.
NO.	BY:	DATE:	NO.	BY:	DATE:
1			3		
2			4		

TOTAL SHEETS: 374