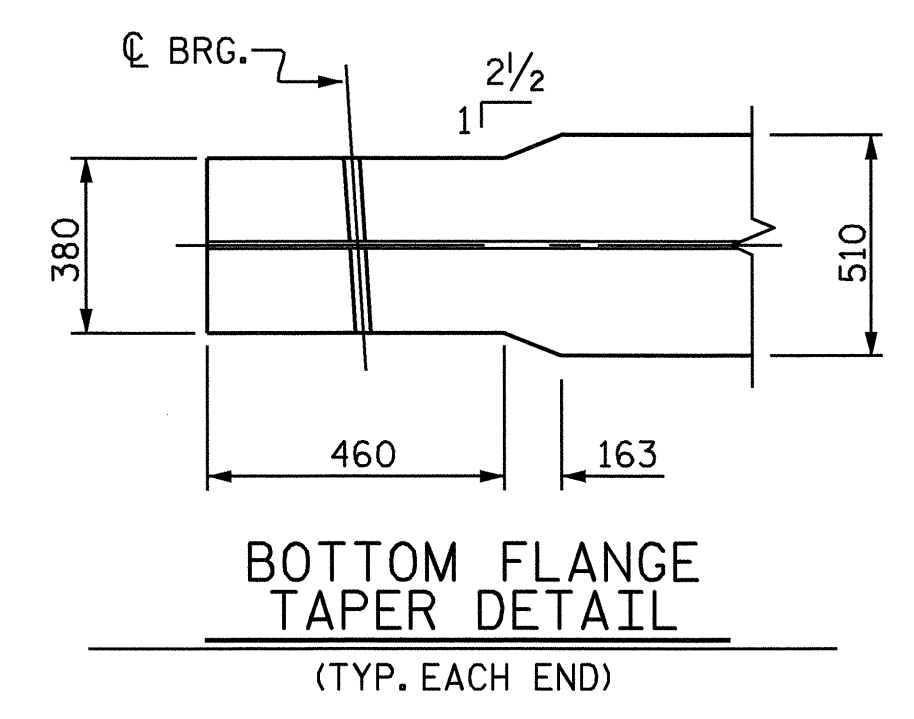


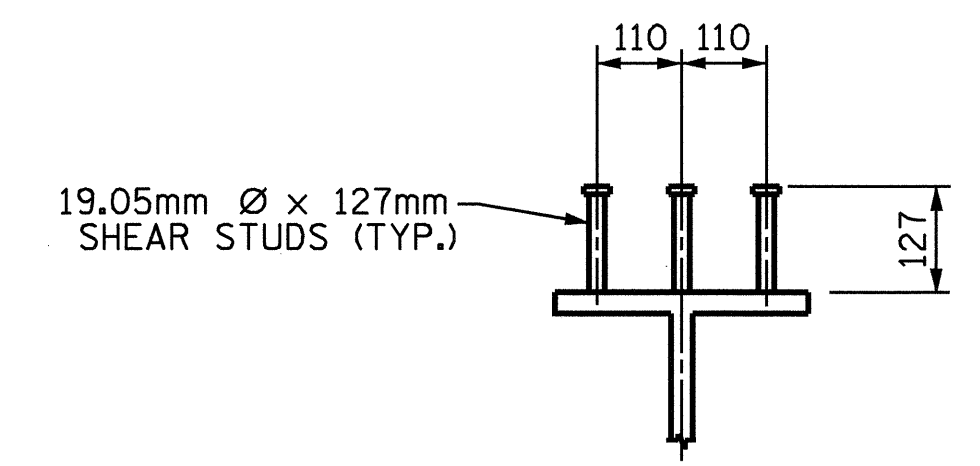
FILL FACE @
END BENT #1

SEE "BOTTOM FLANGE
TAPER DETAIL"

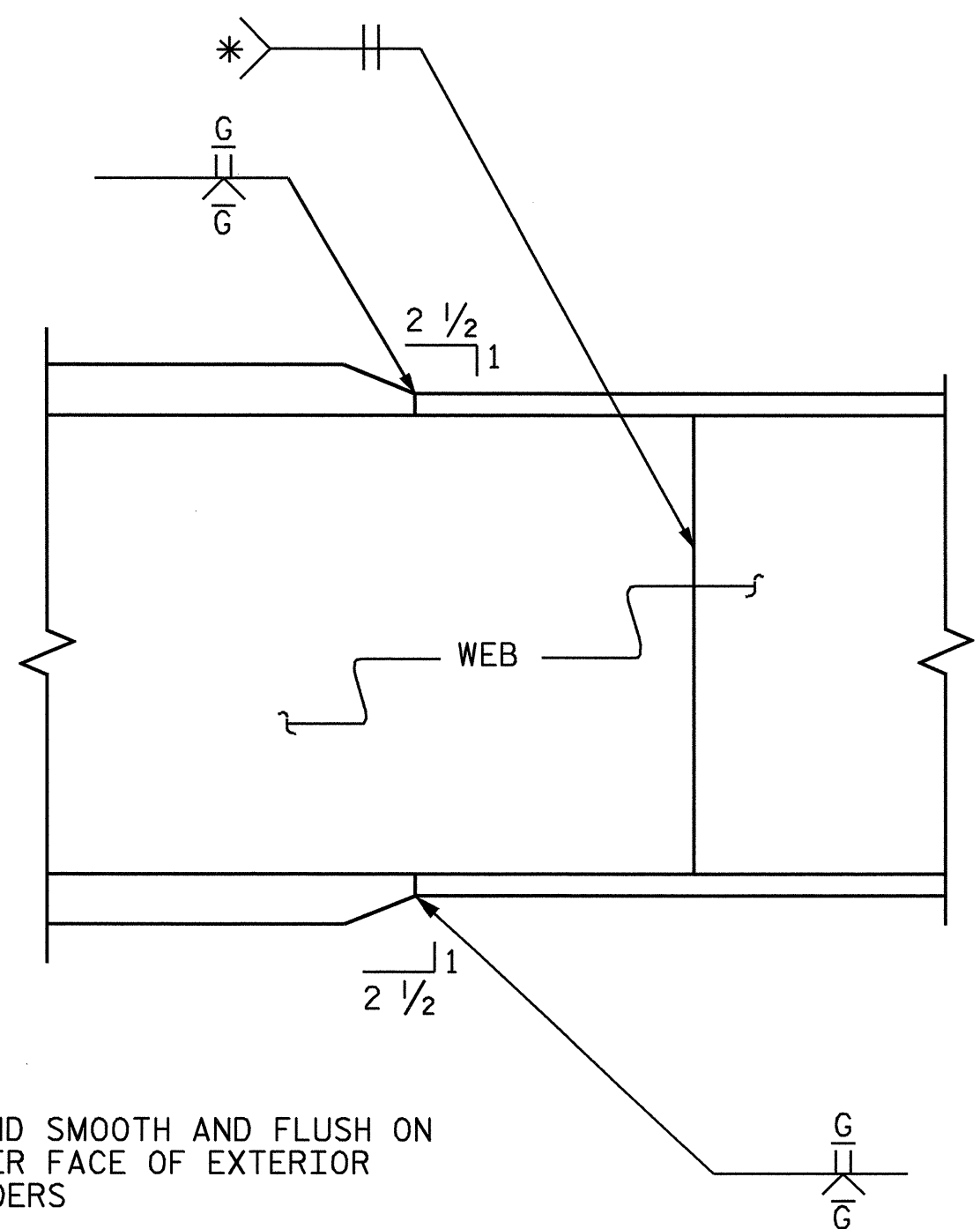
FILL FACE @
END BENT #2



**BOTTOM FLANGE
TAPER DETAIL**
(TYP. EACH END)



SHEAR STUD DETAILS
(ON GIRDERS)



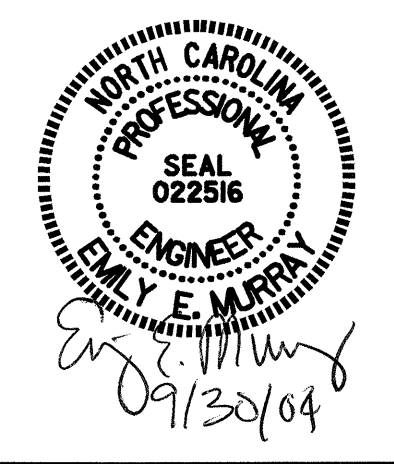
* GRIND SMOOTH AND FLUSH ON
OUTER FACE OF EXTERIOR
GIRDERS

ELEVATION

TYPICAL FLANGE AND WEB BUTT JOINT

PROJECT NO. R-2206C
 LINCOLN-CATAWBA COUNTY
 STATION: 237+97.199 -L-
 SHEET 1 OF 4

STATE OF NORTH CAROLINA
 DEPARTMENT OF TRANSPORTATION
 RALEIGH
 SUPERSTRUCTURE
 STRUCTURAL STEEL
 DETAILS
 RIGHT LANE



DRAWN BY : T.L. AVERETTE DATE : 4-29-02
 CHECKED BY : M.M. PARSONS DATE : 4-03

REVISIONS						SHEET NO.	
NO.	BY:	DATE:	NO.	BY:	DATE:	TOTAL SHEETS	
1			3			5	234
2			4			374	