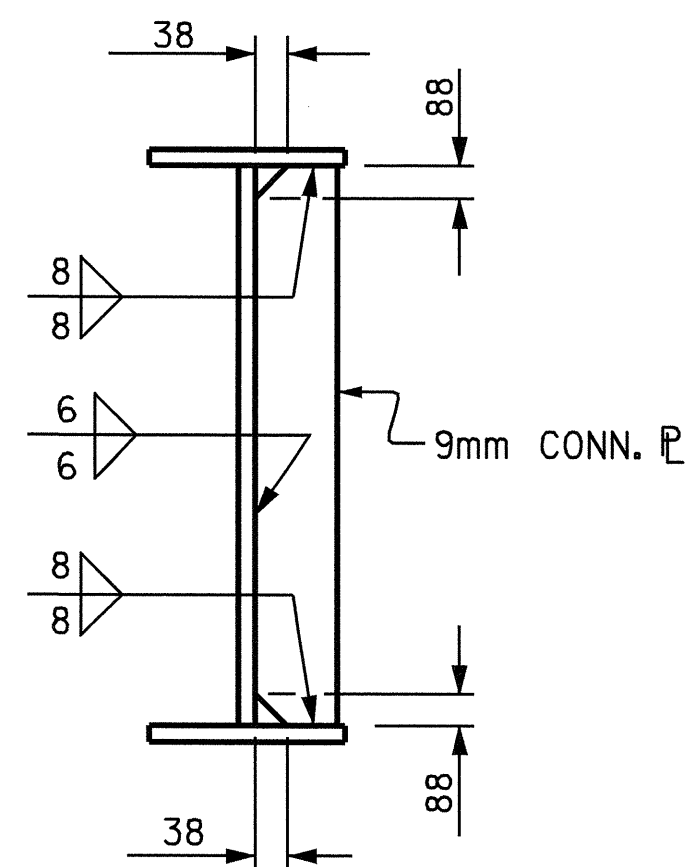


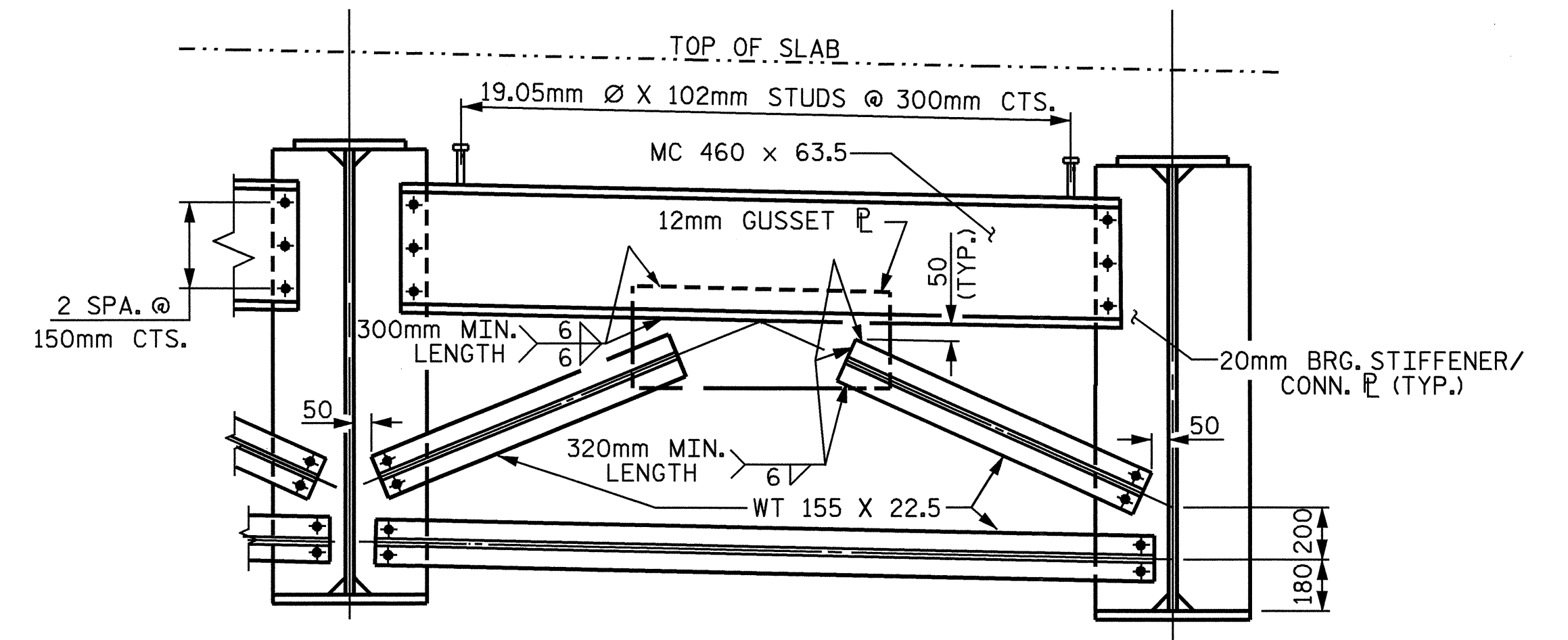
BEARING STIFFENER

(AT END BENTS)

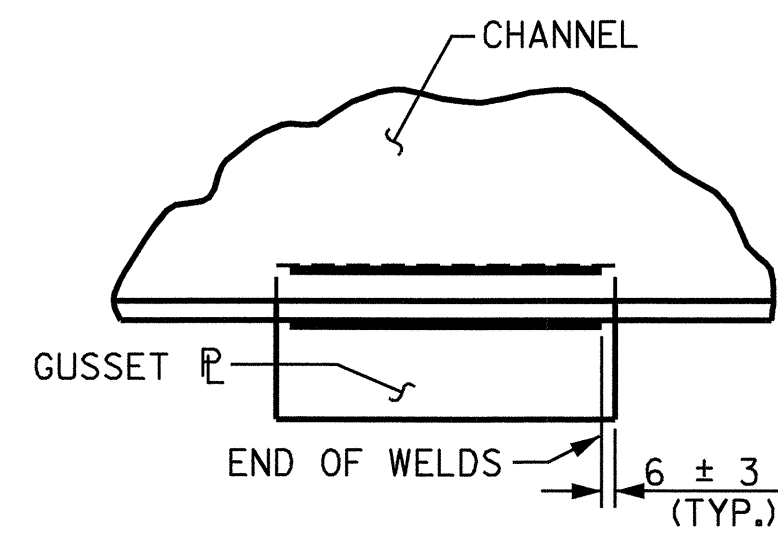
BEARING STIFFENER MAY REQUIRE COPING IF WIDER THAN BOTTOM FLANGE TO AVOID INTERFERENCE WITH THE ANCHOR BOLT.



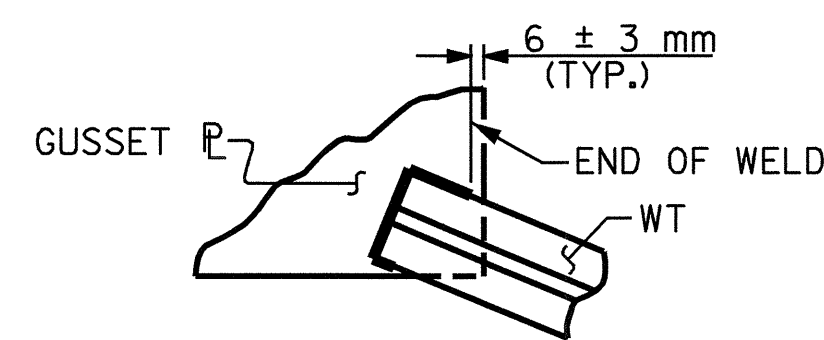
INTERMEDIATE DIAPHRAGM CONNECTOR PL



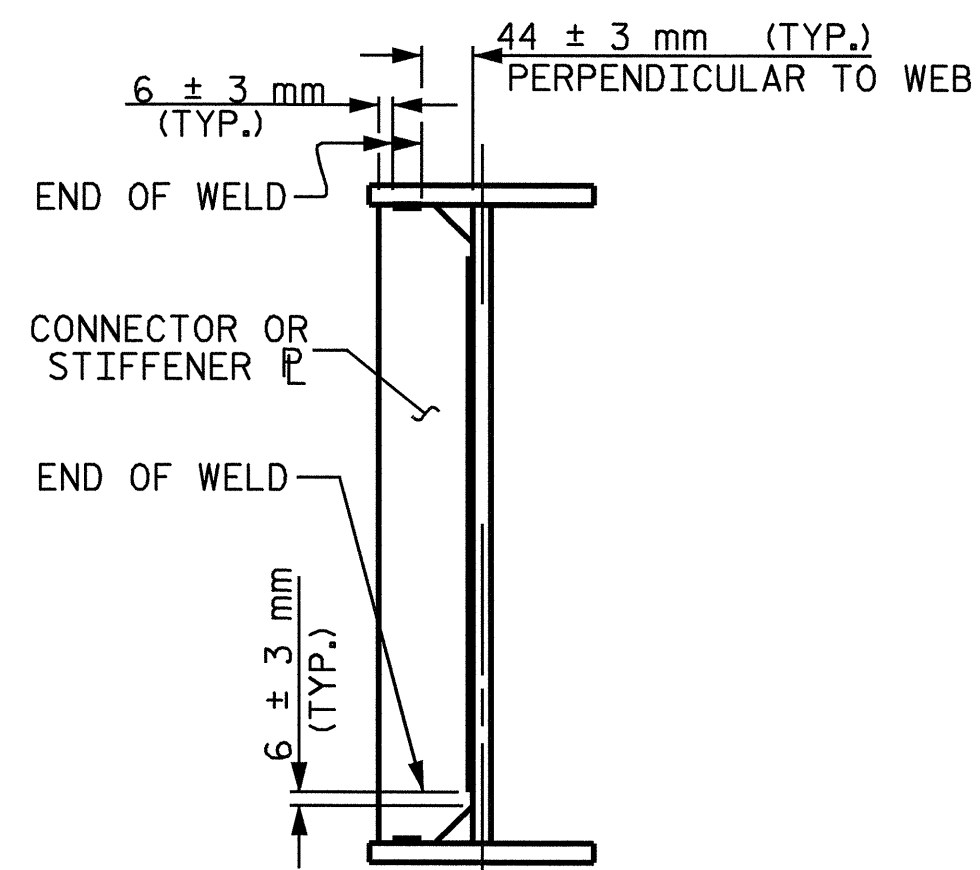
TYPICAL END BENT DIAPHRAGM



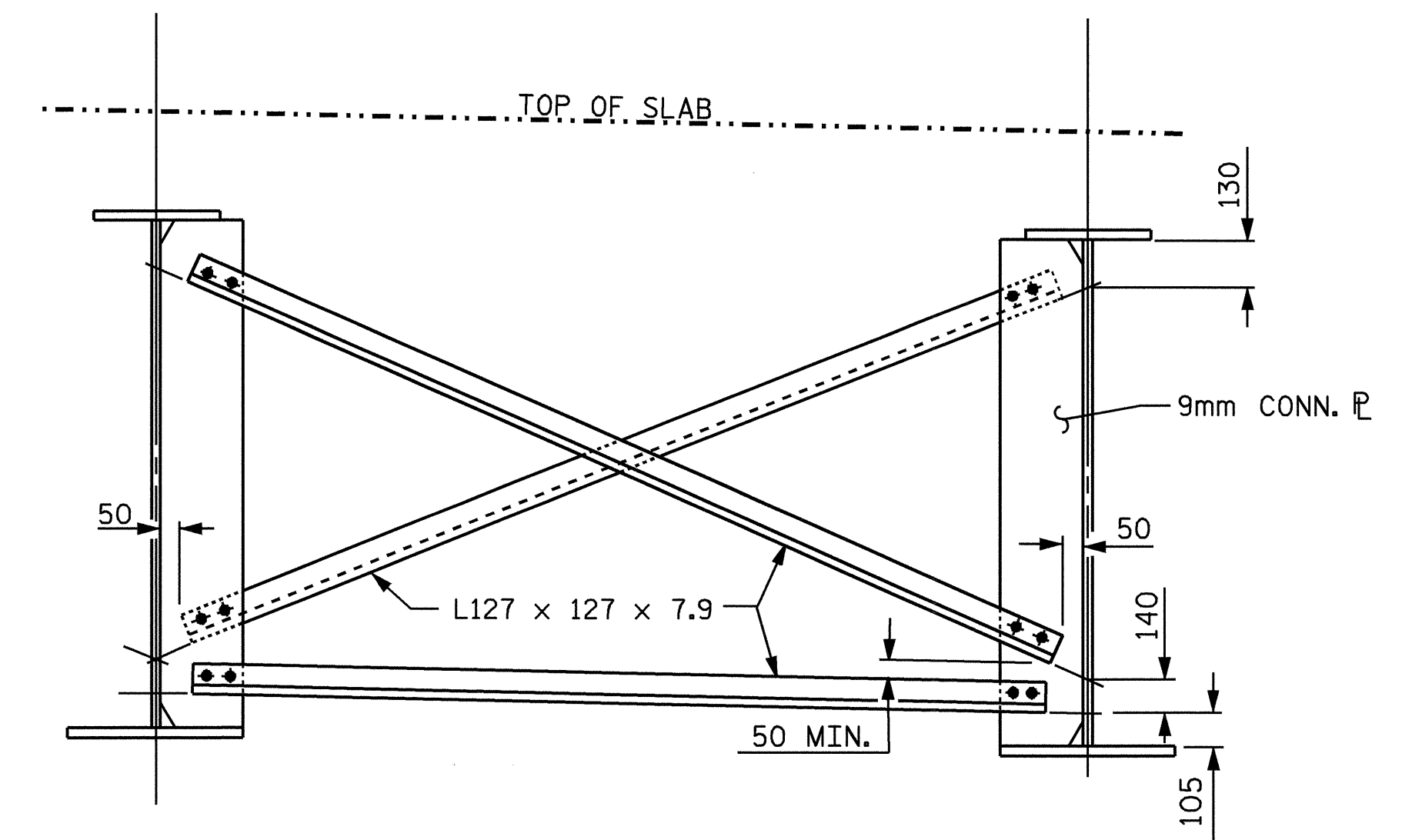
TYPICAL GUSSET PLATE CONNECTION



TYPICAL "TEE" TO GUSSET PLATE CONNECTION

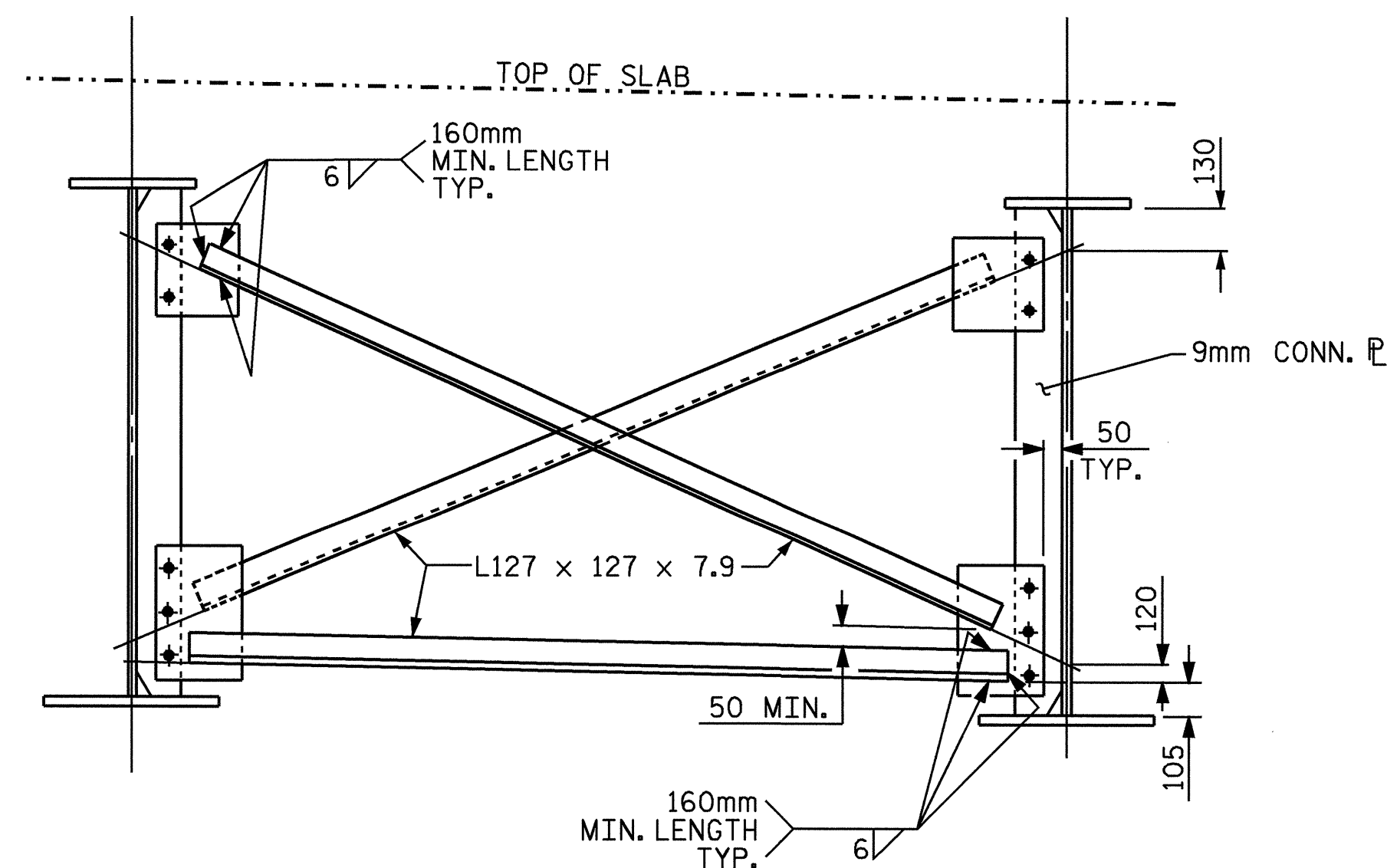


TYPICAL STIFFENER OR CONNECTOR PLATE CONNECTIONS

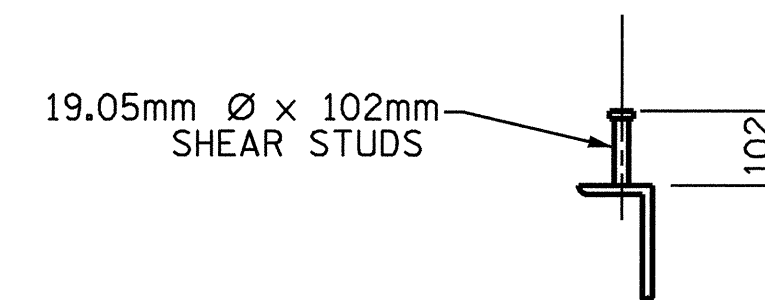


TYPICAL INTERMEDIATE DIAPHRAGM

WELD TERMINATION DETAILS



OPTIONAL INTERMEDIATE DIAPHRAGM



SHEAR STUD DETAILS
(@ CHANNELS)

PROJECT NO. R-2206C
 LINCOLN-CATAWBA COUNTY
 STATION: 237+97.199 -L-
 SHEET 2 OF 4

STATE OF NORTH CAROLINA
 DEPARTMENT OF TRANSPORTATION
 RALEIGH
 SUPERSTRUCTURE
 STRUCTURAL STEEL
 DETAILS
 RIGHT LANE



Emily E. Murrey
 9/10/04

REVISIONS						SHEET NO.
NO.	BY:	DATE:	NO.	BY:	DATE:	TOTAL SHEETS
1			3			3-235
2			4			374

DRAWN BY : T.L. AVERETTE DATE : 4-30-02
 CHECKED BY : M.M. PARSONS DATE : 4-03