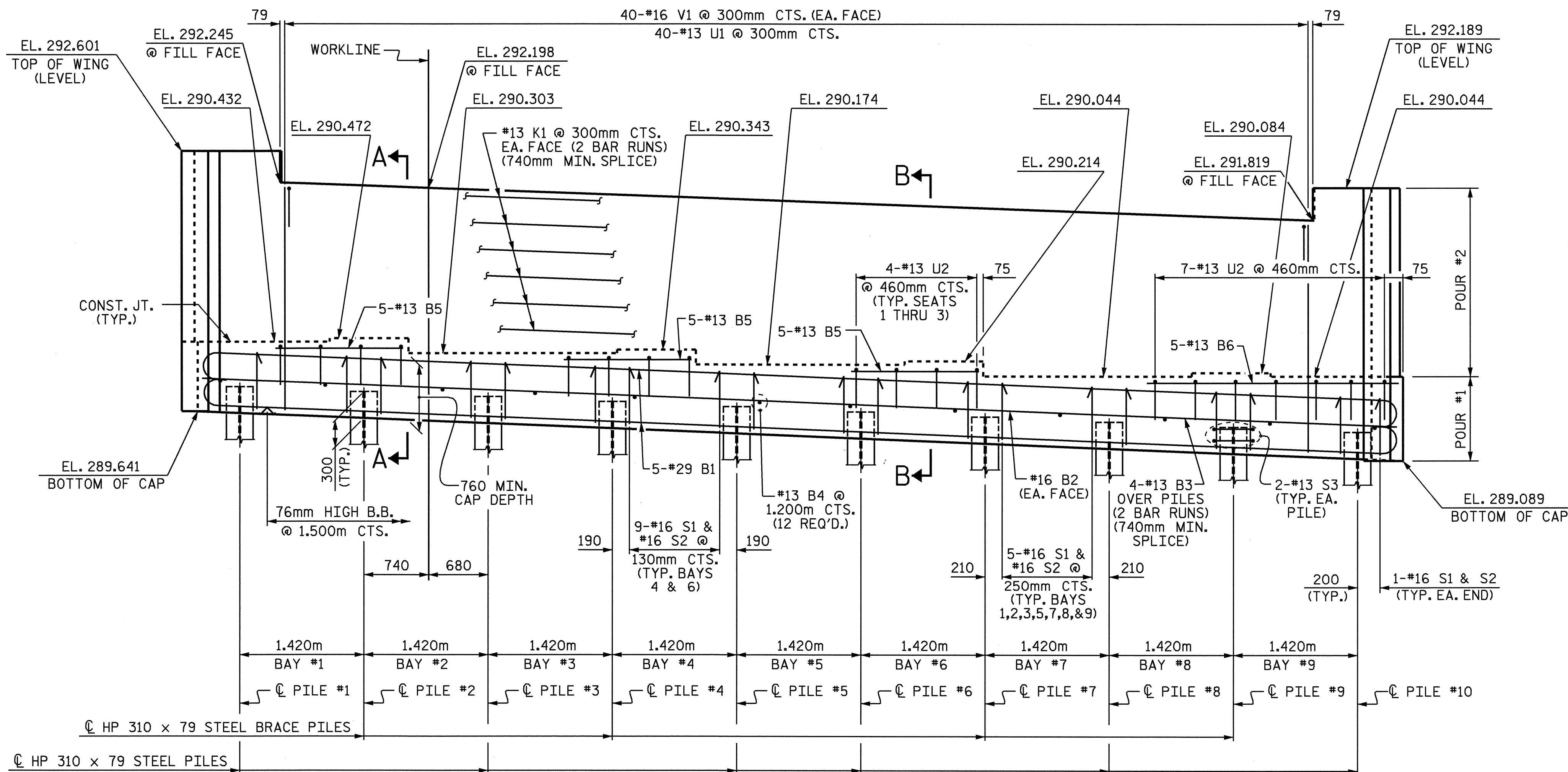


PLAN

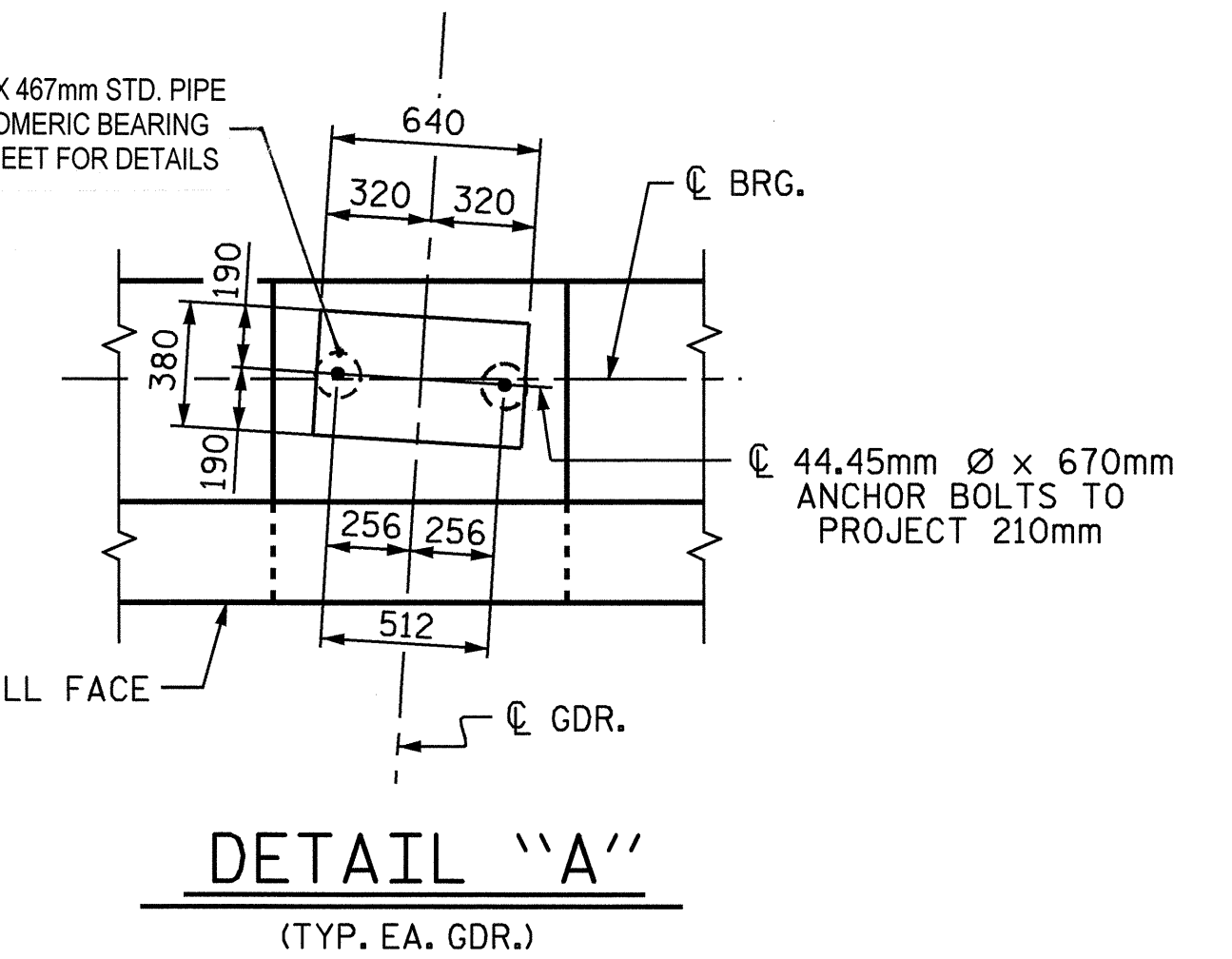


ELEVATION

NOTES

- STIRRUPS IN CAP MAY BE SHIFTED AS NECESSARY TO CLEAR ANCHOR BOLTS.
- FOR EPOXY PROTECTIVE COATING, SEE SPECIAL PROVISIONS.
- BACKWALL SHALL BE PLACED BEFORE APPLYING THE EPOXY PROTECTIVE COATING.
- THE TOP SURFACE AREAS OF THE END BENT CAPS SHALL BE CURED IN ACCORDANCE WITH THE STANDARD SPECIFICATIONS EXCEPT THE MEMBRANE CURING COMPOUND METHOD SHALL NOT BE USED.
- THE TOP SURFACE OF THE END BENT CAP EXCEPT THE BRIDGE SEAT BUILDUPS SHALL BE SLOPED TRANSVERSELY FROM THE FILL FACE TO THE BACK FACE AT THE RATE OF 2%.
- THE CONTRACTOR SHALL PROVIDE FOR INSTALLATION OF THE 102mm DIAMETER DRAIN PIPE THROUGH THE WING WALL AS REQUIRED FOR REINFORCED BRIDGE APPROACH FILLS, SEE THE ROADWAY PLANS. REINFORCING STEEL IN THE WING WALL MAY BE SHIFTED AS NECESSARY TO CLEAR THE DRAIN PIPE.
- EPOXY COAT THE END BENT CAP AFTER ADJUSTMENTS ARE MADE TO BEARINGS AND ANCHOR BOLTS ARE GROUTED.

102mm DIA. X 467mm STD. PIPE
SEE 'ELASTOMERIC BEARING
DETAILS' SHEET FOR DETAILS



DETAIL "A"
(TYP. EA. GDR.)

TOP OF PILE ELEVATION	
PILE	ELEVATION
1	289.922
2	289.865
3	289.808
4	289.751
5	289.694
6	289.637
7	289.580
8	289.524
9	289.467
10	289.410

PROJECT NO. R-2206C
LINCOLN-CATAWBA COUNTY
 STATION: 237+97.199 -L-

SHEET 1 OF 3

STATE OF NORTH CAROLINA
 DEPARTMENT OF TRANSPORTATION
 RALEIGH

SUBSTRUCTURE
 END BENT #1
 RIGHT LANE



Eng. E. J. Murphy
 9/10/04

REVISIONS						TOTAL SHEETS
NO.	BY:	DATE:	NO.	BY:	DATE:	374
1			3			
2			4			

DRAWN BY : T.L. AVERETTE DATE : 10-03
 CHECKED BY : W.D. CRUTCHER DATE : 02-04