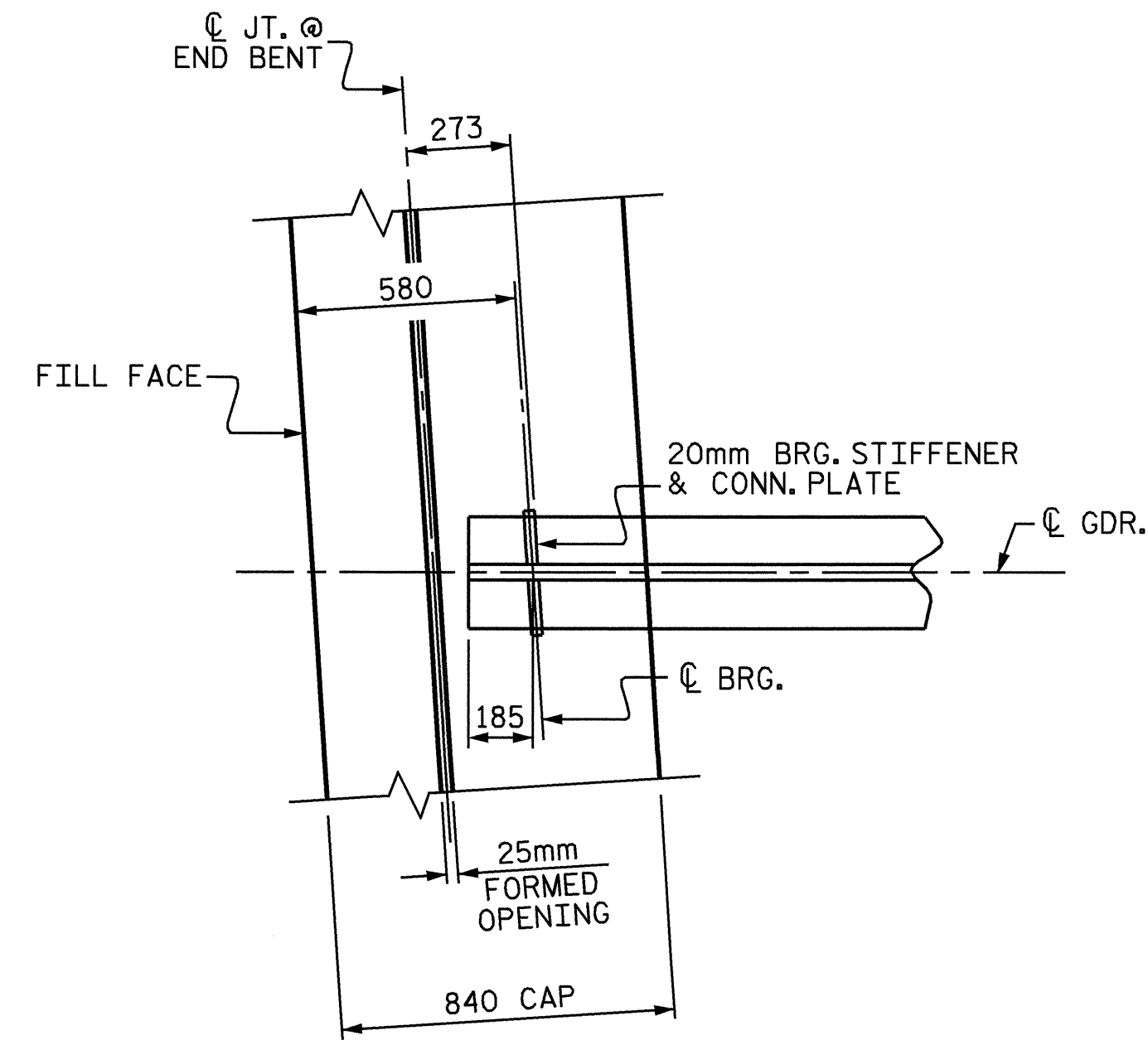


SECTION THRU END BENT DIAPHRAGM



PLAN OF GIRDER @ END BENT

PROJECT NO. R-2206C
LINCOLN-CATAWBA COUNTY
 STATION: 245+91.502 -L-

SHEET 2 OF 2



STATE OF NORTH CAROLINA						SHEET NO. S-258
DEPARTMENT OF TRANSPORTATION RALEIGH						
SUPERSTRUCTURE						
TYPICAL SECTION DETAILS						
LEFT LANE						
REVISIONS						TOTAL SHEETS 374
NO.	BY:	DATE:	NO.	BY:	DATE:	
1			3			
2			4			

DRAWN BY : M.D.PISO DATE : 9/03
 CHECKED BY : M.M.PARSONS DATE : 5/11/04