

SUPERSTRUCTURE REINFORCING STEEL LENGTHS ARE BASED ON THE FOLLOWING MINIMUM SPLICE LENGTHS

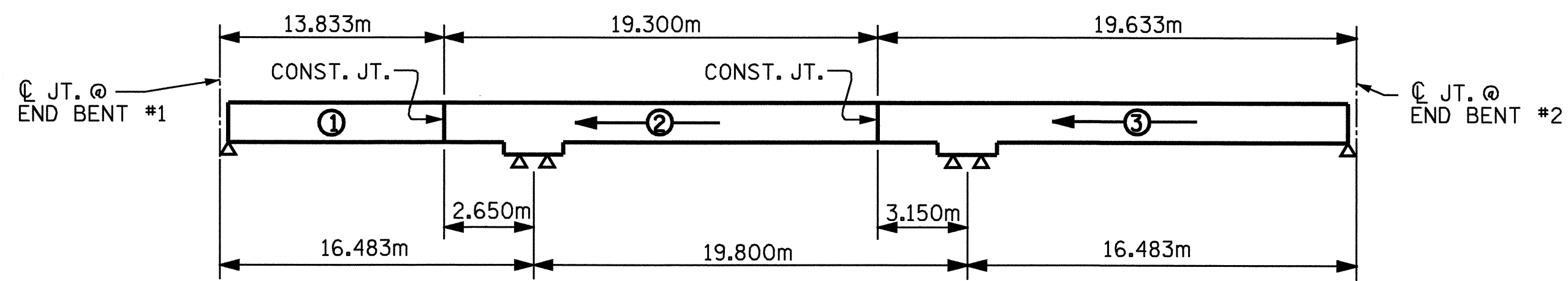
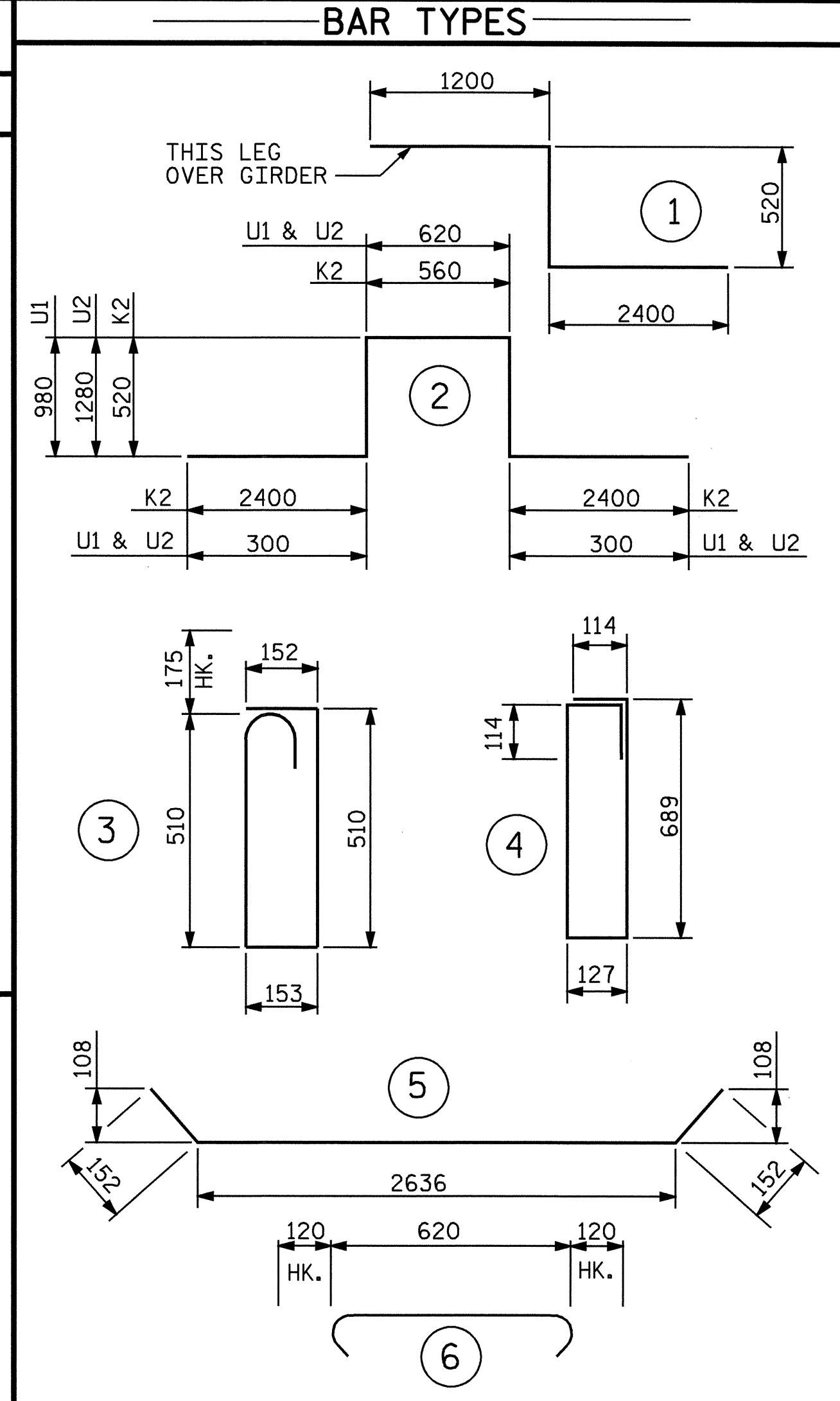
BAR SIZE	SUPERSTRUCTURE EXCEPT APPROACH SLABS, PARAPET, AND BARRIER RAIL		APPROACH SLABS		PARAPET AND BARRIER RAIL
	EPOXY COATED	UNCOATED	EPOXY COATED	UNCOATED	
#13	610	540	610	540	840
#16	770	660	770	660	1050
#19	920	790	1190	790	1330
#22	1580	1060			
#25	2080	1390			

GROOVING BRIDGE FLOORS

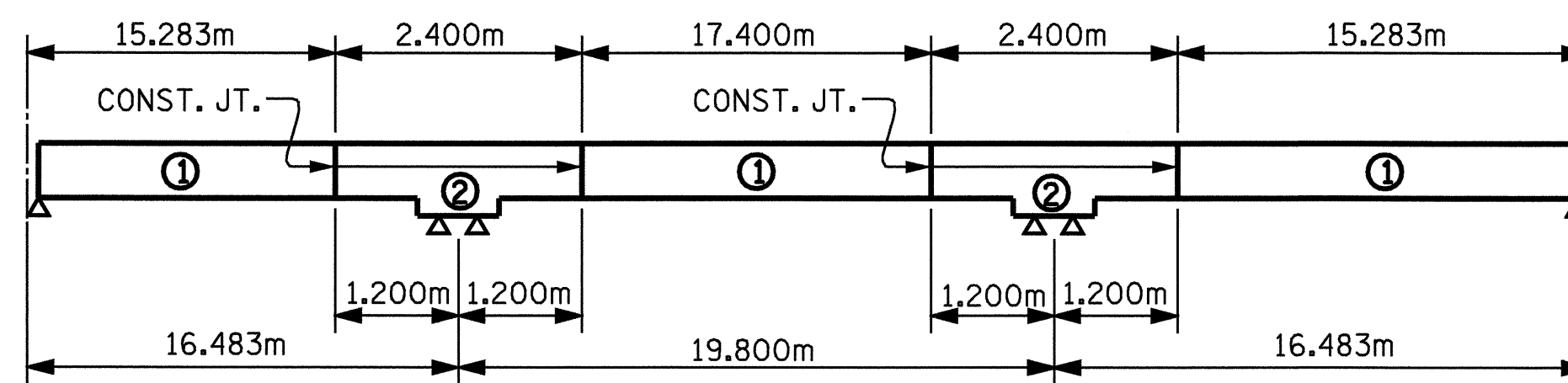
BRIDGE DECK	520.0	SQ.METER
APPROACH SLAB	148.9	SQ.METER
TOTAL	668.9	SQ.METER

REINFORCING BAR SCHEDULE

BAR	NO	SIZE	TYPE	LENGTH	WEIGHT
* A1	351	16	STR	11640	6341
A2	351	16	STR	11640	6341
* B1	112	13	STR	6020	670
B2	188	16	STR	13700	3997
* B3	56	22	STR	14000	2385
* B4	50	22	STR	5500	837
* B5	28	13	STR	7800	217
* K1	8	25	1	4120	131
* K2	8	25	2	6400	203
K3	16	13	STR	5140	82
K4	18	16	5	2940	82
K5	18	16	STR	2800	78
K6	12	13	STR	2220	26
K7	12	13	STR	2860	34
K8	12	13	STR	2960	35
K9	12	13	STR	2720	32
* S1	60	16	3	1500	140
S2	81	13	4	1860	150
S3	150	13	6	860	128
U1	12	13	2	3180	38
U2	42	13	2	3780	158
REINFORCING STEEL					11181 kg.
* EPOXY COATED REINFORCING STEEL					10924 kg.

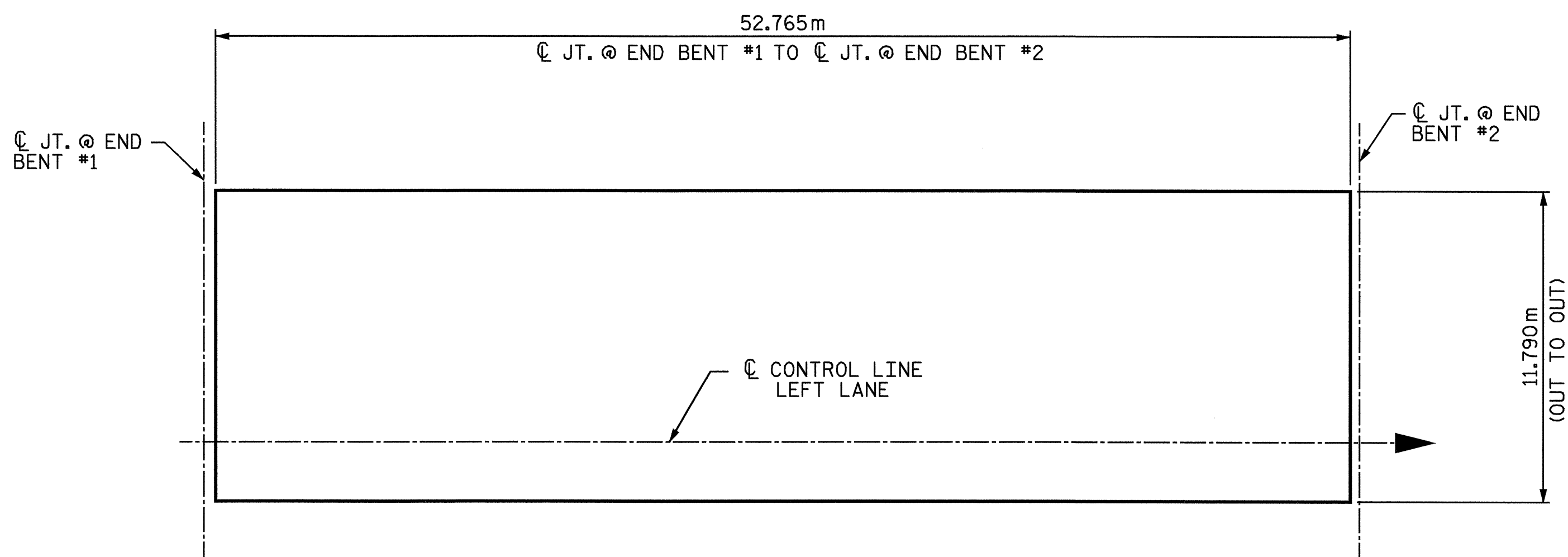


POURING SEQUENCE

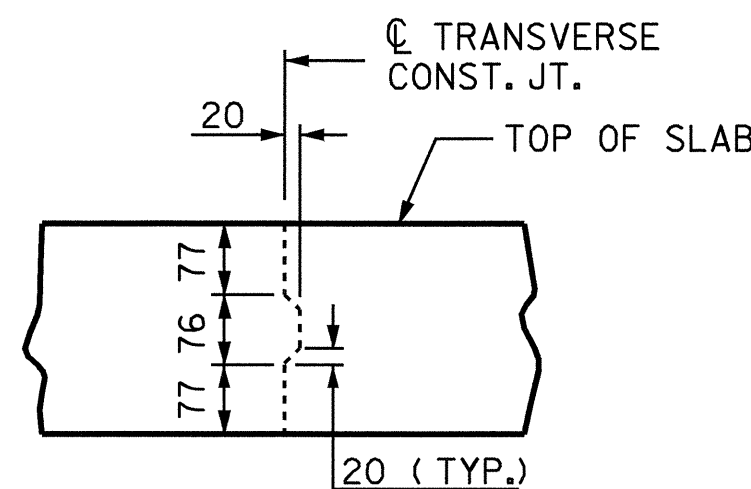


OPTIONAL POURING SEQUENCE

POUR ② CAN NOT BE STARTED UNTIL BOTH ADJACENT ① POURS REACH A MINIMUM OF 20.7Mpa



LAYOUT FOR COMPUTING AREA OF REINFORCED CONCRETE DECK SLAB (SQ. METER = 622.1)



TRANSVERSE CONSTRUCTION JOINT DETAIL

NOTE: REINFORCING STEEL IN SLAB NOT SHOWN. LONGITUDINAL REINFORCING STEEL SHALL BE CONTINUOUS THRU JOINT.

— SUPERSTRUCTURE BILL OF MATERIAL —

	CLASS AA CONCRETE (CU. METER)	REINFORCING STEEL (kg)	EPOXY COATED REINFORCING STEEL (kg)
POUR #1	46.2		
POUR #2	71.2	11181	10924
POUR #3	72.3		
TOTALS**	189.7	11181	10924

** QUANTITIES FOR BARRIER RAIL ARE NOT INCLUDED

PROJECT NO. R-2206C
 LINCOLN-CATAWBA COUNTY
 STATION: 256+91.000 -L-



STATE OF NORTH CAROLINA
 DEPARTMENT OF TRANSPORTATION
 RALEIGH
STANDARD
SUPERSTRUCTURE
BILL OF MATERIAL
LEFT LANE

REVISIONS				SHEET NO.
NO.	BY:	DATE:	NO.	DATE:
1			3	
2			4	

TOTAL SHEETS: 374

ASSEMBLED BY : PEGGY ADKINS	DATE : 1-04
CHECKED BY : W. D. CRUTCHER	DATE : 1-04
DRAWN BY : JMB 5/87	REV. 5/16/97 EEM/RGW
CHECKED BY : SJD 9/87	