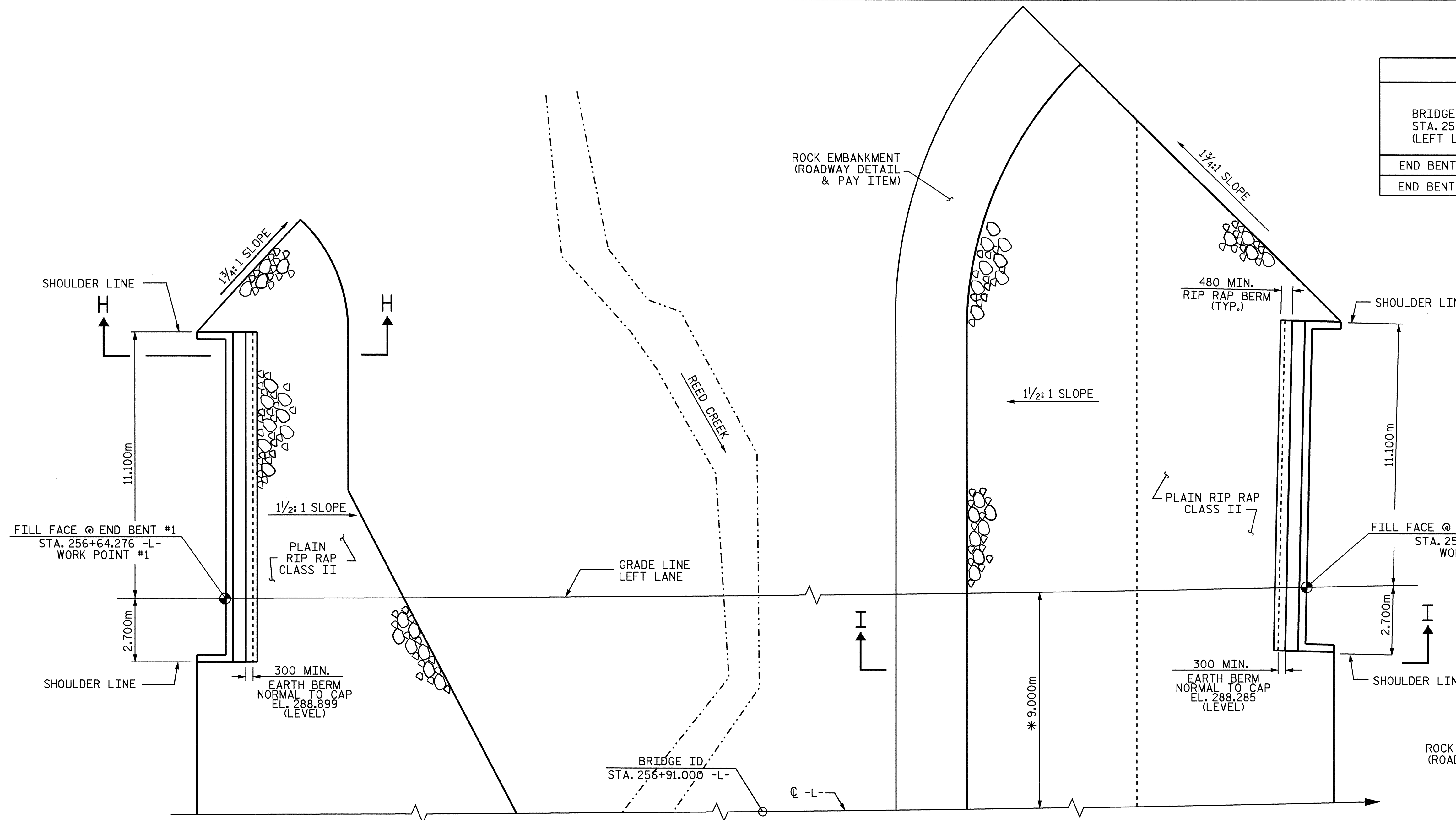
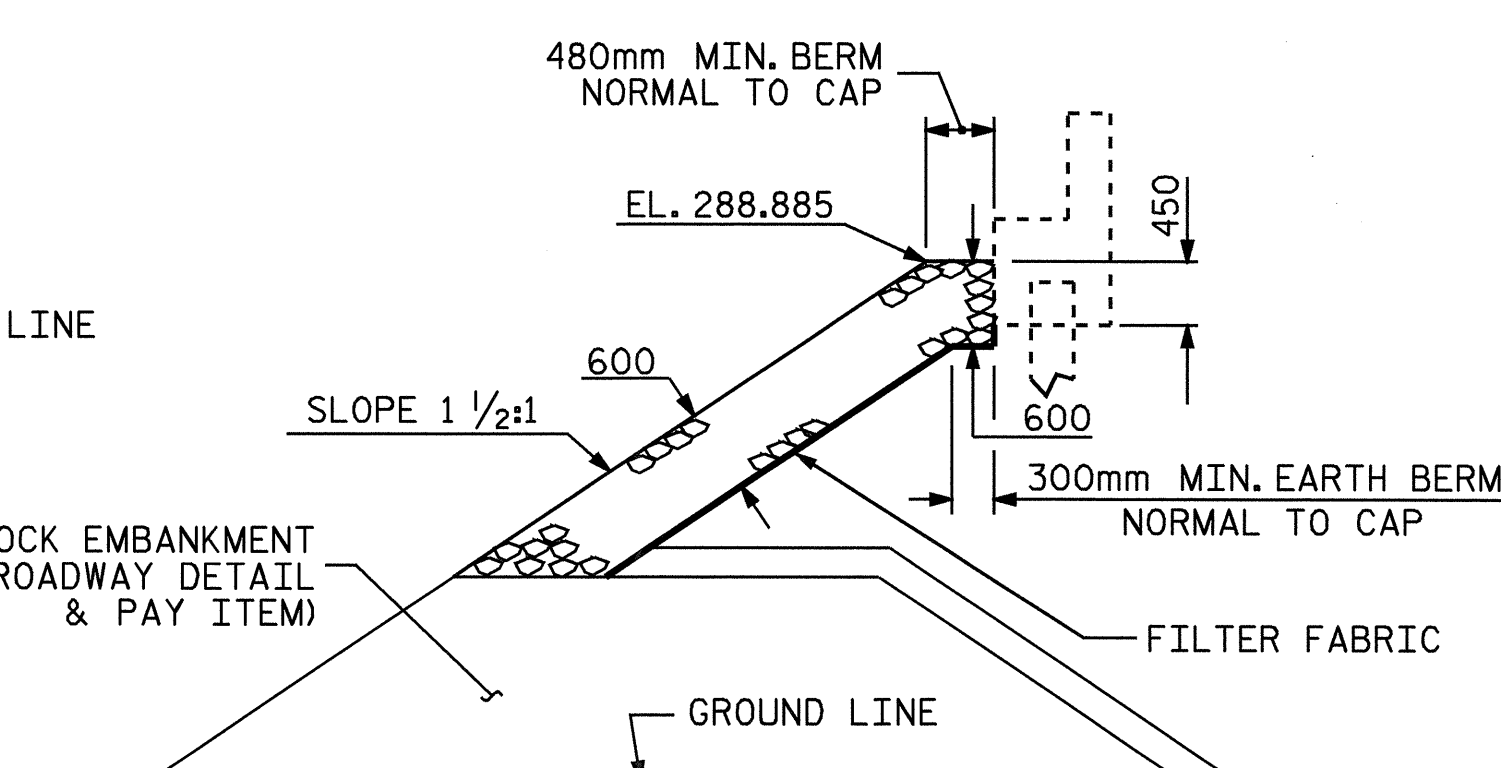


ESTIMATED QUANTITIES		
BRIDGE @ STA. 256+91.000-L- (LEFT LANE)	PLAIN RIP RAP CLASS II	FILTER FABRIC FOR DRAINAGE
	METRIC TON	SQUARE METERS
END BENT 1	226	231
END BENT 2	465	474

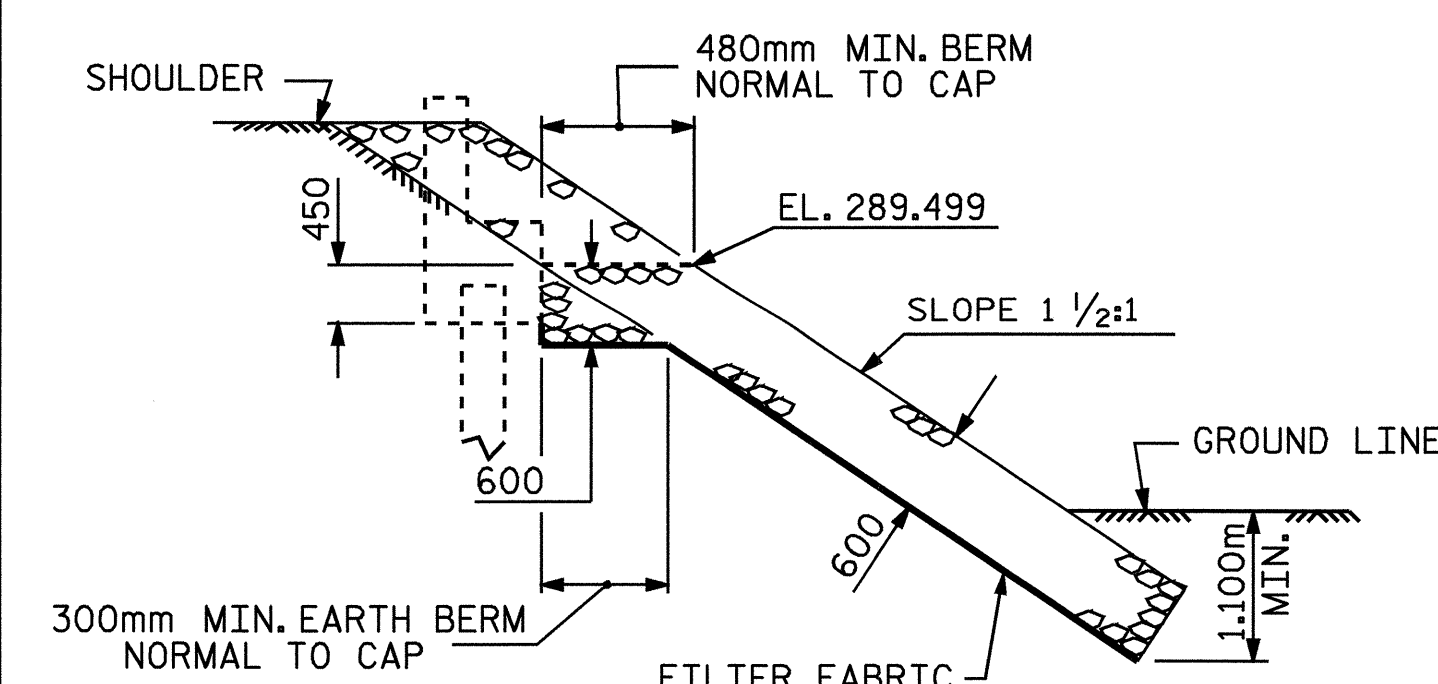


PLAN OF RIP RAP

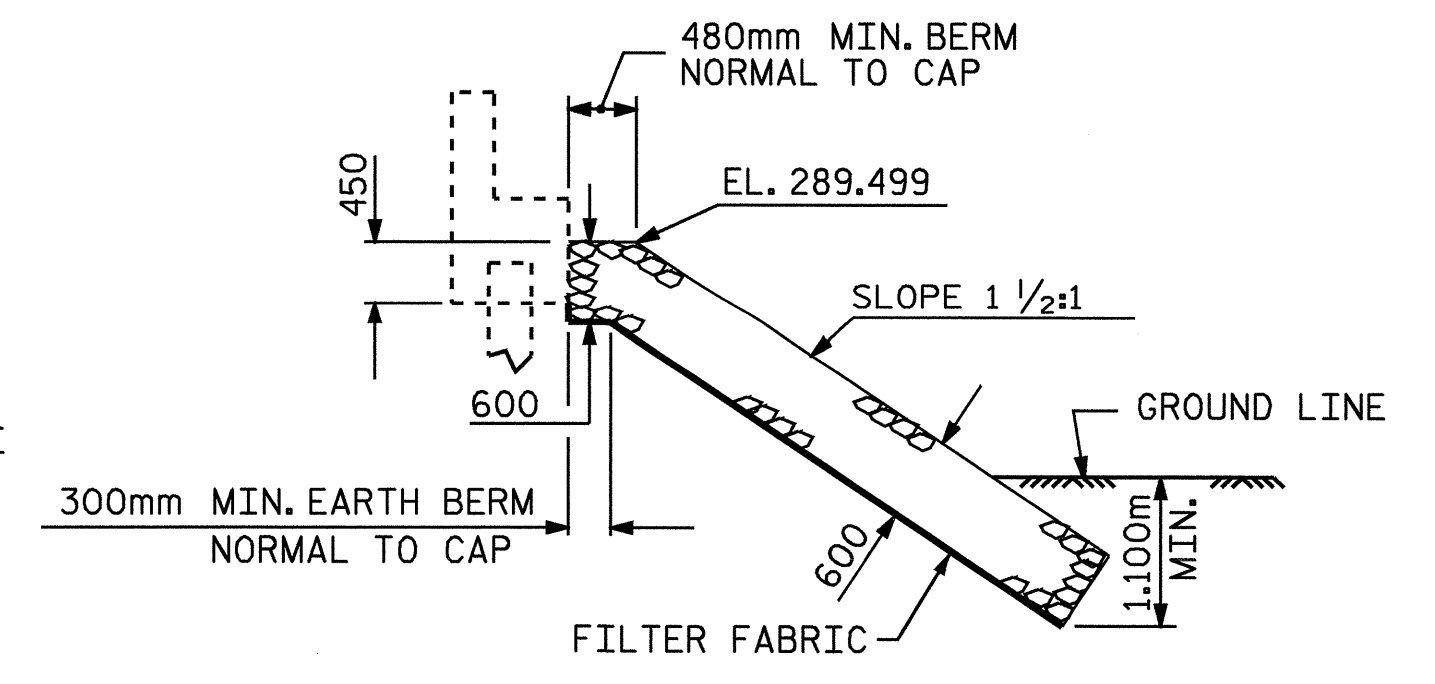
* RADIAL DIMENSION



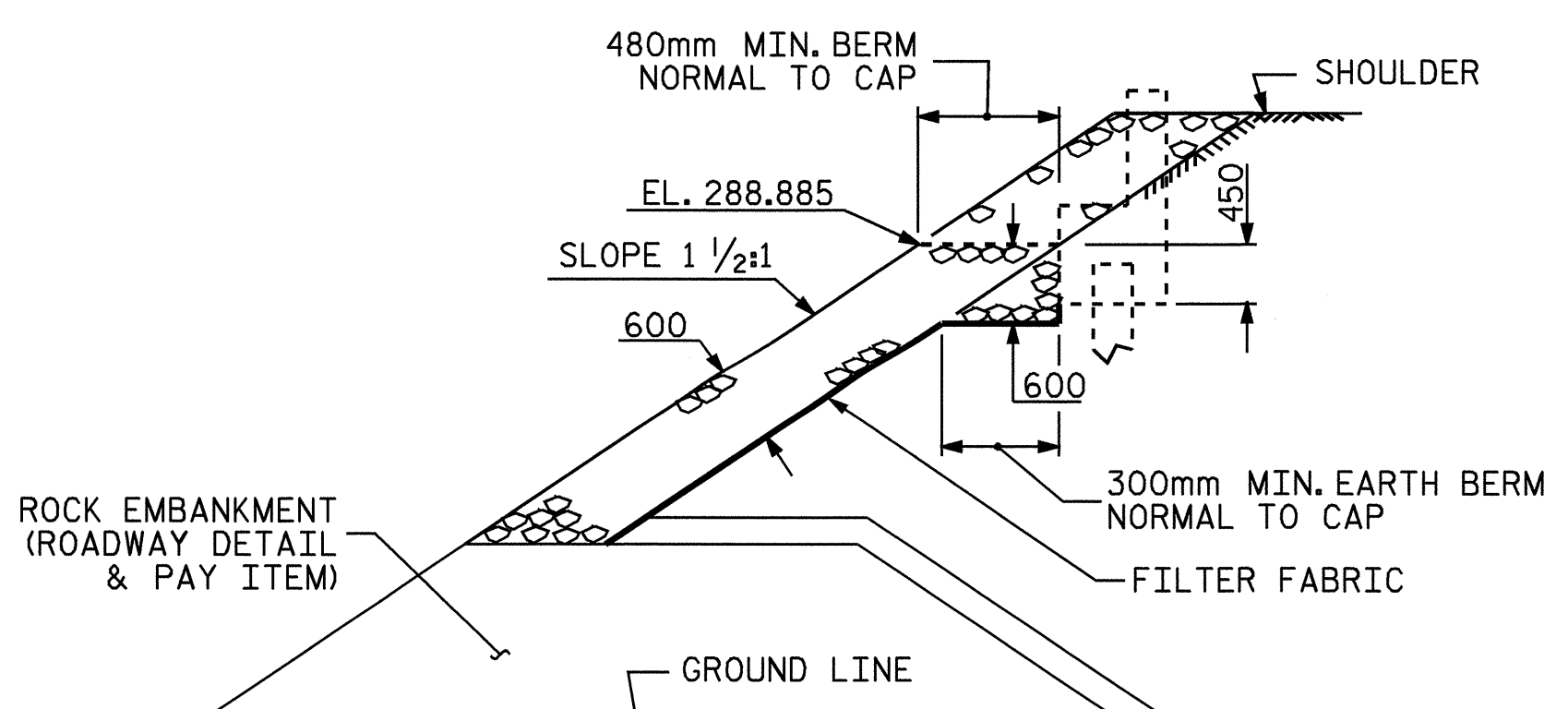
C SECTION
BERM RIP RAPPED
(@ END BENT #2)



SECTION H-H
(@ END BENT #1)



C SECTION
BERM RIP RAPPED
(@ END BENT #1)



SECTION I-I
(@ END BENT #2)

PROJECT NO. R-2206C
LINCOLN-CATAWBA COUNTY
STATION: 256+91.000 -L-

STATE OF NORTH CAROLINA DEPARTMENT OF TRANSPORTATION RALEIGH					
RIP RAP DETAILS LEFT LANE					
REVISIONS					
NO.	BY:	DATE:	NO.	BY:	DATE:
1			3		
2			4		



DRAWN BY: C. MILLER DATE: 12-03
CHECKED BY: T.L. AVERETTE DATE: 04-04

08-SEP-2004 12:00
W:\squad\2206c\Final Plans\Str. I\N2206C_SD_RR_IL.dgn
dorutcher