

NOTES

THE GUARDRAIL ANCHOR ASSEMBLY SHALL CONSIST OF A 6mm HOLD DOWN PLATE AND 7 - 22.23mm Ø BOLTS WITH NUTS AND WASHERS.

THE HOLD-DOWN PLATE SHALL CONFORM TO AASHTO M270 GRADE 250. AFTER FABRICATION, THE HOLD-DOWN PLATE SHALL BE GALVANIZED IN ACCORDANCE WITH AASHTO M111.

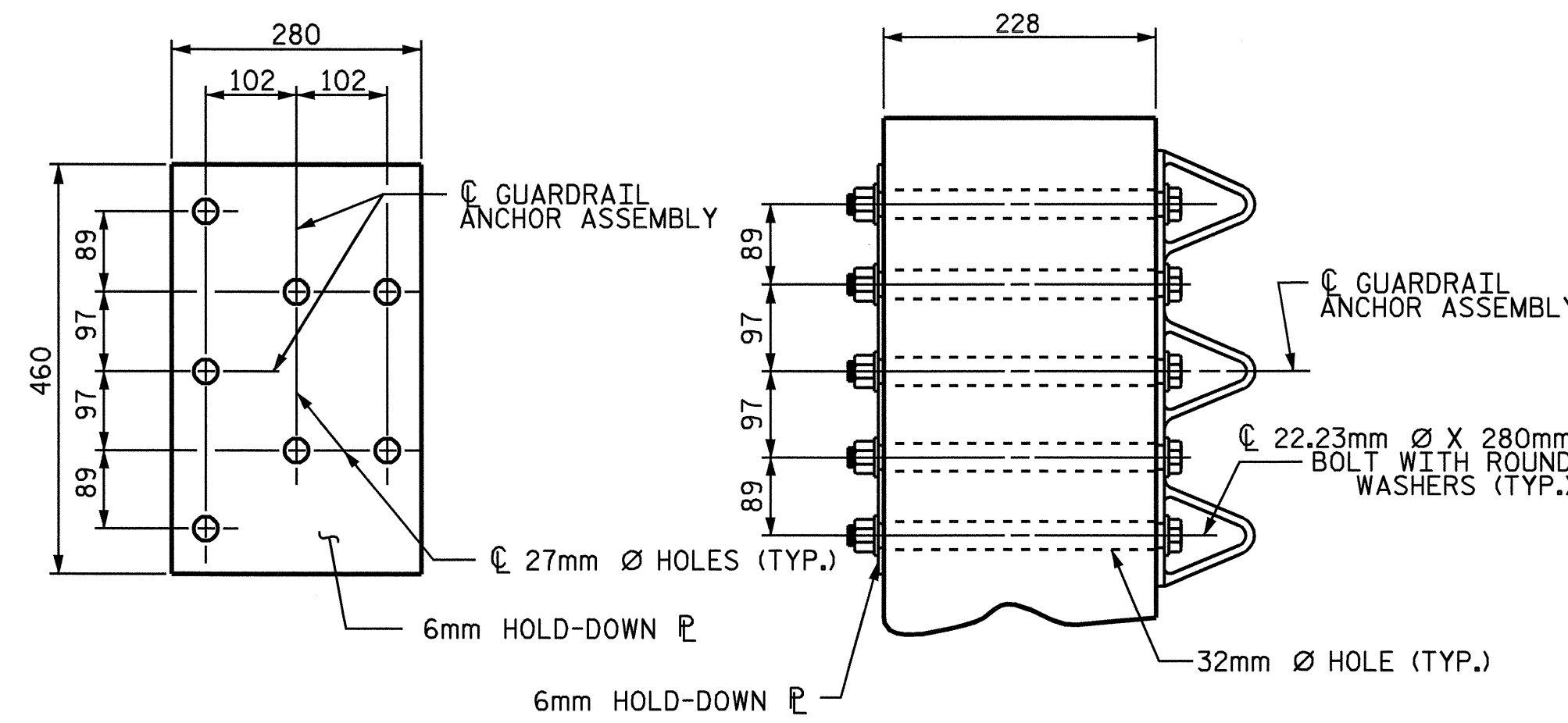
BOLTS SHALL CONFORM TO THE REQUIREMENTS OF ASTM A307 AND NUTS SHALL CONFORM TO THE REQUIREMENTS OF AASHTO M291M. BOLTS, NUTS AND WASHERS SHALL BE GALVANIZED. AT THE CONTRACTOR'S OPTION, STAINLESS STEEL BOLTS, NUTS AND WASHERS MAY BE USED AS AN ALTERNATE FOR THE 22.23mm Ø GALVANIZED BOLTS, NUTS AND WASHERS. THEY SHALL CONFORM TO OR EXCEED THE MECHANICAL REQUIREMENTS OF ASTM A307. THE USE OF THIS ALTERNATE SHALL BE APPROVED BY THE ENGINEER.

AFTER INSTALLATION, THE EXPOSED THREAD OF THE BOLT SHALL BE BURRED WITH A SHARP POINTED TOOL.

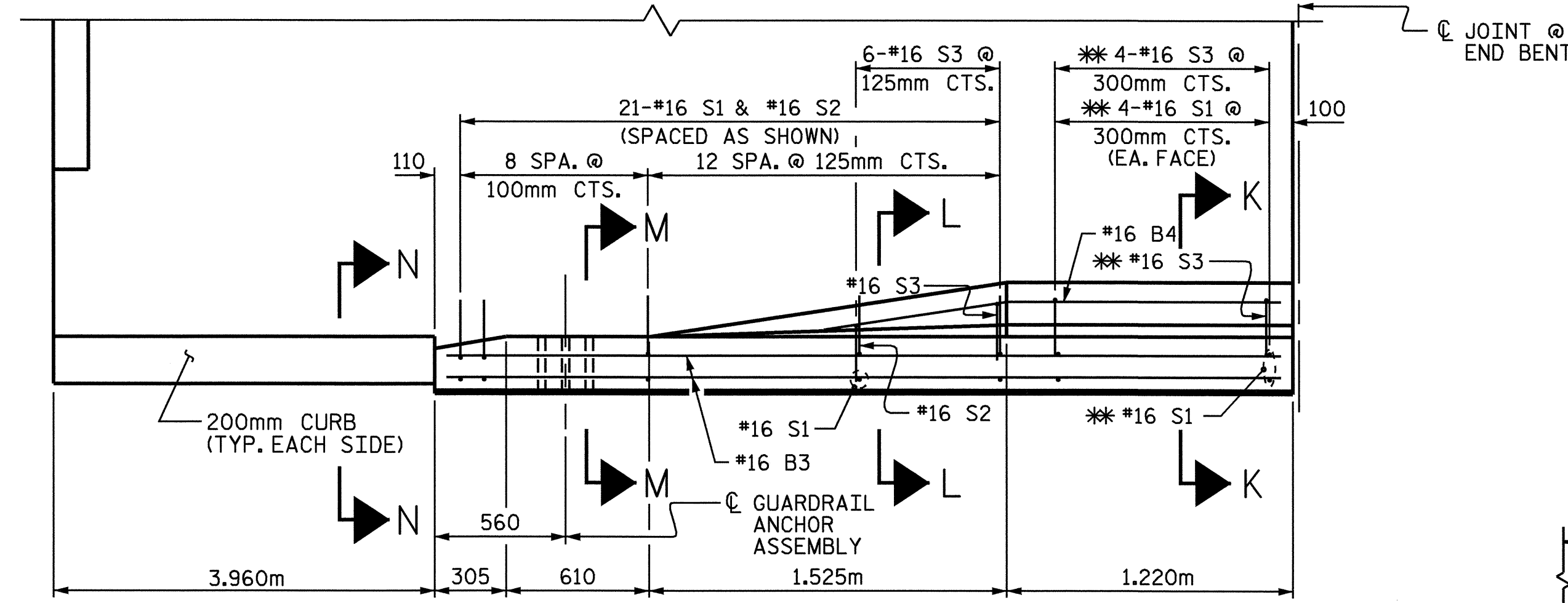
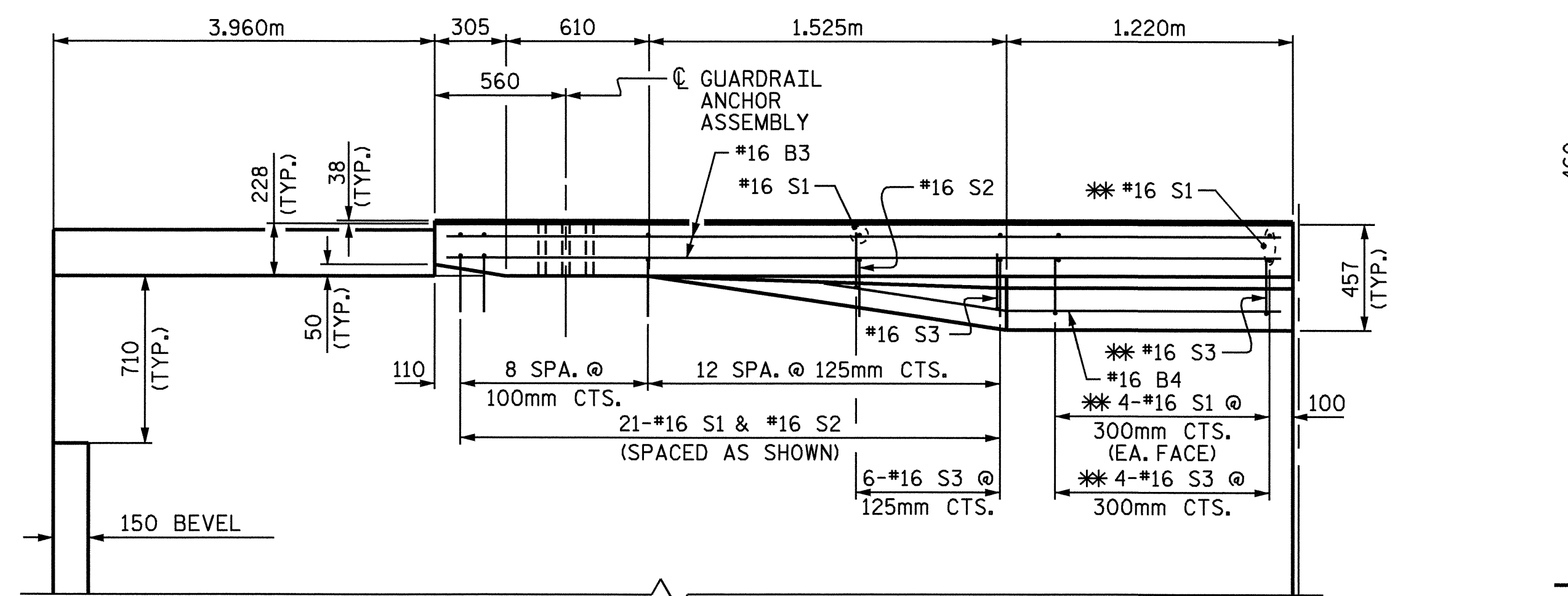
THE COST OF THE GUARDRAIL ANCHOR ASSEMBLIES WITH BOLTS, NUTS AND WASHERS COMPLETE IN PLACE, SHALL BE INCLUDED IN THE LUMP SUM CONTRACT PRICE BID FOR BRIDGE APPROACH SLABS.

THE 32mm Ø HOLES SHALL BE FORMED OR DRILLED WITH A CORE BIT. IMPACT TOOLS WILL NOT BE PERMITTED. ANY CONCRETE DAMAGED BY THIS WORK SHALL BE REPAIRED TO THE SATISFACTION OF THE ENGINEER.

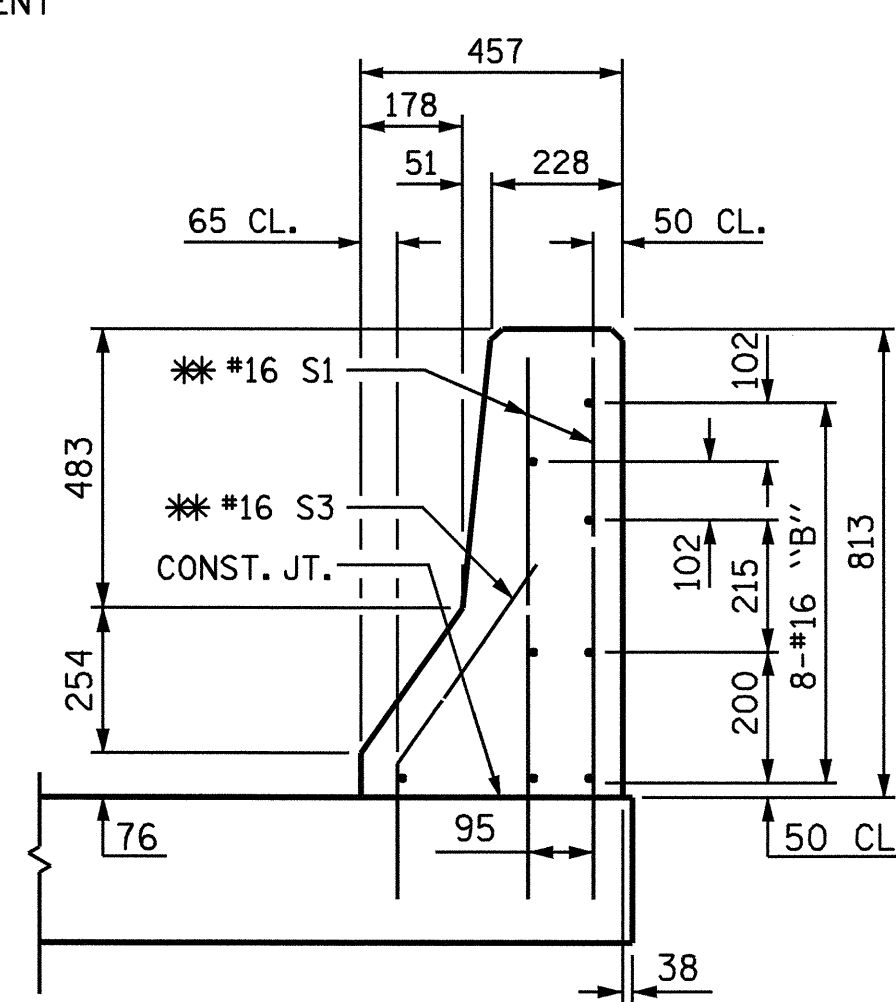
THE #16 S1 AND #16 S3 BARS SHALL BE INSTALLED, WHERE NOTED ON THE PLANS, USING AN ADHESIVE ANCHORING SYSTEM AFTER SAWING THE JOINT. FOR ADHESIVELY ANCHORED ANCHOR BOLTS OR DOWELS, SEE SPECIAL PROVISIONS. THE YIELD LOAD FOR THE #16 S1 AND #16 S3 BARS IS 82.7 KN. FIELD TESTING FOR THE ADHESIVE BONDING SYSTEM IS NOT REQUIRED.



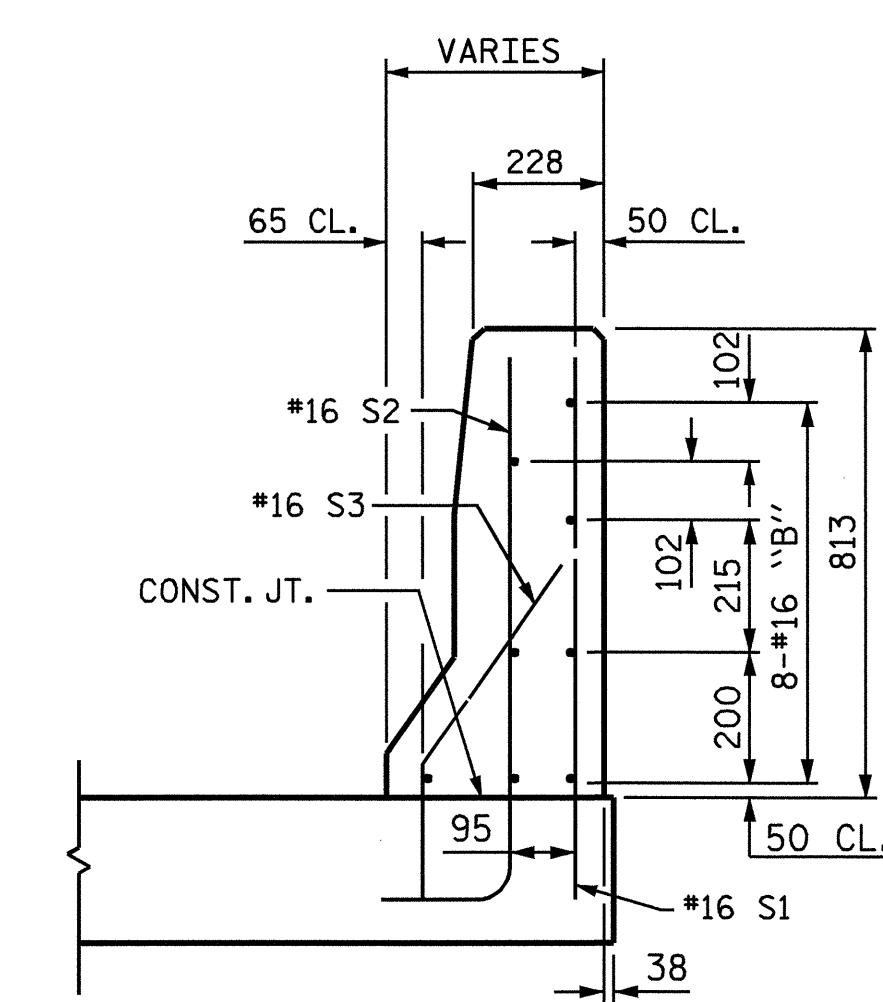
PLAN
SECTION E-E
GUARDRAIL ANCHOR ASSEMBLY DETAILS



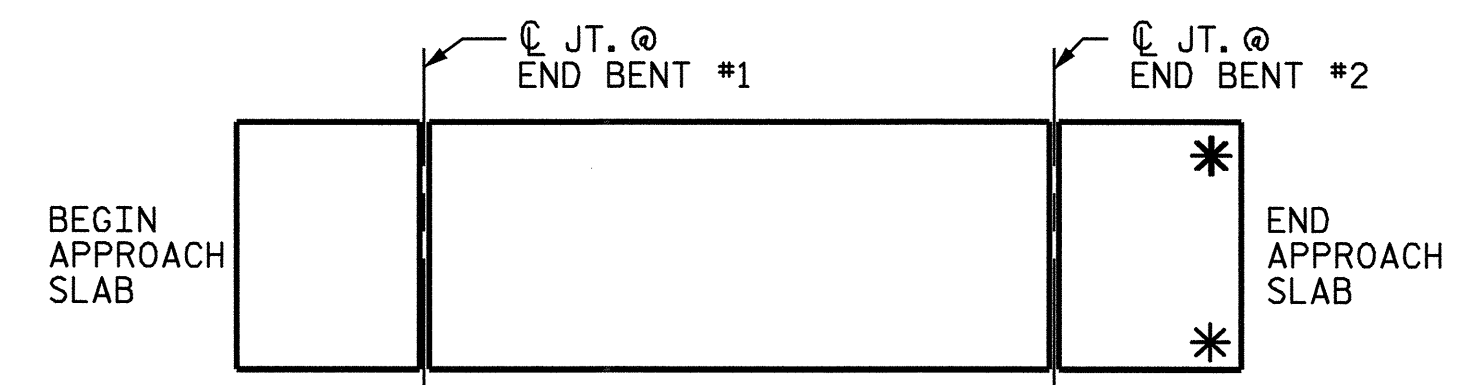
PLAN
BEGIN APPROACH SLAB SHOWN,
END APPROACH SLAB SIMILAR



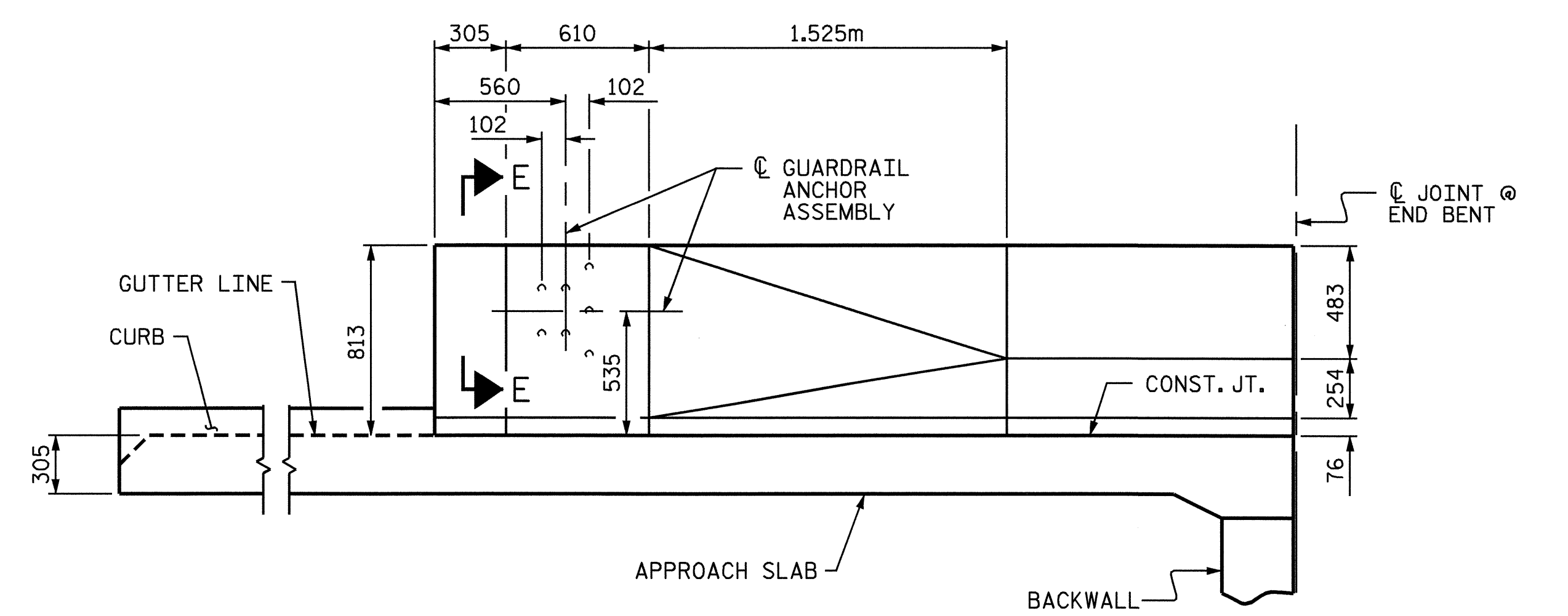
SECTION K-K
** ADHESIVELY ANCHORED



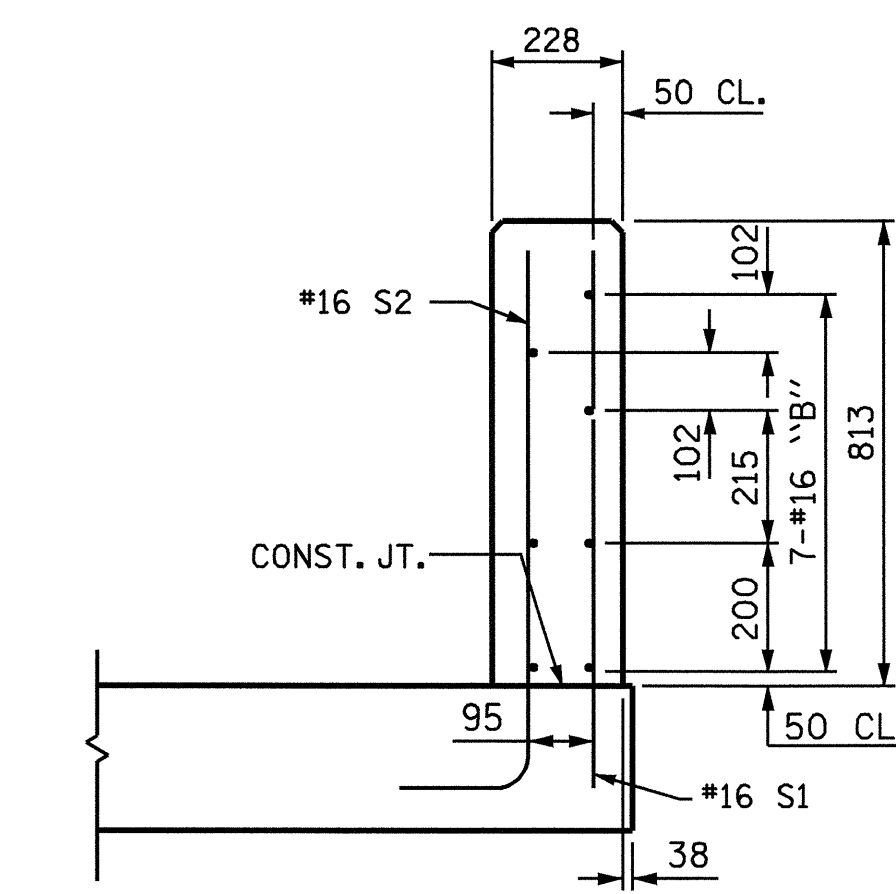
SECTION L-L



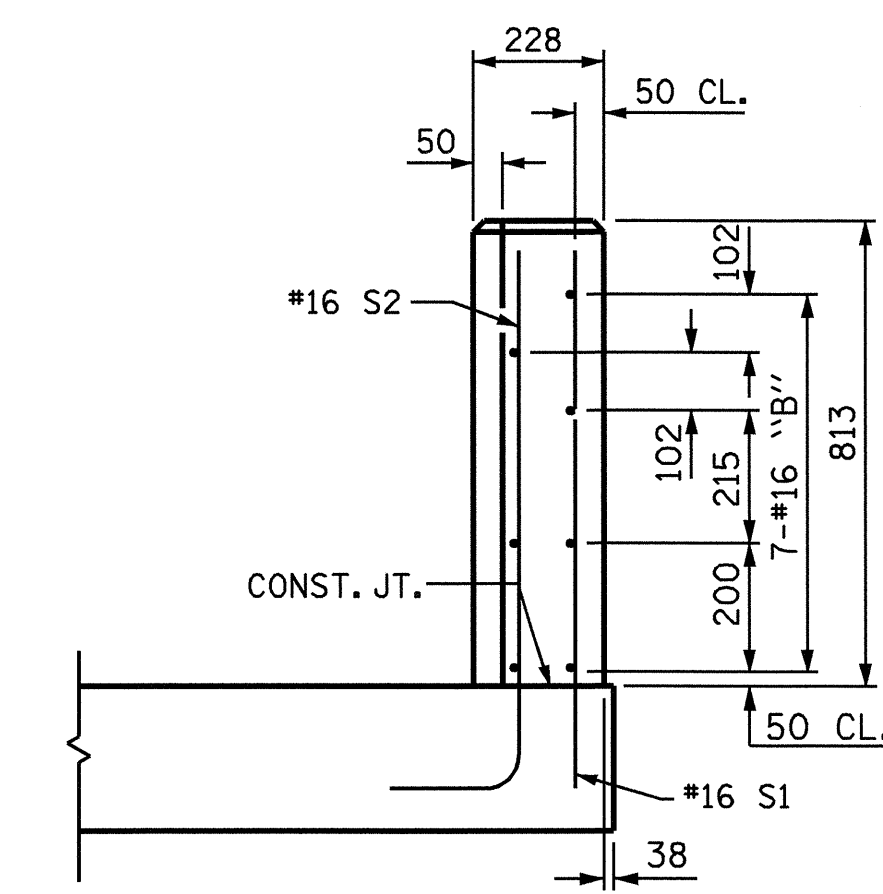
SKETCH SHOWING POINTS OF ATTACHMENT
* INDICATES POINTS OF ATTACHMENT



ELEVATION



SECTION M-M



END VIEW OF RAIL

ASSEMBLED BY : ZION J. RORIE	DATE : 7/20/04
CHECKED BY : P. ADKINS	DATE : 7/04
DRAWN BY : RWW 8/01	REV. 5/7/03 RWW/JTE
CHECKED BY : LES 8/01	

08-SEP-2004 12:02
W:\squad\2206c\Final Plans\Str. INR2206C.SD_AS..ll.dgn
doru+cher



PROJECT NO. R-2206C
LINCOLN-CATAWBA COUNTY
STATION: 256+91.000 -L-

SHEET 3 OF 4

STATE OF NORTH CAROLINA DEPARTMENT OF TRANSPORTATION RALEIGH					
BRIDGE APPROACH SLAB DETAILS FOR RIGID PAVEMENT WITH BARRIER RAIL LEFT LANE					
REVISIONS					
NO.	BY:	DATE:	NO.	BY:	DATE:
1			3		
2			4		
					SHEET NO. S-334
					TOTAL SHEETS 374