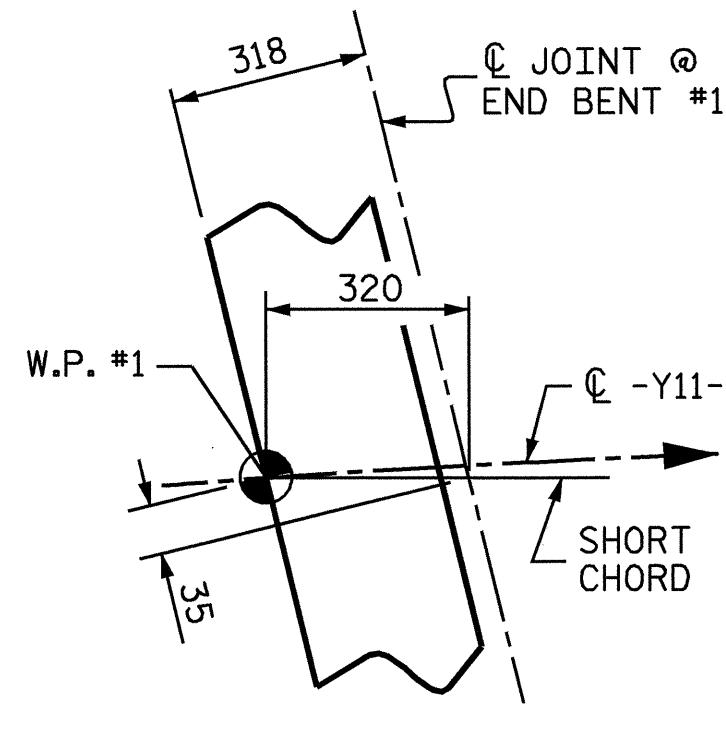
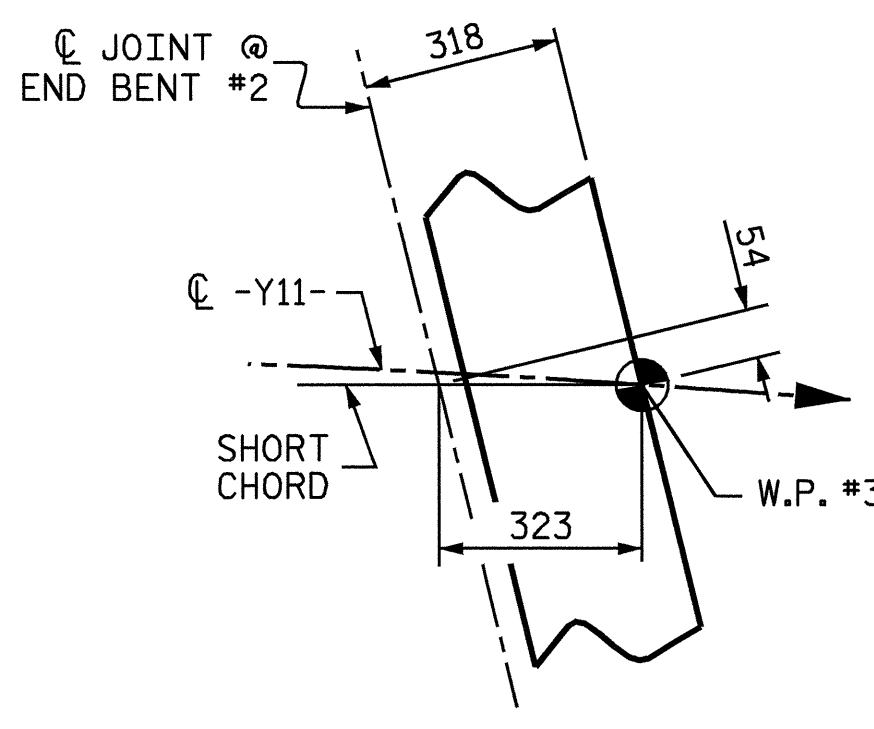


PLAN OF SPANS

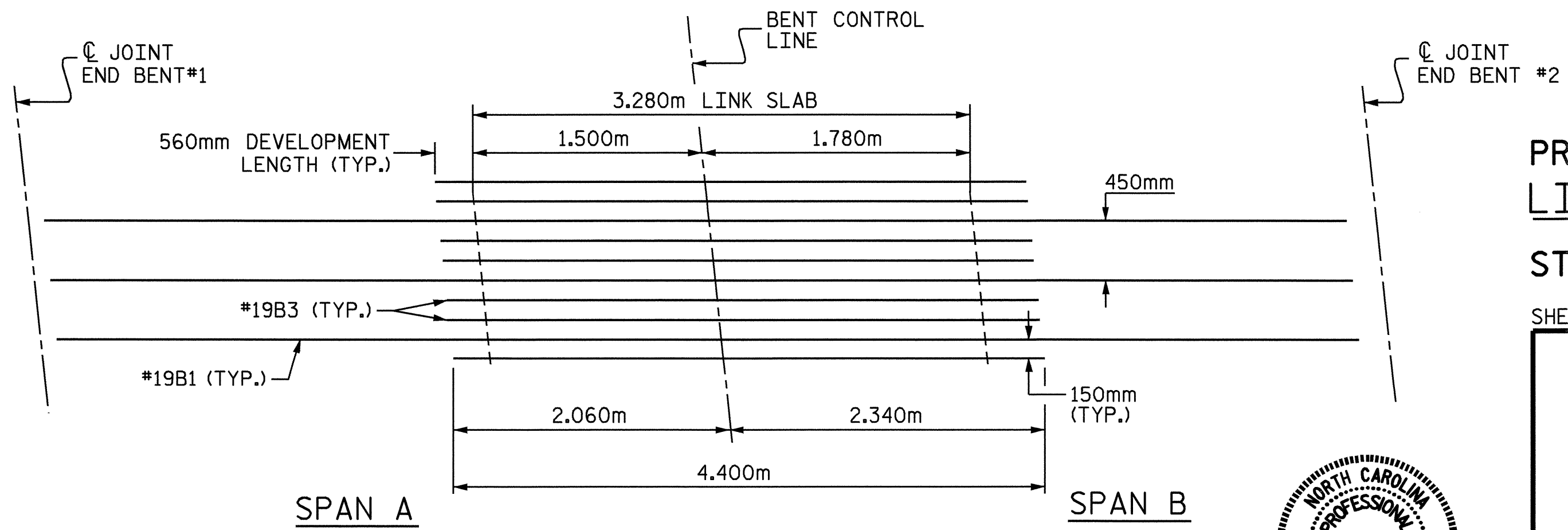
(SEE "FRAMING PLAN" SHEET FOR LOCATION OF INTERMEDIATE DIAPHRAGMS)



DETAIL "B"



DETAIL "C"



DETAIL "D"

(TOP OF SLAB REINFORCING STEEL)

PROJECT NO. R-2206C
 LINCOLN-CATAWBA COUNTY
 STATION: 195+74.885 -L-
 SHEET 1 OF 2

STATE OF NORTH CAROLINA
 DEPARTMENT OF TRANSPORTATION
 RALEIGH
 SUPERSTRUCTURE

PLAN OF SPANS



Emily E. Murray
9/8/04

DRAWN BY: M. M. PARSONS DATE: 9/03
 CHECKED BY: P. ADKINS DATE: 2/04

REVISIONS						SHEET NO.
NO.	BY:	DATE:	NO.	BY:	DATE:	
1			3			5-B
2			4			TOTAL SHEETS 374