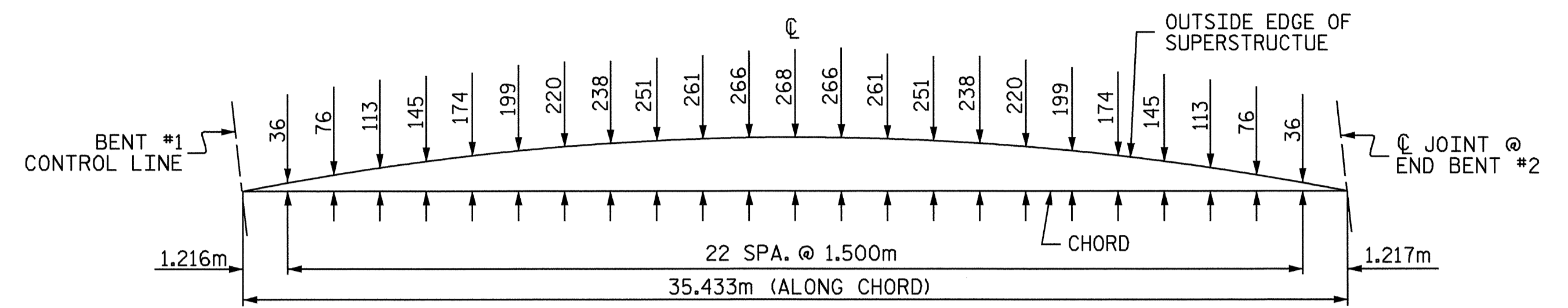
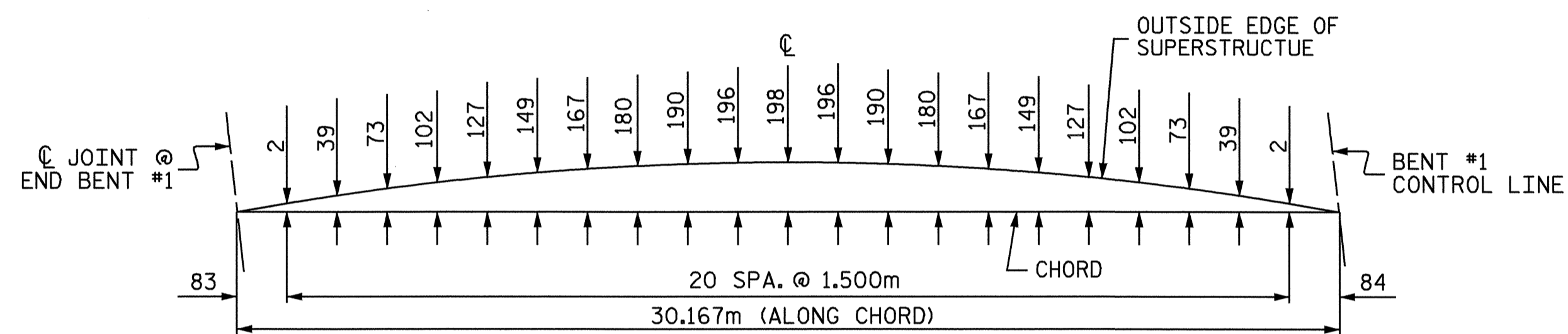


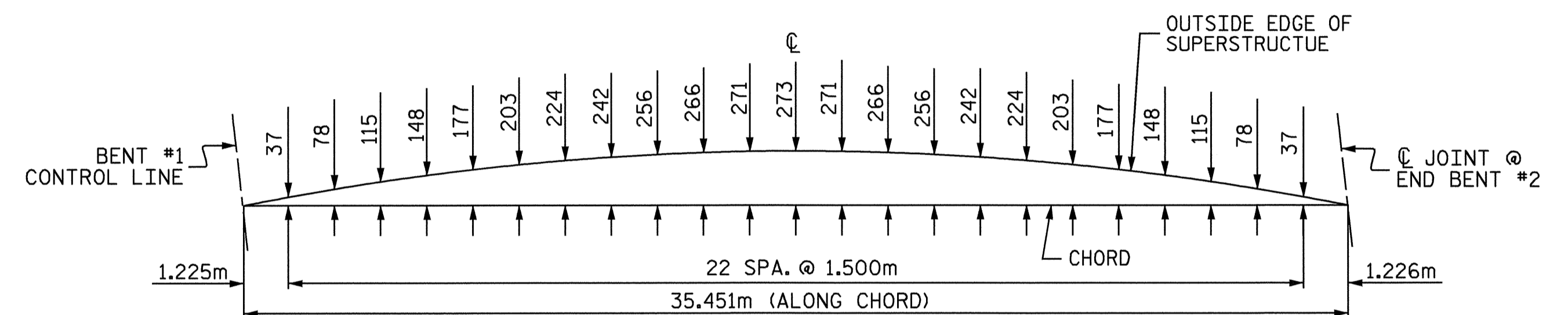
**ARC OFFSETS - SPAN A**  
(LEFT SIDE)



**ARC OFFSETS - SPAN B**  
(LEFT SIDE)



**ARC OFFSETS - SPAN A**  
(RIGHT SIDE)



**ARC OFFSETS - SPAN B**  
(RIGHT SIDE)

PROJECT NO. R-2206C  
LINCOLN-CATAWBA COUNTY  
 STATION: 195+74.885 -L-

SHEET 2 OF 2

STATE OF NORTH CAROLINA  
 DEPARTMENT OF TRANSPORTATION  
 RALEIGH

SUPERSTRUCTURE

PLAN OF SPAN  
 DETAILS



*Emily E. Murray*  
 9/8/04

DRAWN BY : M. M. PARSONS DATE : 9/03  
 CHECKED BY : P. ADKINS DATE : 2/04

REVISIONS					SHEET NO.
NO.	BY:	DATE:	NO.	BY:	DATE:
1			3		
2			4		

TOTAL SHEETS: 374