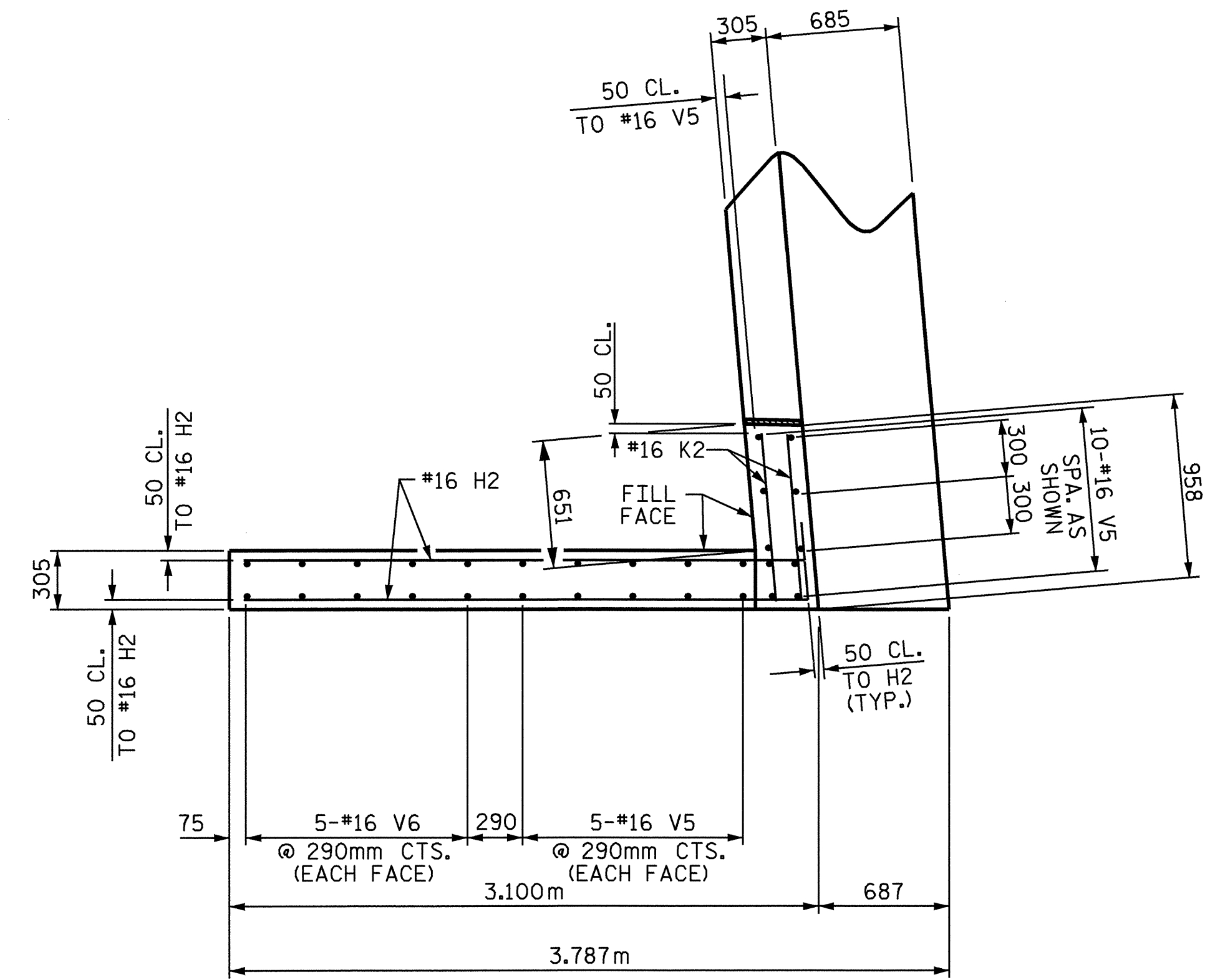
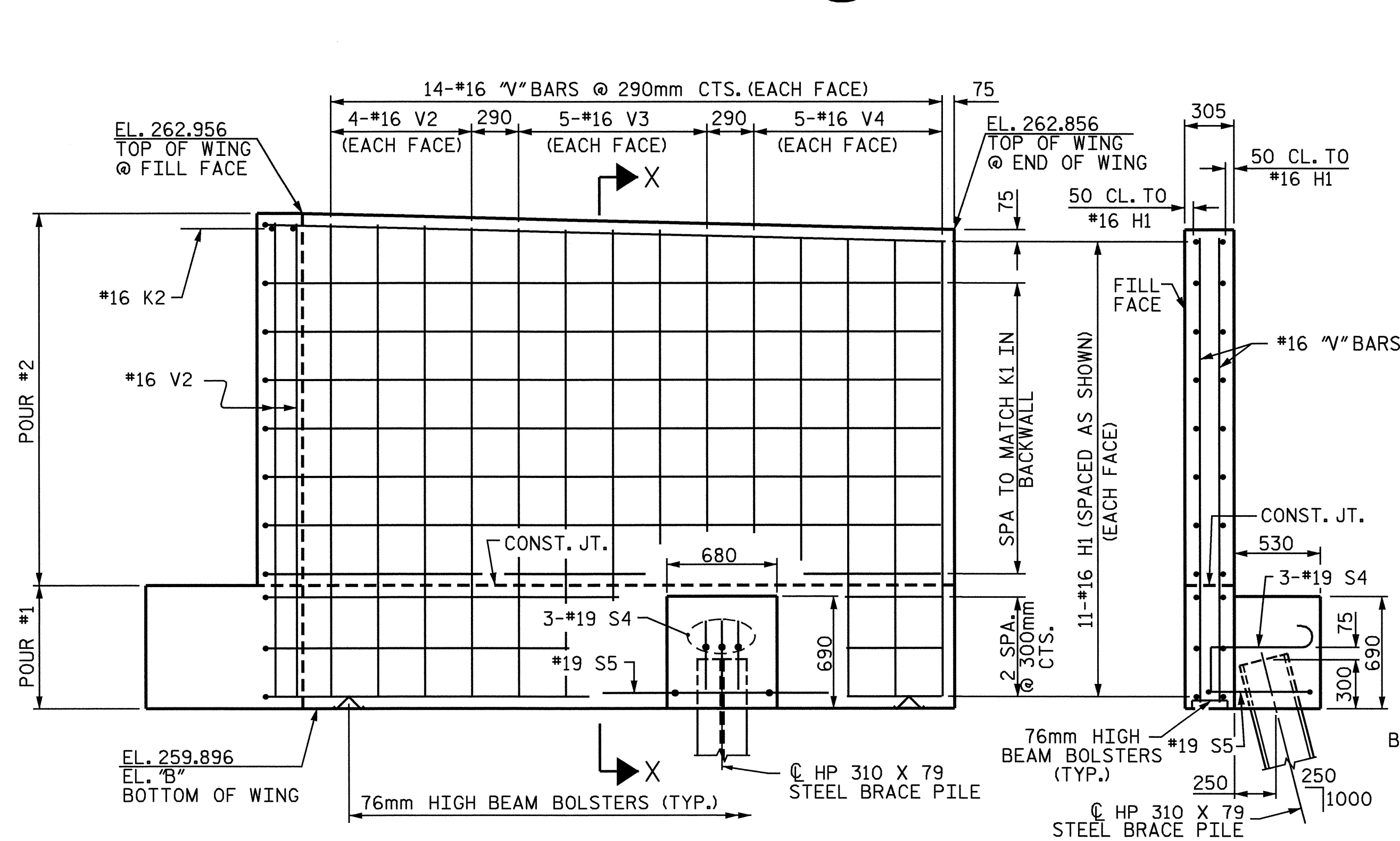


PLAN OF LEFT WING (W1)

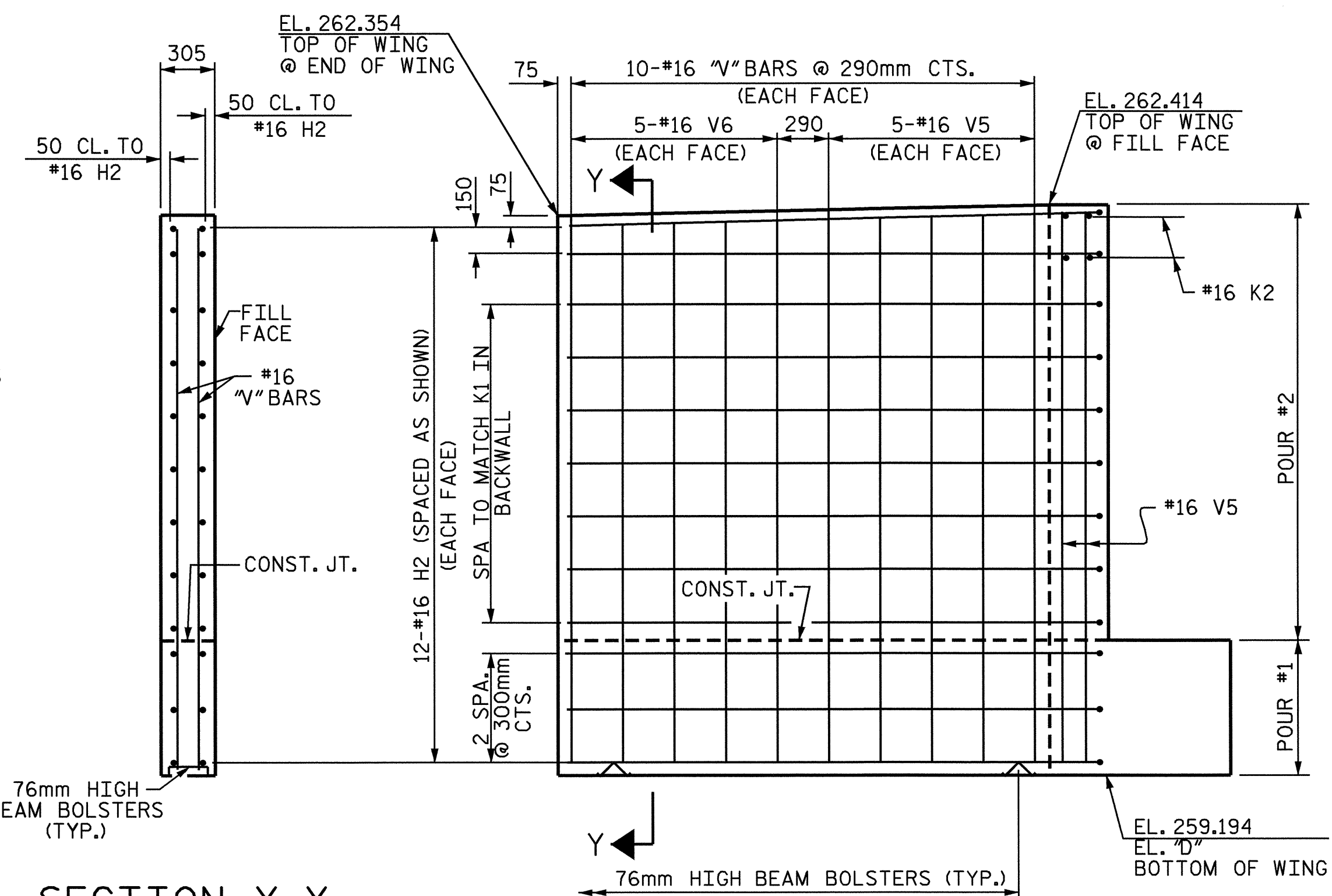


PLAN OF RIGHT WING (W2)

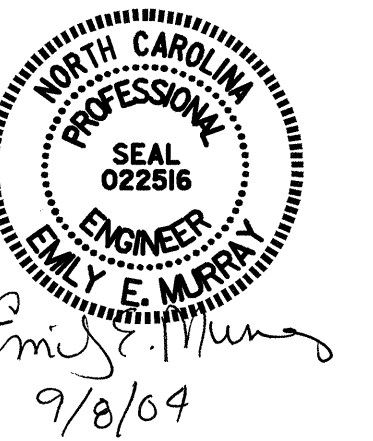


ELEVATION OF LEFT WING (W1)

SECTION X-X



ELEVATION OF RIGHT WING (W2)



PROJECT NO. R-2206C
 LINCOLN-CATAWBA COUNTY
 STATION: 195+74.885 -L-

SHEET 2 OF 3

STATE OF NORTH CAROLINA
 DEPARTMENT OF TRANSPORTATION
 RALEIGH

SUBSTRUCTURE
 END BENT #1

DRAWN BY: PEGGY ADKINS DATE: 11-03
 CHECKED BY: T. AVERETTE DATE: 1-04

31-AUG-2004 08:06
 W:\sq\ad\2206c\Final Plans\Str. \R2206C_SD_EL01.dgn
 dcrutcher

STR. #1

REVISIONS					SHEET NO.
NO.	BY:	DATE:	NO.	BY:	DATE:
1			3		
2			4		

TOTAL SHEETS: 374