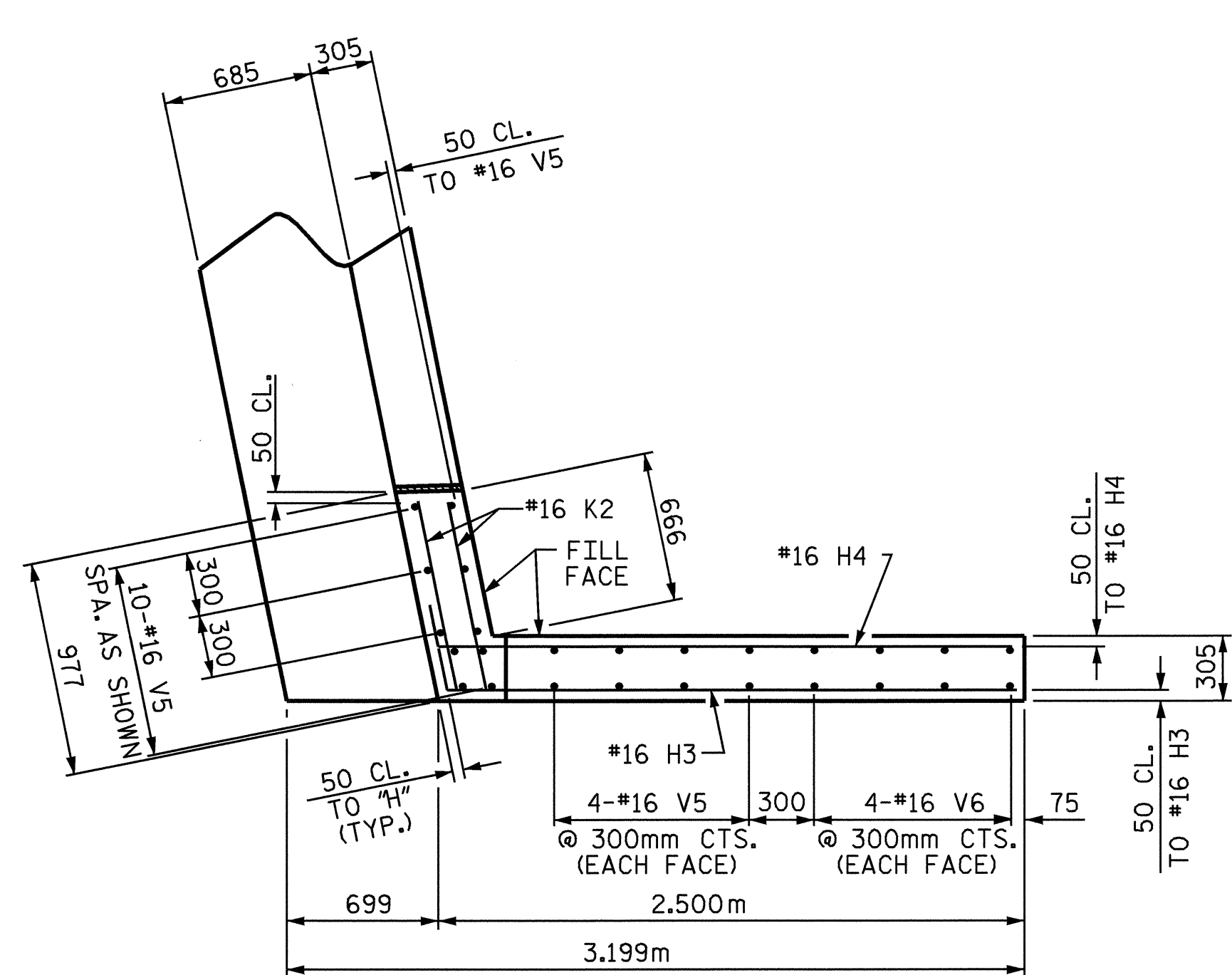
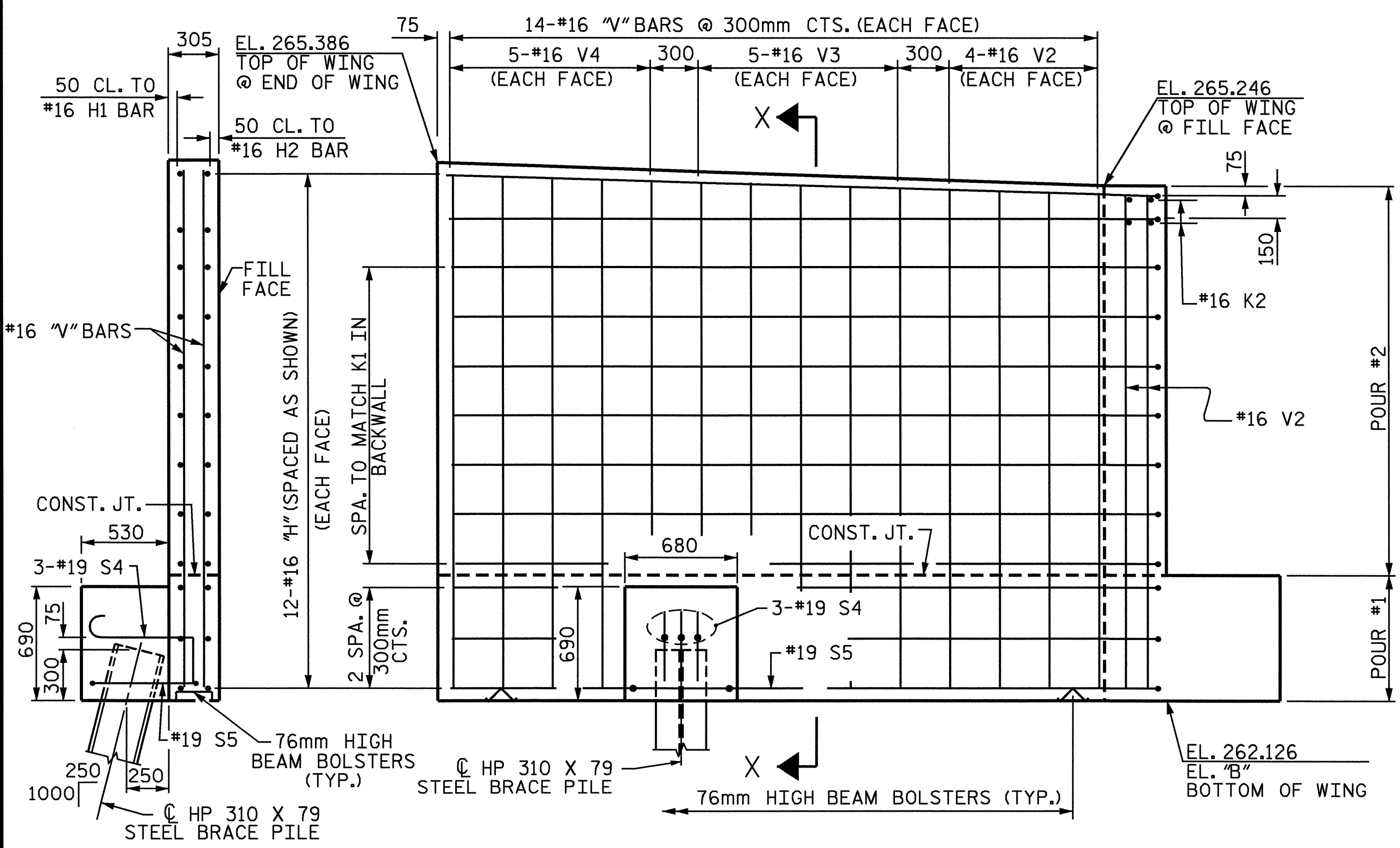


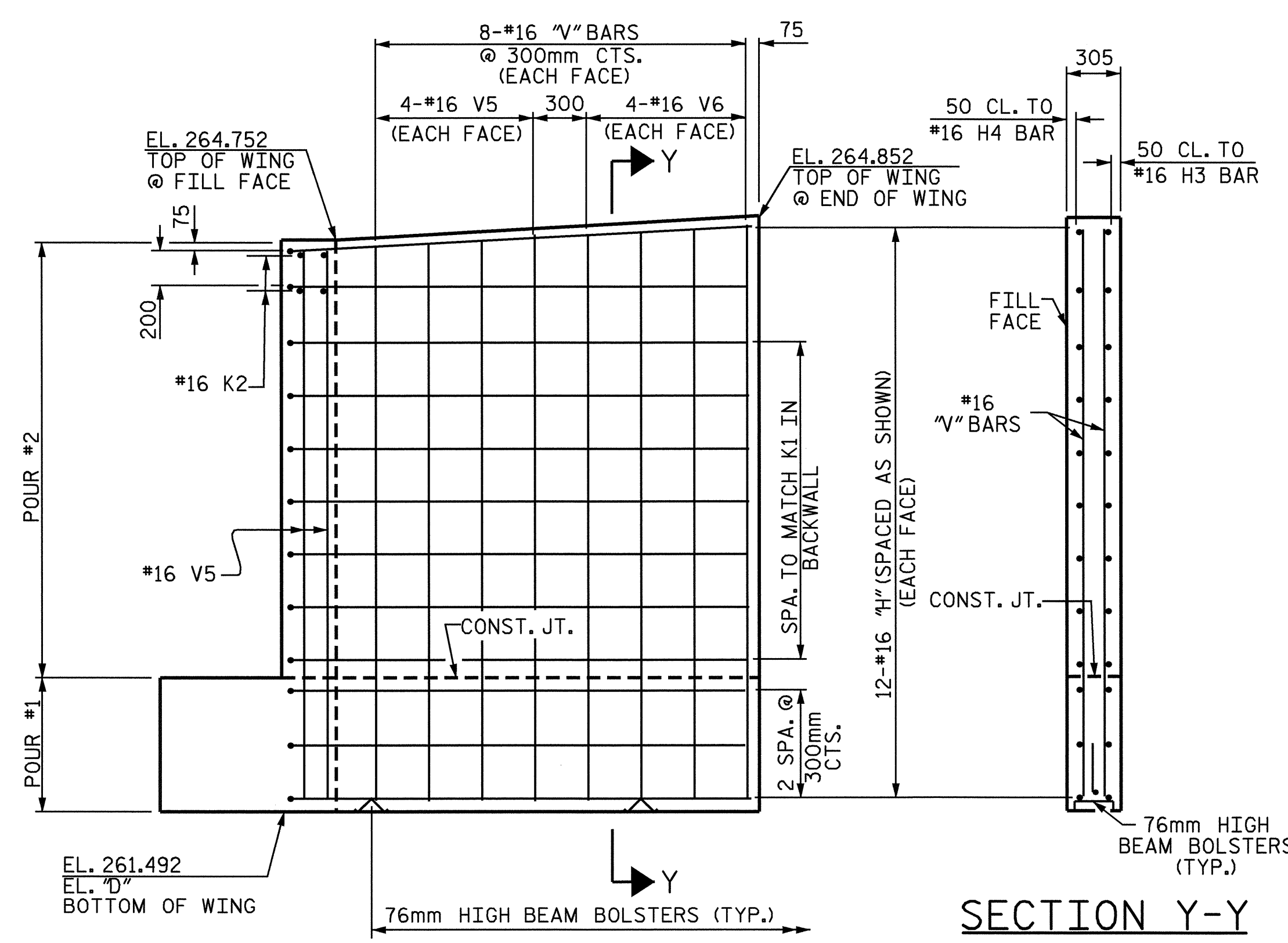
PLAN OF LEFT WING (W1)



PLAN OF RIGHT WING (W2)



ELEVATION OF LEFT WING (W1)

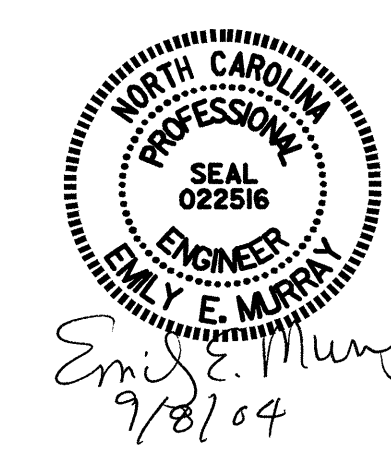


ELEVATION OF RIGHT WING (W2)

PROJECT NO. R-2206C
 LINCOLN-CATAWBA COUNTY
 STATION: 195+74.885 -L-

SHEET 2 OF 3

STATE OF NORTH CAROLINA
 DEPARTMENT OF TRANSPORTATION
 RALEIGH
 SUBSTRUCTURE
 END BENT #2



REVISIONS						SHEET NO.
NO.	BY:	DATE:	NO.	BY:	DATE:	3-24
1			3			TOTAL SHEETS
2			4			374

DRAWN BY: PEGGY ADKINS DATE: 11-03
 CHECKED BY: T. AVERETTE DATE: 1-04

31-AUG-2004 08:06
 W:\sqaddq\2206c\Final Plans\Str. \R2206C_SD_EL.01.dgn
 dorutcher

STR. #1