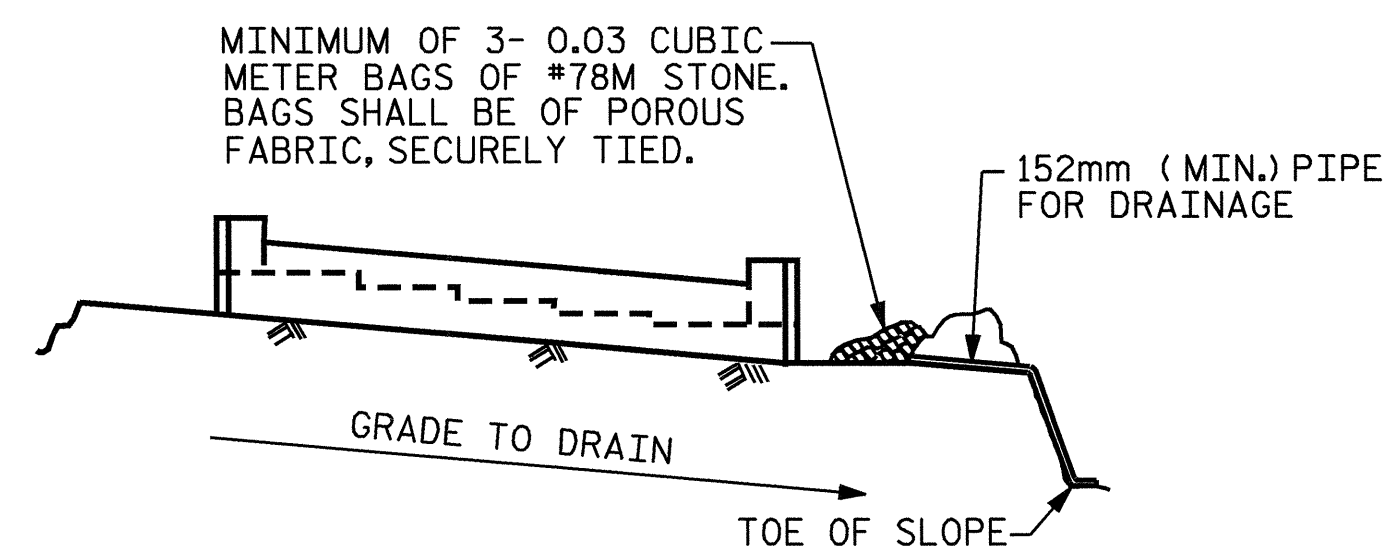


**SECTION A-A**



MINIMUM OF 3- 0.03 CUBIC METER BAGS OF #78M STONE. BAGS SHALL BE OF POROUS FABRIC, SECURELY TIED.

152mm (MIN.) PIPE FOR DRAINAGE

GRADE TO DRAIN

TOE OF SLOPE

BAGGED STONE AND PIPE SHALL BE PLACED IMMEDIATELY AFTER COMPLETION OF END BENT EXCAVATION. PIPE MAY BE EITHER CONCRETE, CORRUGATED STEEL, CORRUGATED ALUMINUM ALLOY, OR CORRUGATED PLASTIC. PERFORATED PIPE WILL NOT BE ALLOWED.

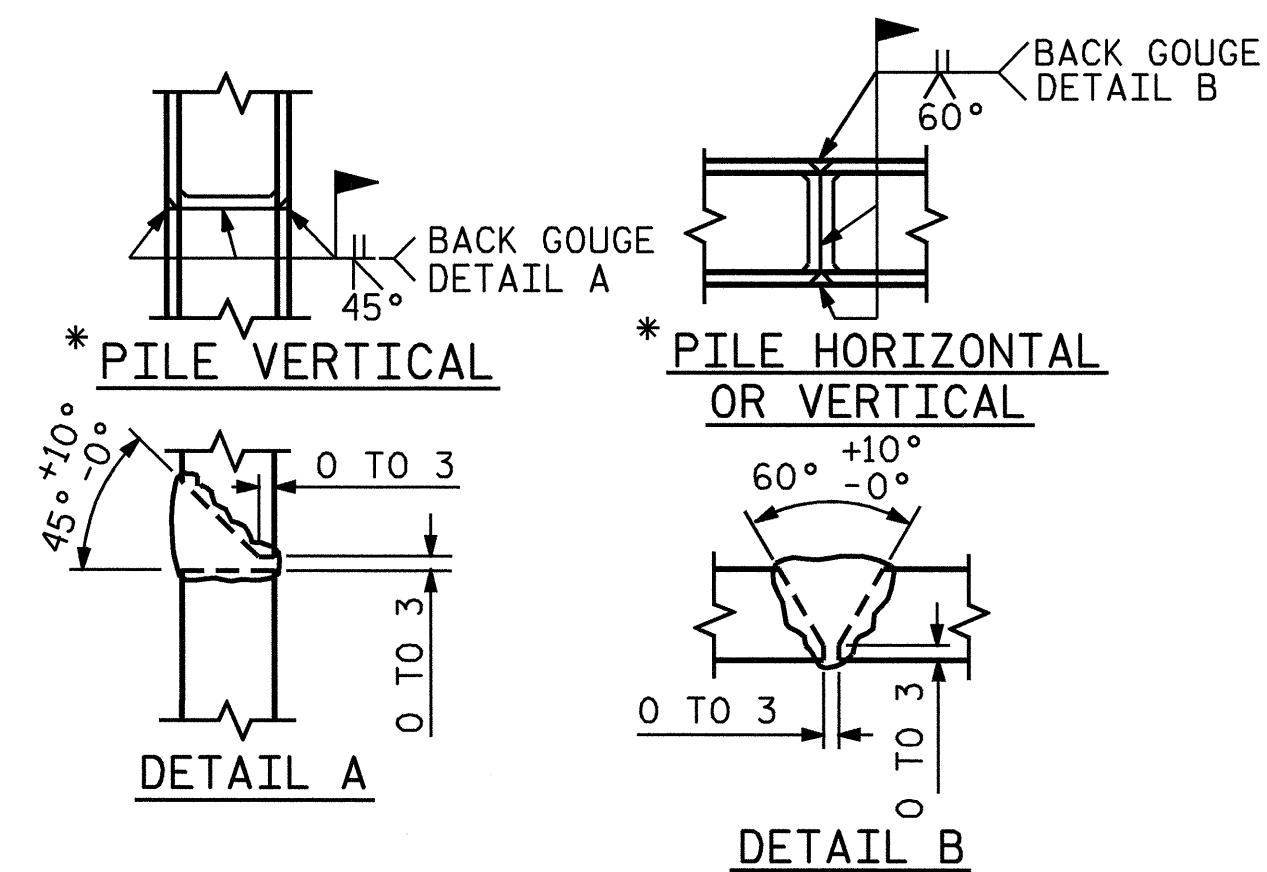
BAGGED STONE SHALL REMAIN IN PLACE UNTIL THE ENGINEER DIRECTS THAT IT BE REMOVED. THE CONTRACTOR SHALL REMOVE AND DISPOSE OF SILT ACCUMULATIONS AT BAGGED STONE WHEN SO DIRECTED BY THE ENGINEER. BAGS SHALL BE REMOVED AND REPLACED WHENEVER THE ENGINEER DETERMINES THAT THEY HAVE DETERIORATED AND LOST THEIR EFFECTIVENESS.

NO SEPARATE PAYMENT WILL BE MADE FOR THIS WORK AND THE ENTIRE COST OF THIS WORK SHALL BE INCLUDED IN THE UNIT CONTRACT PRICE BID FOR THE SEVERAL PAY ITEMS.

**TEMPORARY DRAINAGE AT END BENT**

DRAWN BY : PEGGY ADKINS DATE : 11-03  
 CHECKED BY : T. AVERETTE DATE : 1-04

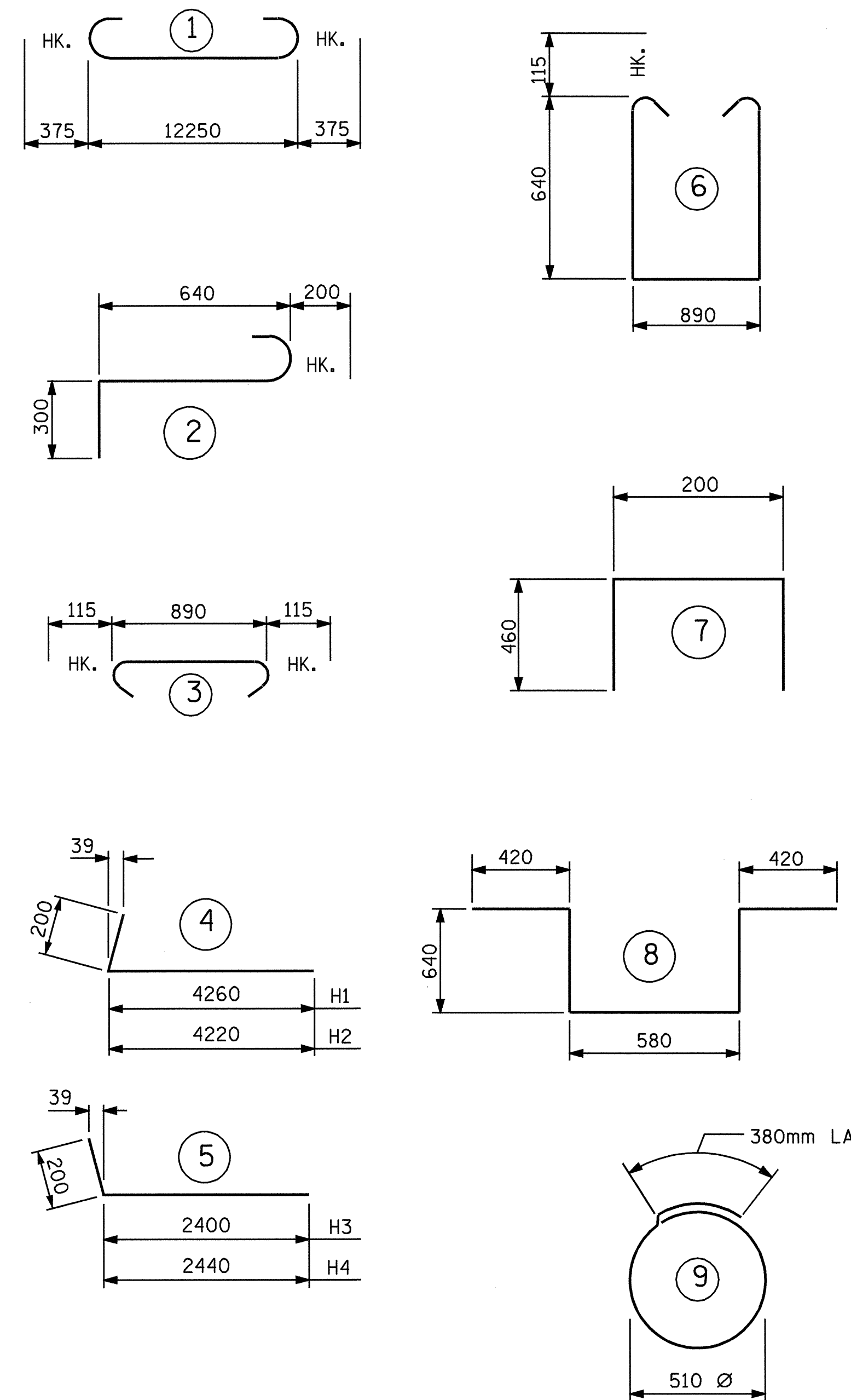
31-AUG-2004 08:06  
 W:\squadd\2206c\Final Plans\Str. \R2206C\_SD\_EL.01.dgn  
 dorutoher



**PILE SPLICE DETAILS**

\* POSITION OF PILE DURING WELDING.

**BAR TYPES**



ALL BAR DIMENSIONS ARE OUT TO OUT.

**BILL OF MATERIAL**

**END BENT NO. 2**

BAR	NO.	SIZE	TYPE	LENGTH	WEIGHT
B1	10	29	1	13000	658
B2	2	16	STR	12280	38
B3	8	13	STR	6520	52
B4	10	13	STR	880	9
H1	12	16	4	4460	83
H2	12	16	4	4420	82
H3	12	16	5	2600	48
H4	12	16	5	2640	49
K1	28	13	STR	6520	181
K2	8	16	STR	860	11
S1	45	13	6	2400	107
S2	45	13	3	1120	50
S3	16	13	9	1980	31
S4	3	19	2	1140	8
S5	1	19	8	2700	6
U1	35	13	7	1120	39
V1	70	16	STR	2660	289
V2	18	16	STR	3000	84
V3	10	16	STR	3040	47
V4	10	16	STR	3100	48
V5	18	16	STR	3120	87
V6	8	16	STR	3180	39

REINFORCING STEEL 2046 kg

**CLASS "A" CONCRETE BREAKDOWN**

POUR #1 (CAP, WING BRACE PILE FTG. AND LOWER WINGS) 11.2 CU. METER

POUR #2 (UPPER WINGS & BACKWALL) 12.6 CU. METER

CLASS "A" CONCRETE TOTAL 23.8 CU. METER

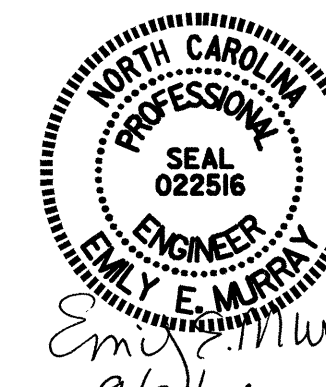
HP 310 X 79 STEEL PILES NO. 9 116.5 METERS

PROJECT NO. R-2206C  
 LINCOLN-CATAWBA COUNTY  
 STATION: 195+74.885 -L-

SHEET 3 OF 3

STATE OF NORTH CAROLINA  
 DEPARTMENT OF TRANSPORTATION  
 RALEIGH

**SUBSTRUCTURE  
 END BENT #2**



REVISIONS				SHEET NO.
NO.	BY:	DATE:	NO.	DATE:
1			3	
2			4	

8-25  
 TOTAL SHEETS  
 374

STR. #1