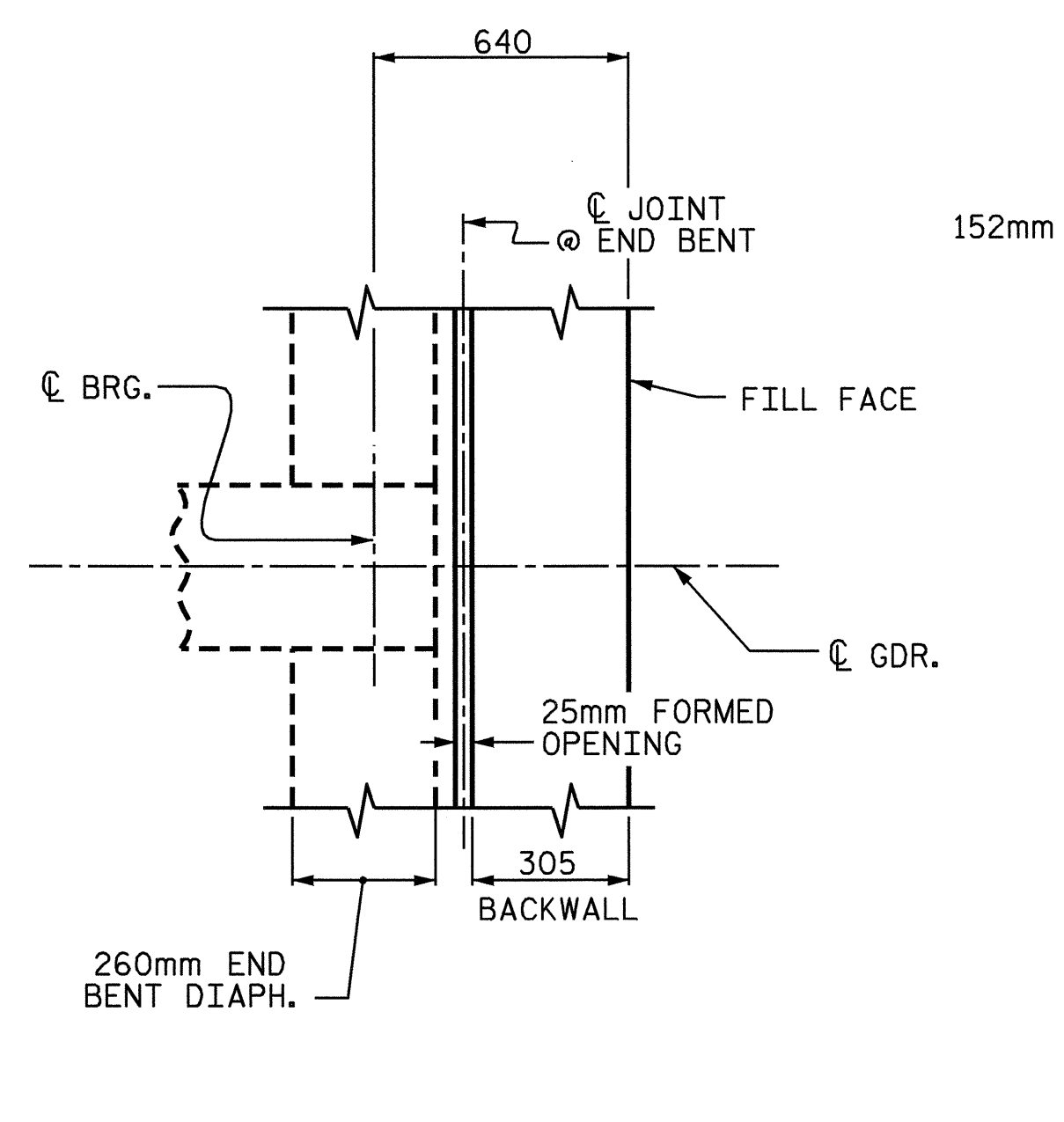
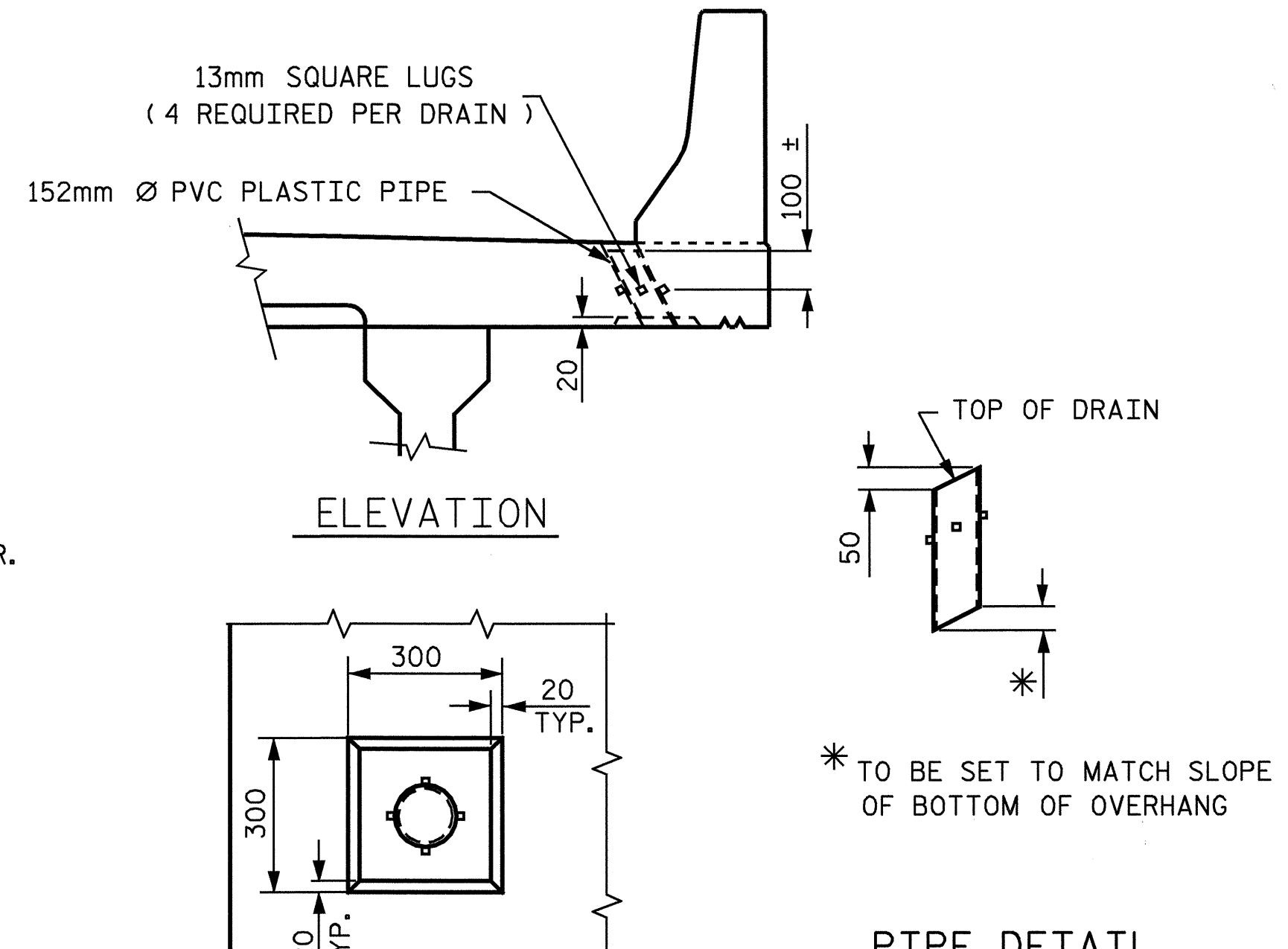


BENT DIAPHRAGM BLOCK-OUT DETAIL



PLAN OF END BENT DIAPHRAGM



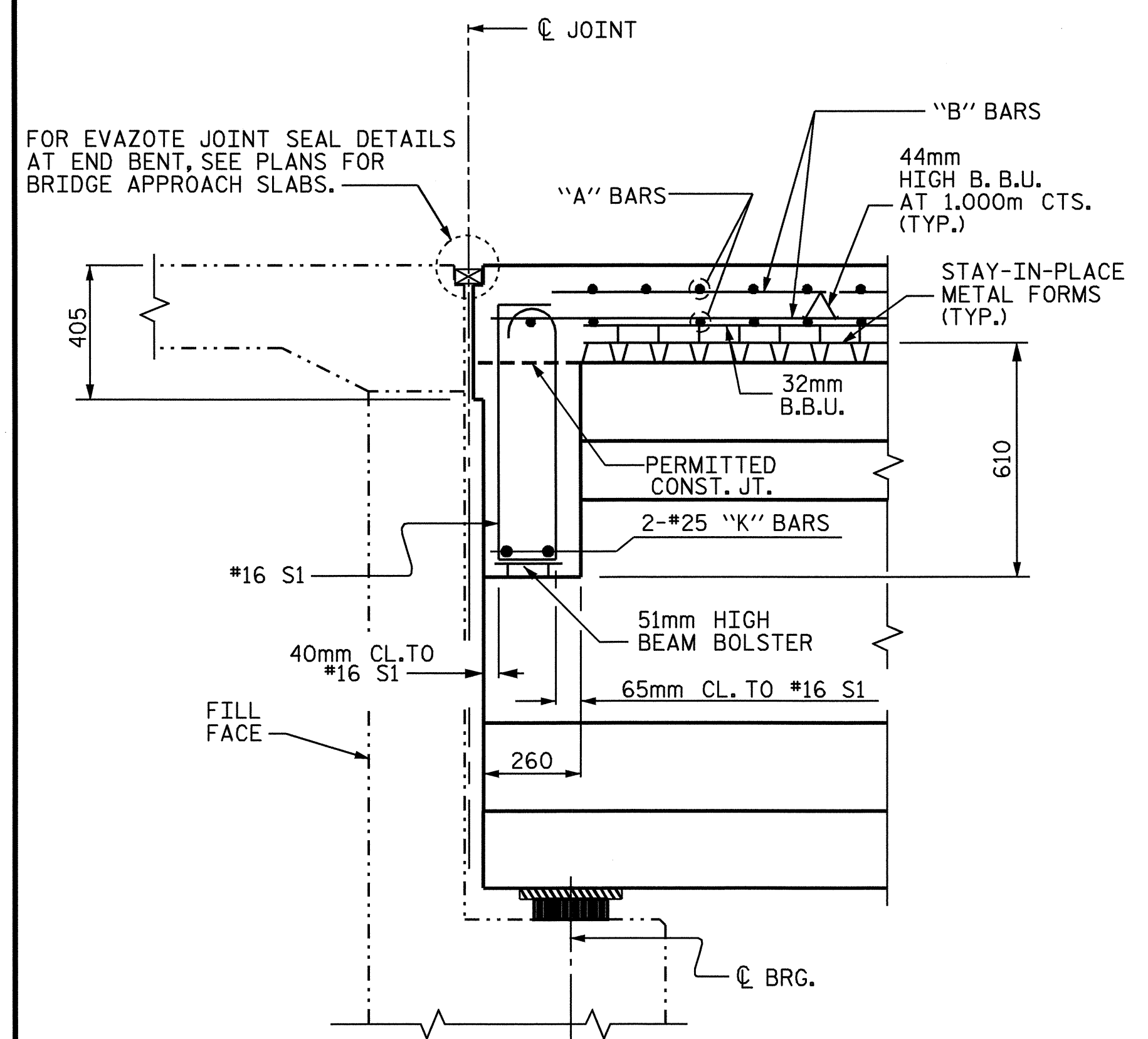
PIPE DETAIL

TOP OF FLOOR DRAINS TO SET 10mm BELOW SURFACE OF SLAB.

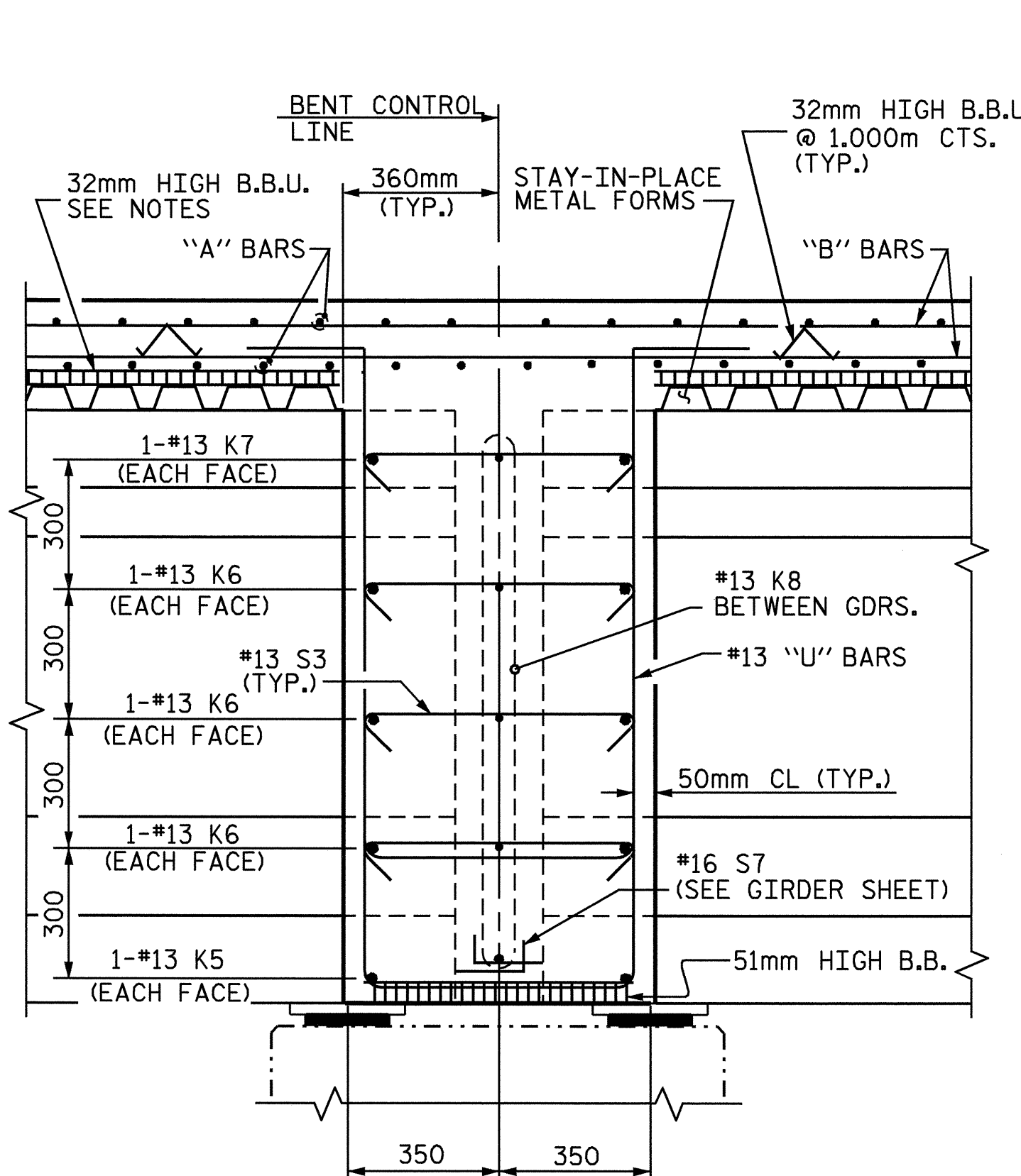
4 - 13mm SQUARE LUGS TO BE GLUED TO THE PVC PLASTIC PIPE AT EQUAL SPACES AROUND THE PIPE DRAIN APPROXIMATELY 100mm FROM THE TOP OF THE PIPE.

THE 152mm Ø PVC PIPE AND FITTINGS SHALL BE SCHEDULE 40 AND CONFORM TO ASTM D1785.

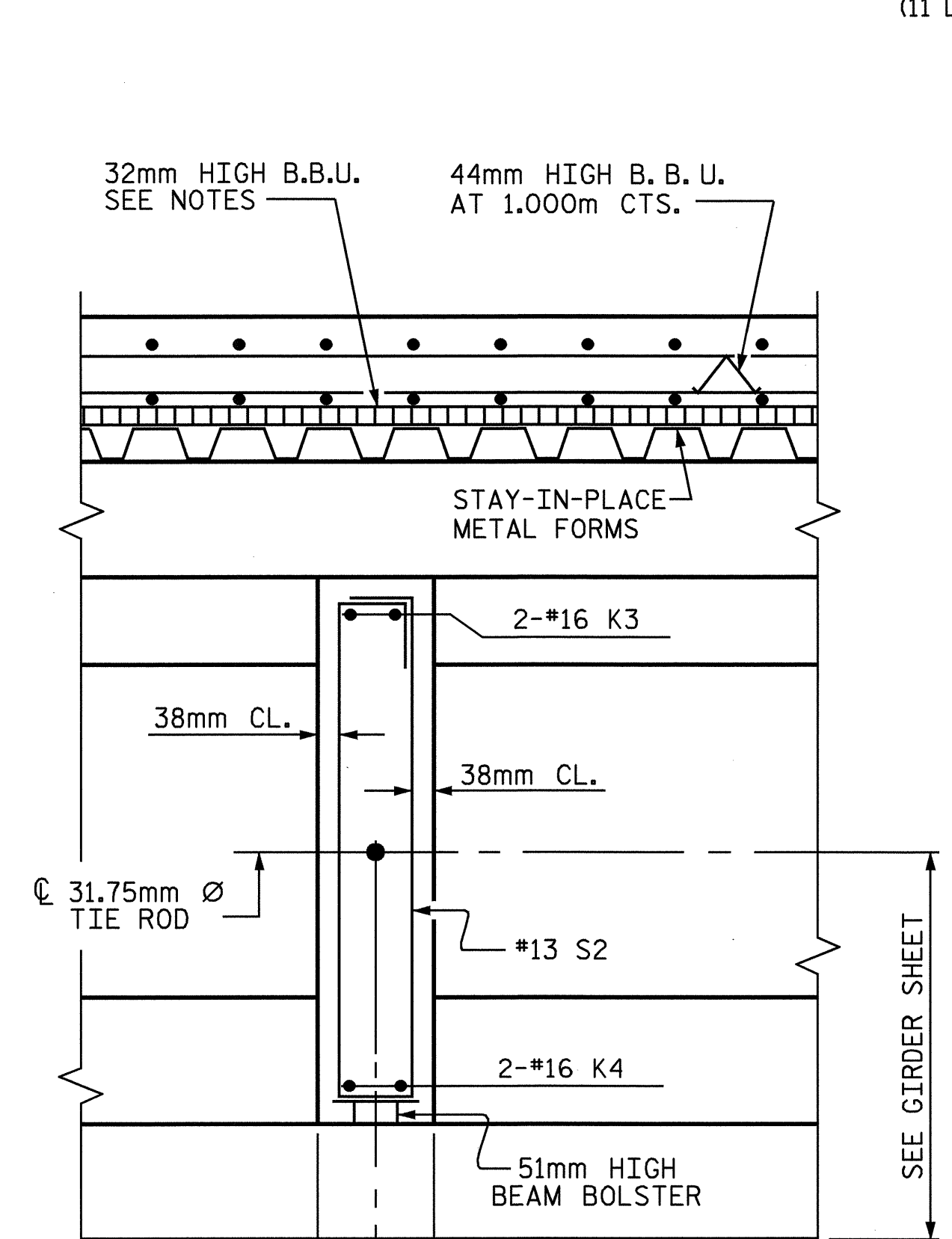
DRAIN DETAILS
(11 DRAINS REQUIRED)



SECTION THRU END BENT DIAPHRAGM



SECTION THRU BENT DIAPHRAGM



SECTION THRU INTERMEDIATE DIAPHRAGM

PROJECT NO. R-2206C
LINCOLN-CATAWBA COUNTY
 STATION: 199+48.000-L-

SHEET 2 OF 2

STATE OF NORTH CAROLINA
 DEPARTMENT OF TRANSPORTATION
 RALEIGH
 SUPERSTRUCTURE
 TYPICAL SECTION
 DETAILS
 LEFT LANE

REVISIONS						SHEET NO.	
NO.	BY:	DATE:	NO.	BY:	DATE:	S-37	
1			3			TOTAL SHEETS	
2			4			374	



DRAWN BY: M.D.PISO DATE: 6/03
 CHECKED BY: M.M.PARSONS DATE: 9/03