

PLAN OF SPAN "A"
 *RADIAL DIMENSION

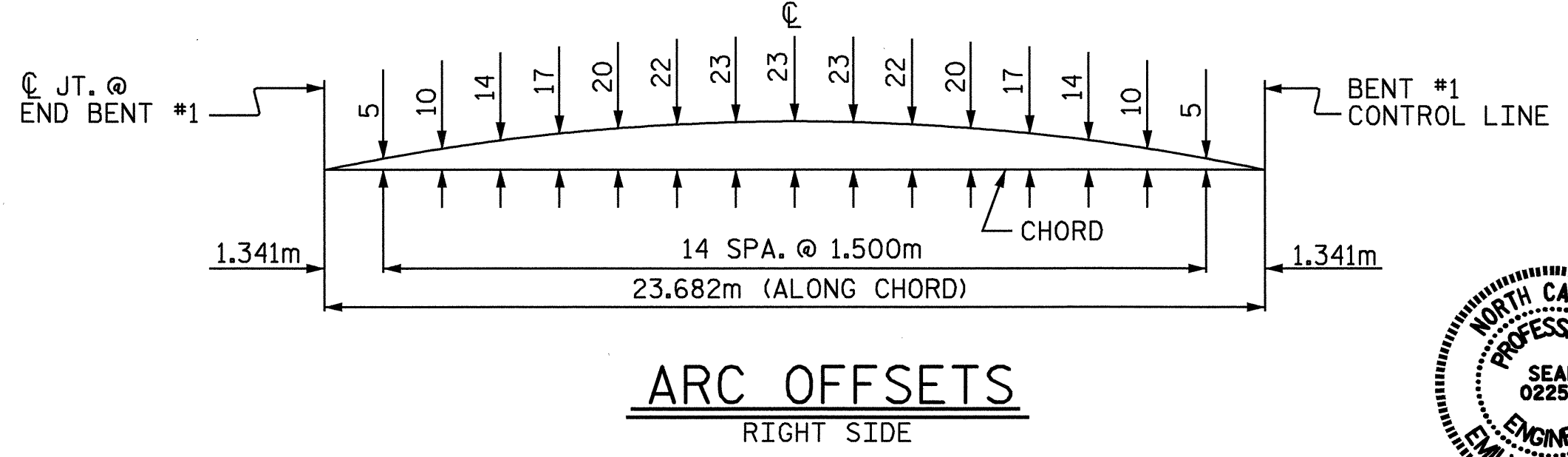
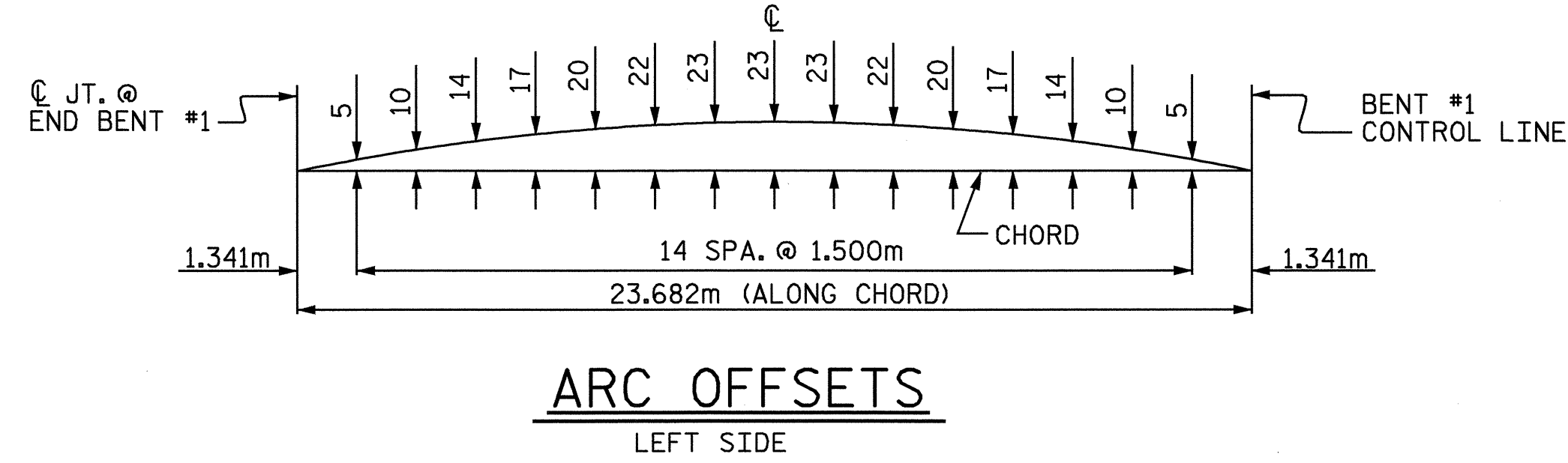
PROJECT NO. R-2206C
 LINCOLN-CATAWBA COUNTY
 STATION: 199+48.000-L-

SHEET 1 OF 3

STATE OF NORTH CAROLINA
 DEPARTMENT OF TRANSPORTATION
 RALEIGH

SUPERSTRUCTURE
 PLAN OF SPAN "A"
 LEFT LANE

REVISIONS						SHEET NO.
NO.	BY:	DATE:	NO.	BY:	DATE:	S-38
1			3			TOTAL SHEETS 374
2			4			



DRAWN BY: M.D.PISO DATE: 9/03
 CHECKED BY: M.M.PARSONS DATE: 9/03