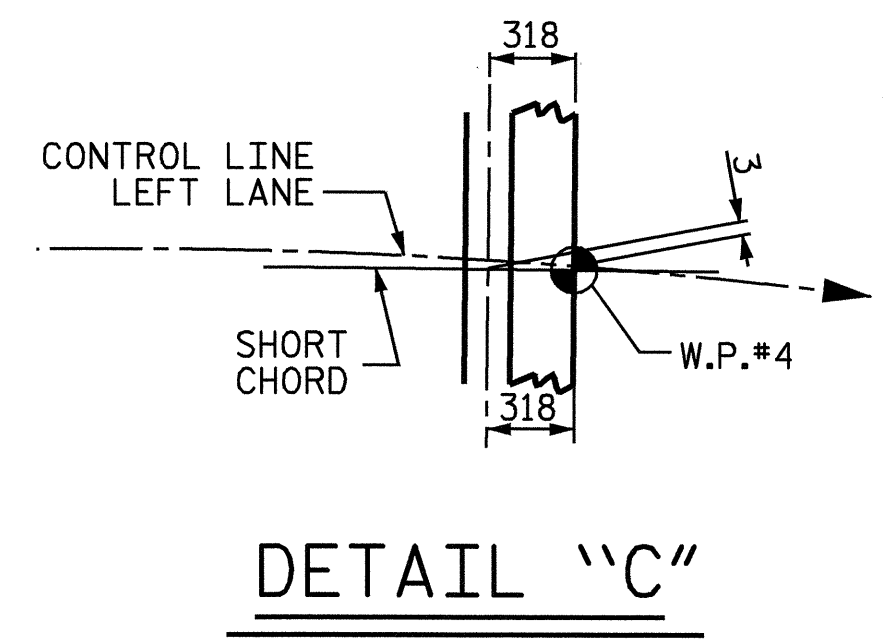
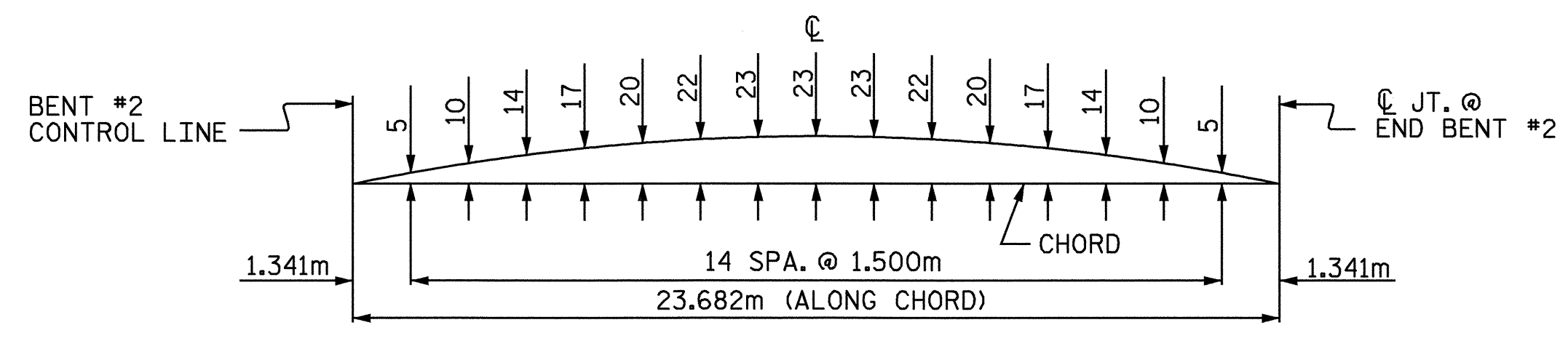


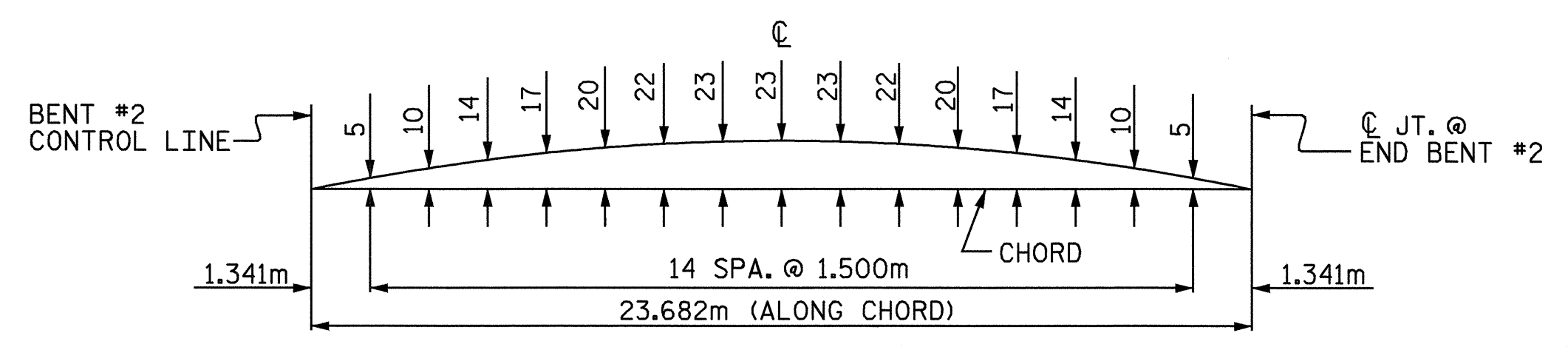
PLAN OF SPAN "C"
* RADIAL DIMENSION



DETAIL "C"



ARC OFFSETS
LEFT SIDE

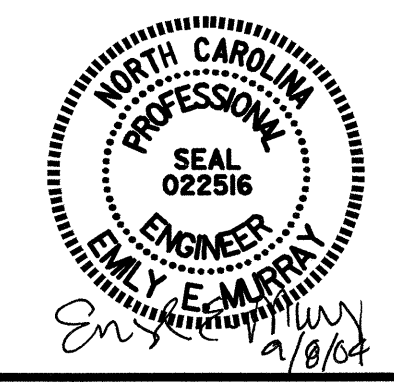


ARC OFFSETS
RIGHT SIDE

PROJECT NO. R-2206C
LINCOLN-CATAWBA COUNTY
 STATION: 199+48.000-L-

SHEET 3 OF 3

STATE OF NORTH CAROLINA
 DEPARTMENT OF TRANSPORTATION
 RALEIGH
 SUPERSTRUCTURE
PLAN OF SPAN "C"
 LEFT LANE



REVISIONS						SHEET NO.
NO.	BY:	DATE:	NO.	BY:	DATE:	S-40
1			3			TOTAL SHEETS
2			4			374

DRAWN BY: M.D. PISO DATE: 9/03
 CHECKED BY: M.M. PARSONS DATE: 9/03